

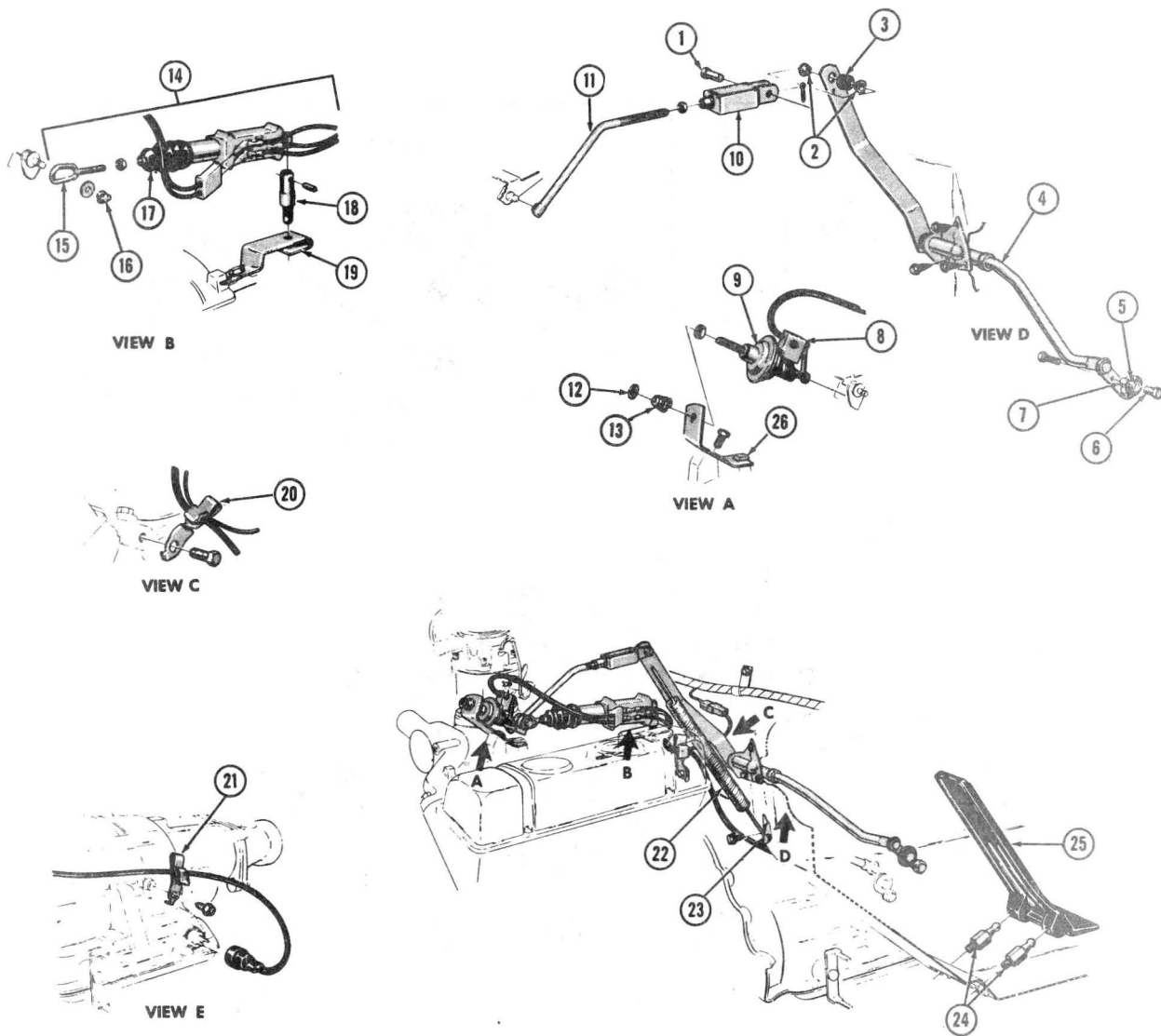
GROUP 3.000

FUEL EXHAUST—

CARBURETION

ILLUSTRATION INDEX

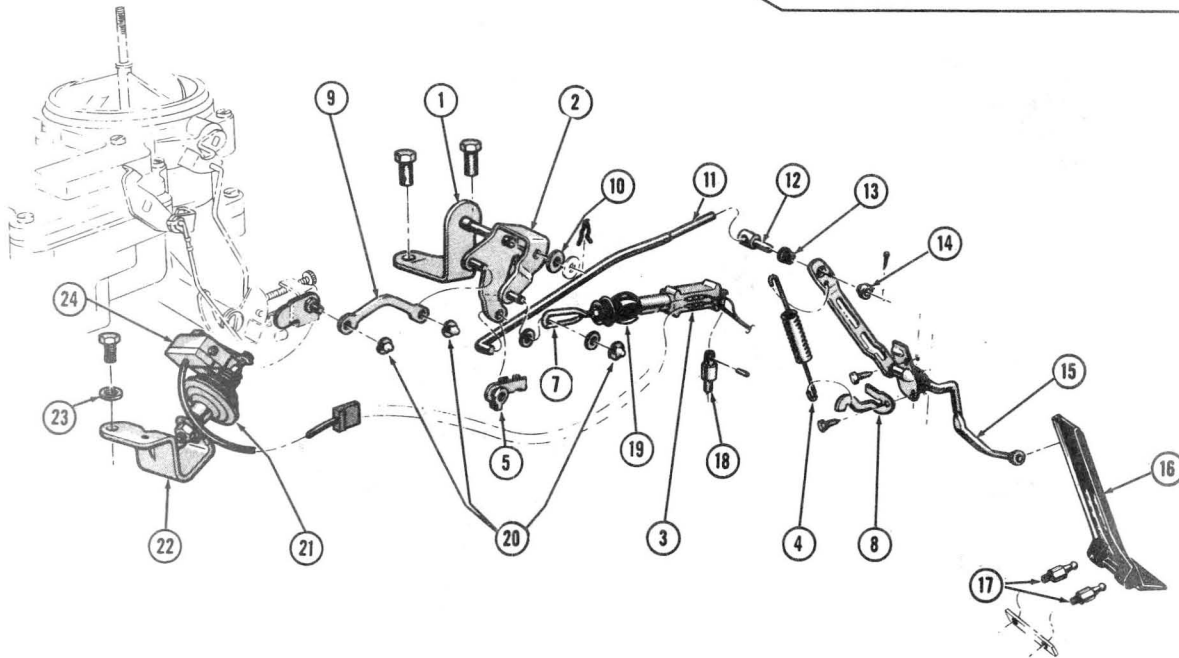
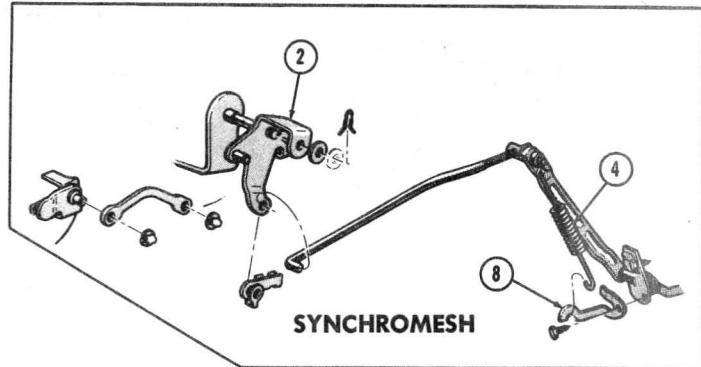
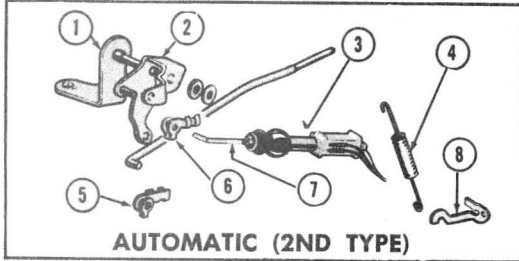
Description	Illust. No.
THROTTLE CONTROL	1-11
1968 FUEL TANK GAUGE UNITS	12
FUEL TANK MOUNTING	13
CRUISE CONTROL	14-17
EXHAUST MANIFOLD AND HOT AIR SHROUD	18
CARBURETOR AND CHOKE AIR PIPES	19
EMISSION SYSTEMS	20-24
EXHAUST SYSTEMS	
GROUP 3.725 CARBURETOR CHARTS	
ROCHESTER CARBURETOR	1-93



**1965 V-6 THROTTLE CONTROL
(TYPICAL)**

Key	Description	Group
1	Pin, Rod to Operating Lever Clevis	3.430
2	Sleeve, Throttle Operating Rod to Operating Lever	3.454
3	Bushing, Throttle Operating Lever to Throttle Rod Clevis ..	3.453
4	Lever, Throttle Opening	3.453
5	Roller, Throttle Operating Lever	3.453
6	Shaft, Throttle Operating Lever Intermediate Roller	3.453
7	Sleeve, Throttle Operating Intermediate Roller	3.453
8	Switch, Carburetor Slow Idle	3.440
9	Dash Pot and Switch, Carburetor Slow Idle	3.440
10	Clevis, Throttle Operating Rod	3.425
11	Rod, Throttle Operating	3.430
12	Retainer, Dash Pot and Switch to Mounting Bracket	3.440
13	Spring, Dash Pot and Switch	3.440

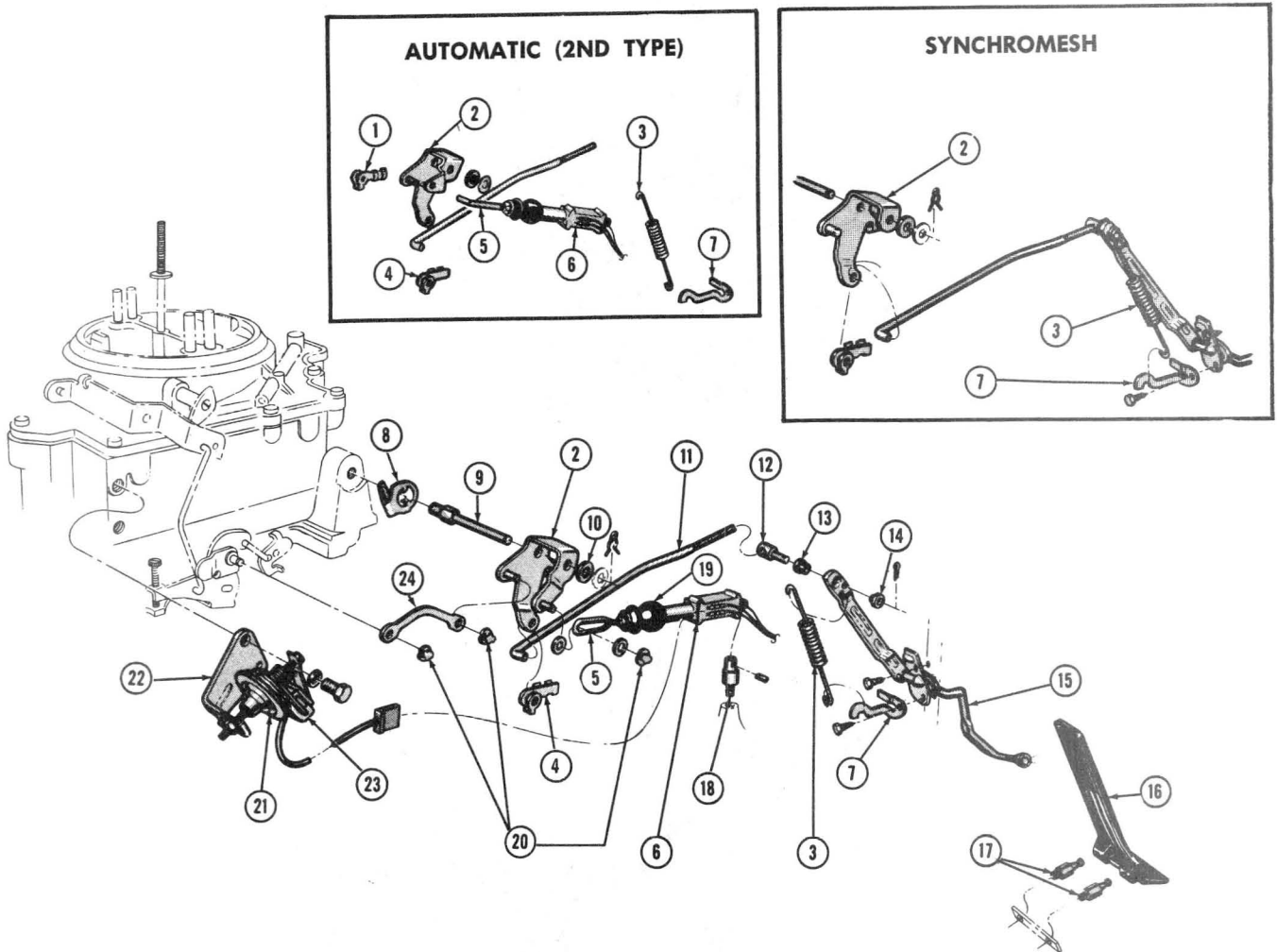
Key	Description	Group
14	Switch, Transmission Throttle Control	4.057
15	Link, Transmission Control Switch Mounting	4.060
16	Fastener Throttle Switch to Auxiliary Bellcrank	3.425
17	Boot, Transmission Throttle Control Switch	4.060
18	Stud, Throttle Switch Control	4.060
19	Bracket, Transmission Control Switch	4.060
20	Clip, Transmission Control Switch Cable	4.060
21	Clip, Down Shift Cable to Transmission Case	4.060
22	Spring, Throttle Return	3.459
23	Clip, Throttle Return Spring	3.465
24	Stud, Accelerator Pedal Anchor Plate	3.452
25	Pedal, Accelerator	3.451
26	Bracket, Dash Pot and Switch Mounting	3.444



1964 2-BC THROTTLE CONTROL

Key	Description	Group
1	Bracket, Auxiliary Bellcrank	3.463
2	Bellcrank, Auxiliary	3.463
3	Switch, Transmission Throttle Control	4.057
4	Spring, Throttle Return	3.459
5	Clip, Accelerator Lever Rod to Auxiliary Bellcrank	3.425
6	Fastener, Throttle Link to Auxiliary Bellcrank and Carburetor Lever	3.425
7	Link, Transmission Control Switch Mounting	4.060
8	Bracket, Accelerator Pull Back Spring	3.459
9	Rod, Throttle Control Aux. Bellcrank to Carburetor	3.430
10	Washer, Auxiliary Bellcrank to Bracket	3.463
11	Rod, Auxiliary Bellcrank to Accelerator Lever	3.430
12	Swivel, Accelerator Pedal Lever	3.425

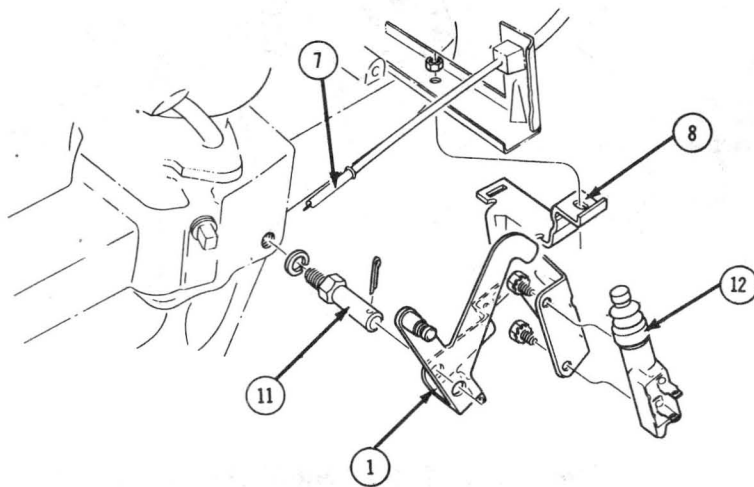
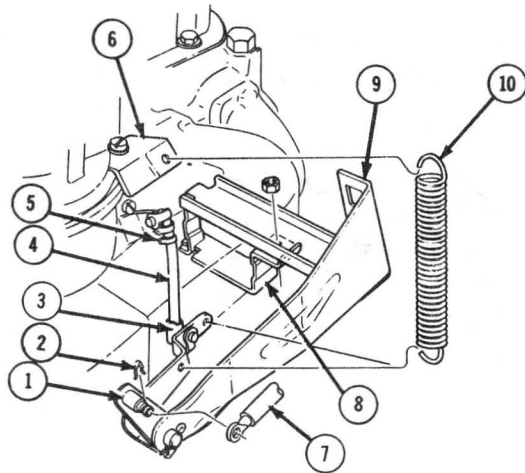
Key	Description	Group
13	Bushing, Accelerator Pedal Lever	3.425
14	Sleeve, Lever	3.425
15	Rod and Support, Accelerator Pedal	3.454
16	Pedal, Accelerator	3.451
17	Stud, Accelerator Pedal Anchor Plate	3.452
18	Stud, Throttle Switch Control	4.060
19	Boot, Transmission Throttle Control Switch	4.060
20	Fastener, Throttle Switch to Auxiliary Bellcrank	3.425
21	Dash Pot and Switch Assembly, Carburetor Slow Idle ..	3.440
22	Bracket, Dash Pot—Includes Switch	3.444
23	Washer, Dash Pot to Manifold	3.275
24	Switch, Carburetor Slow Idle	3.440



1965 V-8 4-BC THROTTLE CONTROL

Key	Description	Group
1	Fastener, Throttle Link to Auxiliary Bellcrank and Carburetor Lever	3.425
2	Bellcrank, Auxiliary	3.463
3	Spring, Throttle Return	3.459
4	Clip, Accelerator Lever Rod to Auxiliary Bellcrank	3.425
5	Link, Transmission Control Switch Mounting	4.060
6	Switch, Transmission Throttle Control	4.057
7	Bracket, Accelerator Pull Back Spring	3.459
8	Lock, Throttle Control Auxiliary Bellcrank Stud	3.463
9	Stud, Throttle Control Bellcrank and Downshift Lever Auxiliary—4BC	3.463
10	Washer, Auxiliary Bellcrank to Bracket	3.463
11	Rod, Auxiliary Bellcrank to Accelerator Lever	3.430

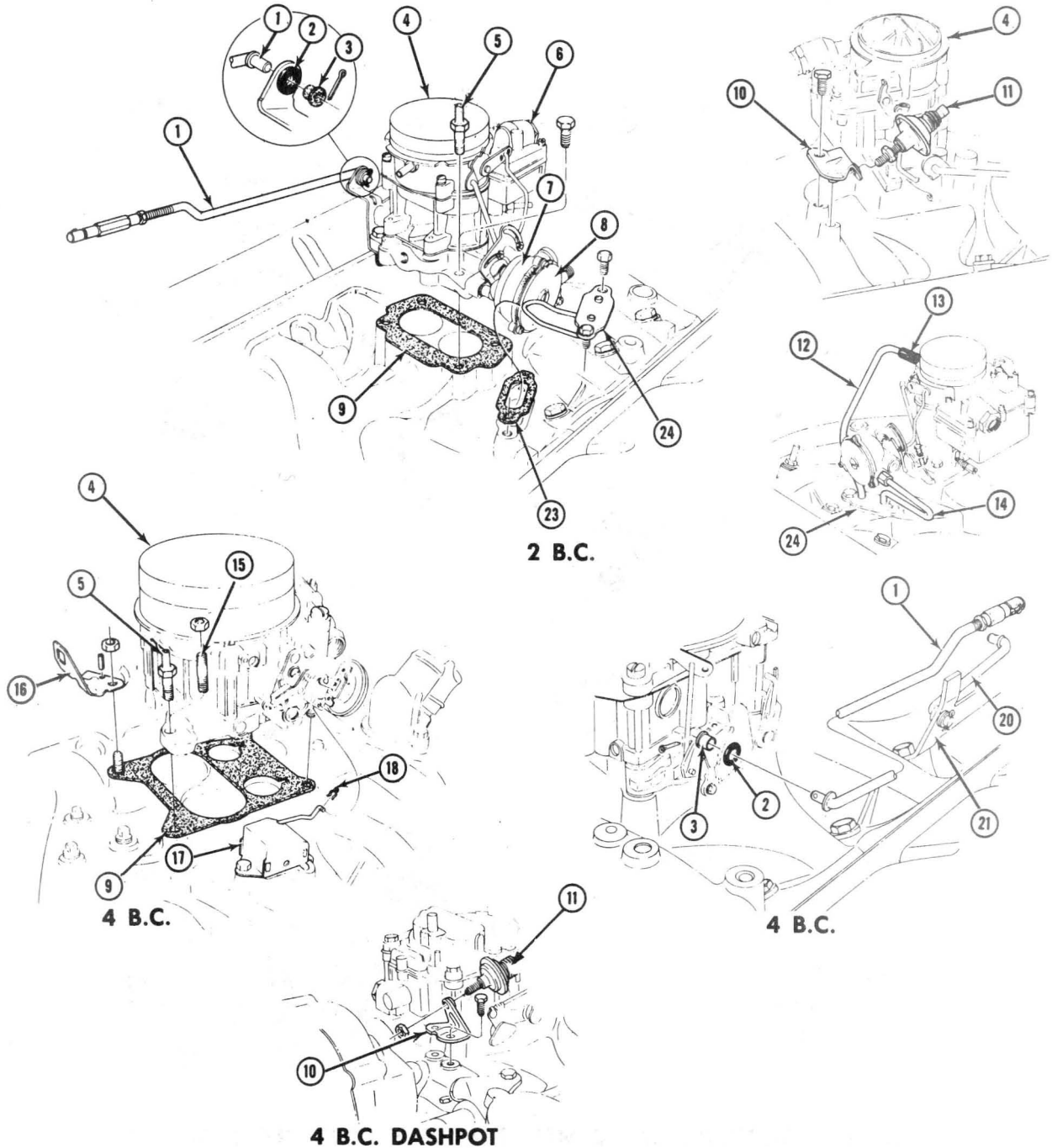
Key	Description	Group
12	Swivel, Accelerator Pedal Lever	3.425
13	Bushing, Accelerator Pedal Lever	3.425
14	Sleeve, Accelerator Lever	3.425
15	Rod and Support, Accelerator Pedal	3.454
16	Pedal, Accelerator	3.451
17	Stud, Accelerator Pedal Anchor Plate	3.452
18	Stud, Throttle Switch Control	4.060
19	Boot, Transmission Throttle Control Switch	4.060
20	Fastener, Throttle Switch to Auxiliary Bellcrank	3.425
21	Dash Pot and Switch Assembly, Carburetor Slow Idle ..	3.440
22	Bracket, Dash Pot	3.444
23	Switch, Carburetor Slow Idle	3.440
24	Rod, Throttle Aux. Bellcrank to Carburetor	3.430



1966-67 THROTTLE CONTROL DETAIL — 6 CYLINDER

Key	Description	Group
1	Lever, Throttle Idler	3.463
2	Retainer, Throttle Control Cable to Control Lever	3.425
		3.425
4	Rod, Carburetor to Accelerator Control Lever	3.430
5	Clip, Carburetor to Accelerator Control Lever Rod	3.425
6	Bracket, Accelerator Pull-Back Spring	3.459

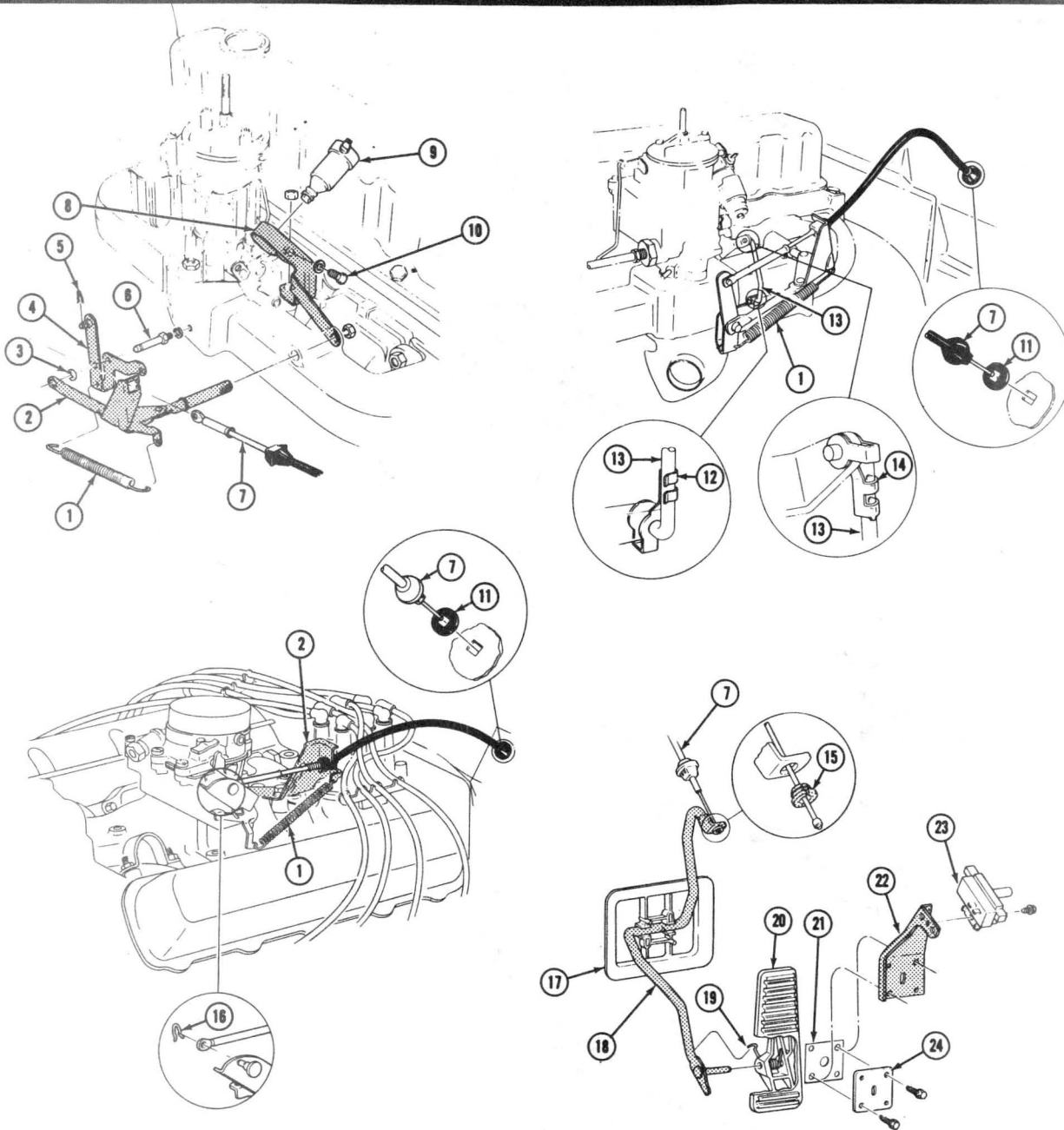
Key	Description	Group
7	Cable, Throttle	3.430
8	Clamp, Throttle Cable Bracket	3.463
9	Bracket, Throttle Cable	3.463
10	Spring, Throttle Return	3.459
11	Stud, Accelerator Control Lever	



1967-V8 THROTTLE LINKAGE & DASHPOT DETAILS (AT CARB.)

Key	Description	Group
1	ROD Assy.	3.430
2	BUSHING	3.425
3	SLEEVE	3.425
4	CARBURETOR Assy.	3.725
5	BOLT (Vac. Conn.)	3.726
6	NUT, Filter	3.740
7	HOUSING	3.750
8	COVER (w/Coil & Gskt.)	3.750
9	GASKET	3.726
10	BRACKET	3.444
11	DASHPOT	3.440
12	PIPE, Choke Heater Inlet	3.603

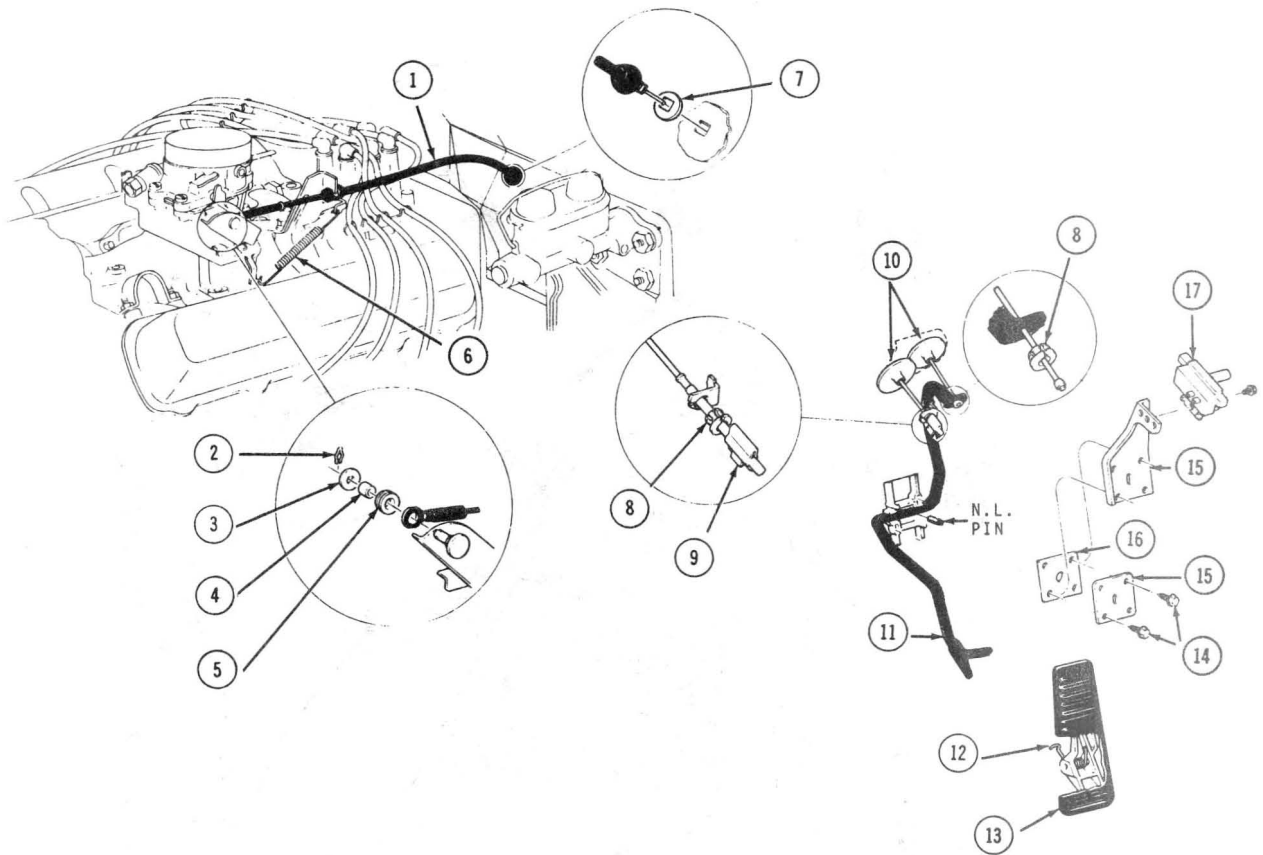
Key	Description	Group
13	HOSE, Carb. to Pipe	3.603
14	PIPE, Carb. Choke Air	3.603
15	STUD (5/16"-24-18 x 1 1/2")	3.726
16	BRACKET	3.463
17	HOUSING Assy. Choke T/Stat.	3.750
18	RETAINER	3.841
19	RETAINER	3.425
20	ROD, Equalizer to Accel. Brkt.	3.430
21	BRACKET, Equal.	3.454
22	ROD ASSY.	4.060
23	GASKET	3.603
24	TUBE, Choke Heater	3.603



1968 F-85 THROTTLE CABLE MTG & ACCELERATOR PEDAL DETAILS

Key	Description	Group
1	SPRING, Accel. Return	3.459
2	BRACKET, Cable	3.463
3	SNAP RING — 3/8" Type TE	8.934
4	BELLCRANK	3.463
5	RETAINER	3.425
6	STUD, B/Crank to Mfld.	3.463
7	CABLE, Throttle	3.430
8	BRACKET	3.444
9	SOLENOID	3.440
10	BOLT (1/4"-20 x 5/8")	8.900
11	SEAL, Cable to Dash	3.425
12	CLIP, Accel. Rod (Lower)	3.425

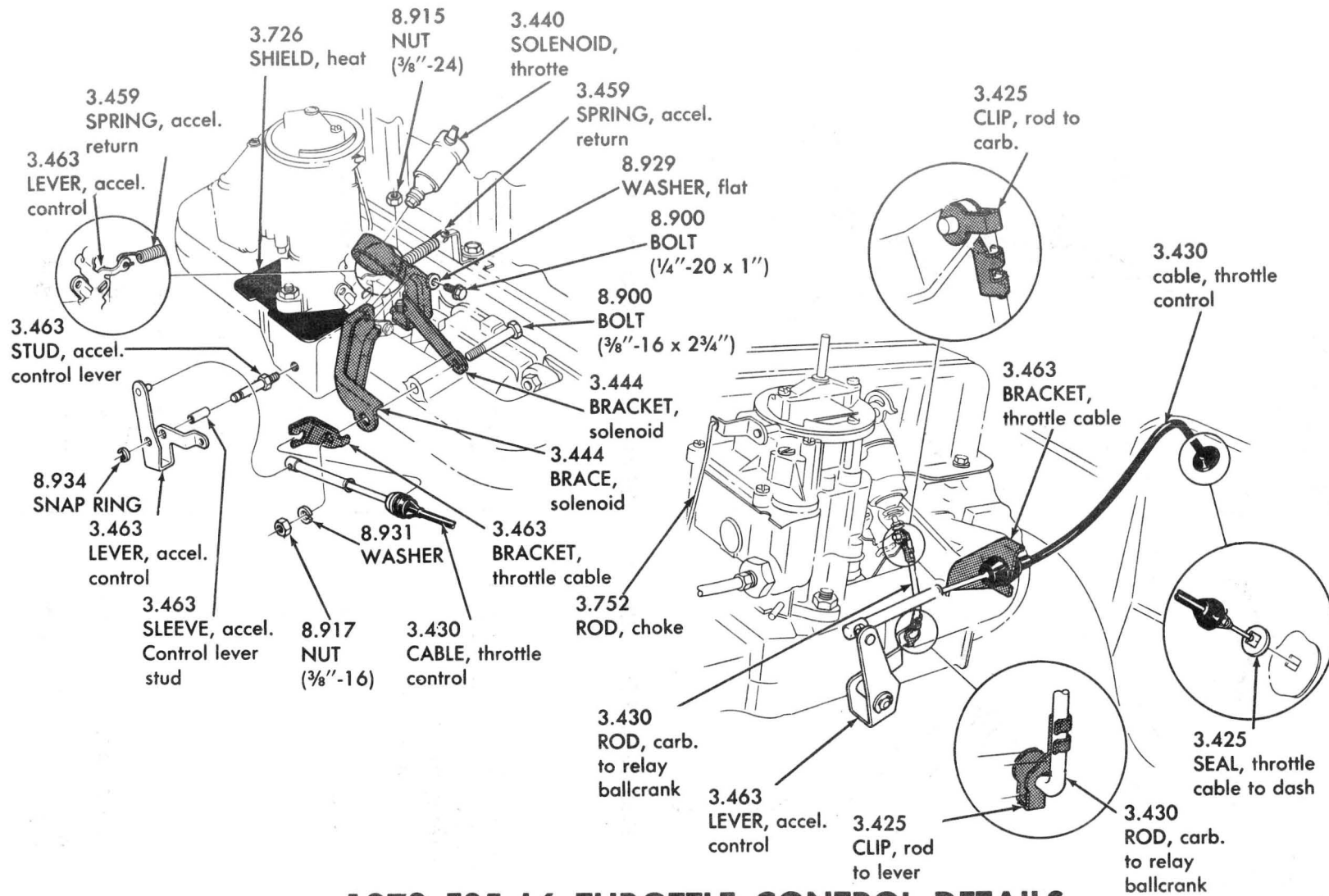
Key	Description	Group
13	ROD, Carb. to Bellcrank	3.430
14	CLIP, Accel. Rod (Upper)	3.425
15	RETAINER (Nylon)	3.430
16	RETAINER, Cable to Carb.	3.425
17	BEARING, Lever (Front)	3.454
18	LEVER, Pedal	3.454
19	SPRING, Lever to Pedal	3.459
20	PEDAL	3.451
21	INSULATOR, Brg.	3.454
22	BRG., Lever (Rear-J.T. or V8 T.H.)	3.454
23	SWITCH, Downshift	4.057
24	BRG., Lever (Rear-S.T. or V8 J.T.)	3.454



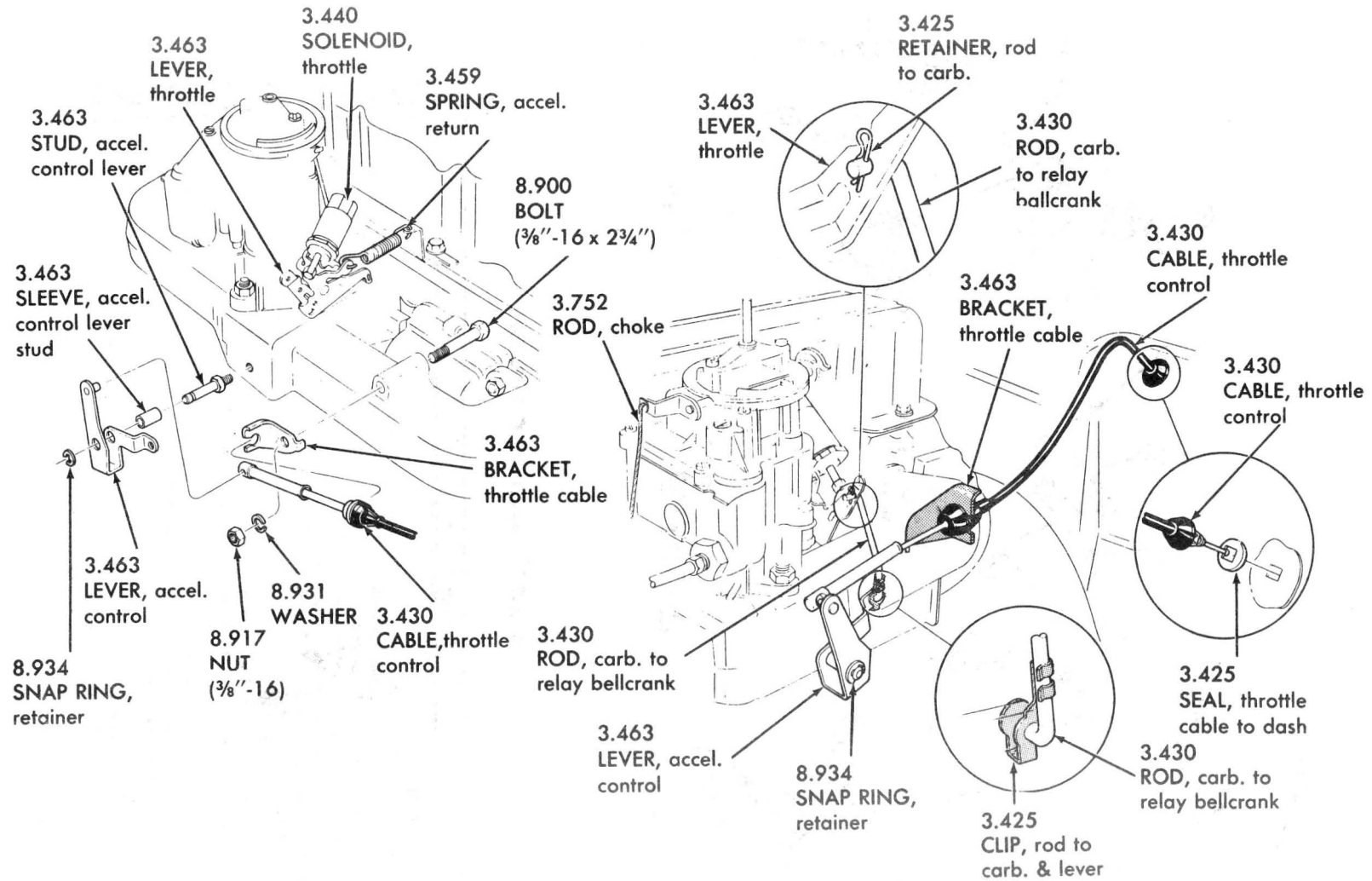
1969 THROTTLE CONTROL DETAILS (TYPICAL OF 1970-71)

KEY	DESCRIPTION	GROUP
1	CABLE ASSEMBLY, THROTTLE CONTROL	3.430
2	RETAINER	3.425
3	WASHER	N.L.
4	SLEEVE	3.425
5	BUSHING	3.425
6	SPRING, ACCEL. RETURN	3.459
7	SEAL	3.425
8	RETAINER	3.430
9	CLIP	3.425

KEY	DESCRIPTION	GROUP
10	RETAINER	N.L.
11	LEVER ASSY., ACCEL. PEDAL	3.454
12	SPRING	3.459
13	PEDAL	3.451
14	SCREW	N.L.
15	BEARING, REAR	3.454
16	INSULATOR	3.454
17	SWITCH, DOWNSHIFT	4.057



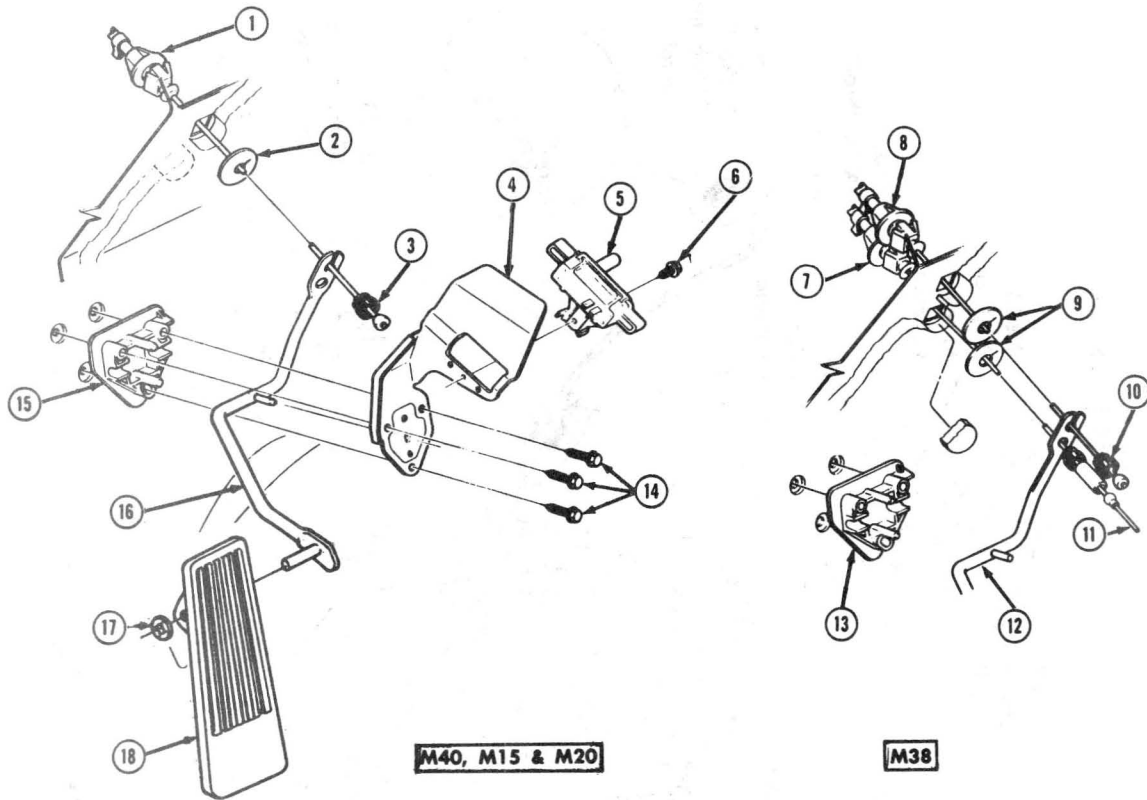
1970 F85 L6 THROTTLE CONTROL DETAILS



1971 F85 L6 THROTTLE CONTROL DETAILS

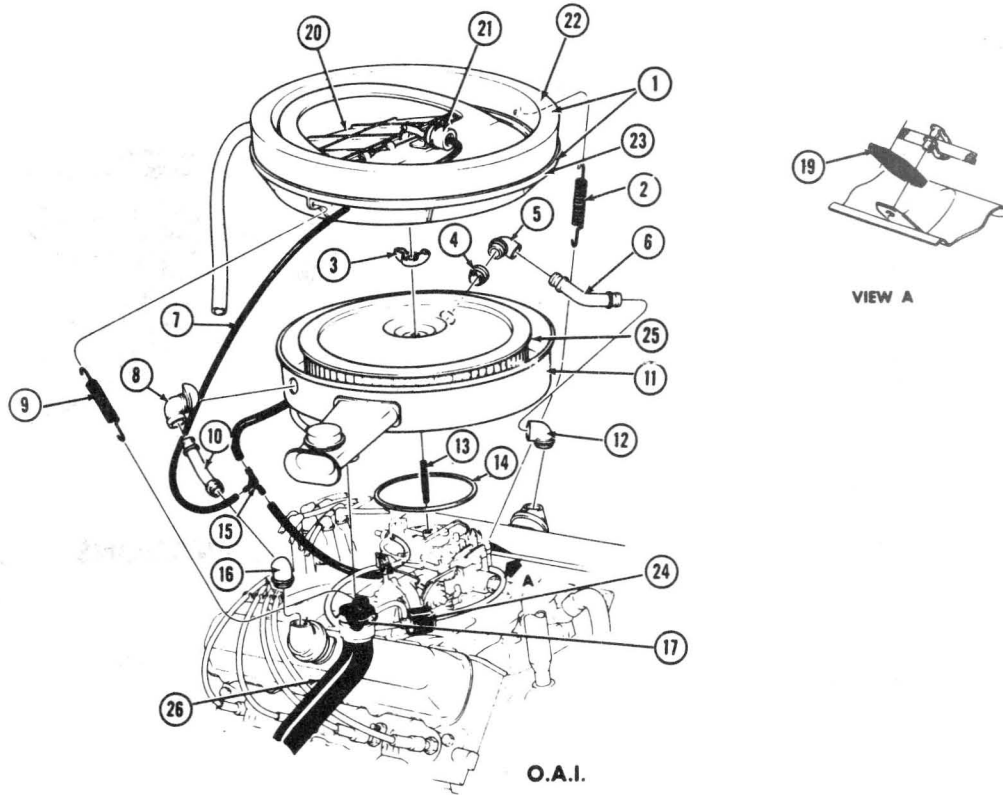
GM

F85
OLDSMOBILE
PARTS CATALOGUE



1973-74¹ THROTTLE CONTROLS

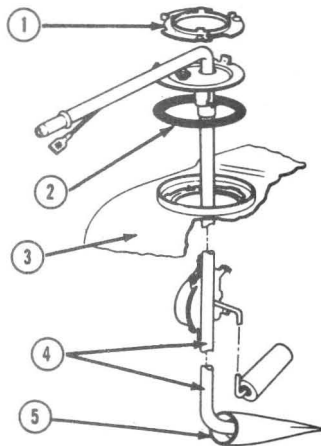
Key	Description	Group
1	Cable, Throttle	3.430
2	Retainer, Throttle Cable	3.430
3	Retainer — Part of Cable Assembly	N.L.
4	Bracket, Accelerator Pedal Rod	3.454
5	Switch, Transmission Throttle Control (M40)	4.057
6	Screw, Throttle Control Switch To Bracket	8.977
7	Cable, Transmission Detent Control	4.050
8	Cable, Throttle	3.430
9	Retainer, Throttle Cable	3.430
10	Retainer — Part of Cable Assembly	N.L.
11	Cable, Transmission Detent Control	4.050
12	Lever, Accelerator Pedal	3.454
13	Support, Accelerator Pedal Rod	3.454
14	Screw and Washer Assembly, Bracket To Support	8.977
15	Support, Accelerator Pedal Rod	3.452
16	Lever, Accelerator Pedal	3.454
17	Nut (Spring), Lever To Pedal	8.915
18	Pedal, Accelerator	3.451



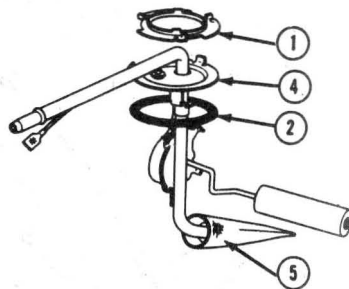
**1970 F-85 AIR CLEANER & CRANKCASE VENTILATION
(TYPICAL OF 1971 & 1972)**

Key	Description	Group
1	ADAPTER ASSY., Air Cleaner	3.417
2	SPRING	3.459
3	WING NUT	3.403
4	PLUG, Air Cleaner Vent Pipe Hole	3.406
5	ELBOW, Vent Pipe to Filter	1.745
6	PIPE, Vent	1.762
7	HOSE, Tee to Motor	
8	GROMMET, Vent Pipe to Air Cleaner	1.745
9	SPRING	3.459
10	PIPE, Vent	1.762
11	CLEANER	3.402
12	ELBOW, Vent Pipe to Filter	1.745
13	STUD, Cleaner to Carb. (4 1/8")	3.403

Key	Description	Group
14	GASKET, Cleaner to Carb.	3.403
15	TEE, Adapter Door Motor	3.417
16	ELBOW, Vent Pipe to Filter	1.745
17	FILTER, Hot Air Pipe	3.417
18	CLIP	N.L.
19	CLIP	N.L.
20	DOOR, Air Cleaner Adapter	3.403
21	MOTOR, Vac. Air Cleaner Adapter Door	3.415
22	SEAL, Air Cleaner Adapter to Hood	3.417
23	ADAPTER, Air Cleaner to Hood	3.410
24	SOLENOID, Distributor Vacuum	2.408
25	ELEMENT	3.410
26	PIPE	3.417



EXC. WAGONS



WAGONS

**1968 FUEL TANK GAUGE UNITS, CAM & GASKET
 (TYPICAL 1969 THRU 1974)**

Key	Description	Group
1	Cam, Gasoline Meter	3.107
2	Gasket, Gasoline Meter	3.112
3	Tank and Filler, Fuel	3.001
4	Gauge, Gasoline — Tank Unit	3.107
5	Filter, Fuel Gauge — In Tank	3.110

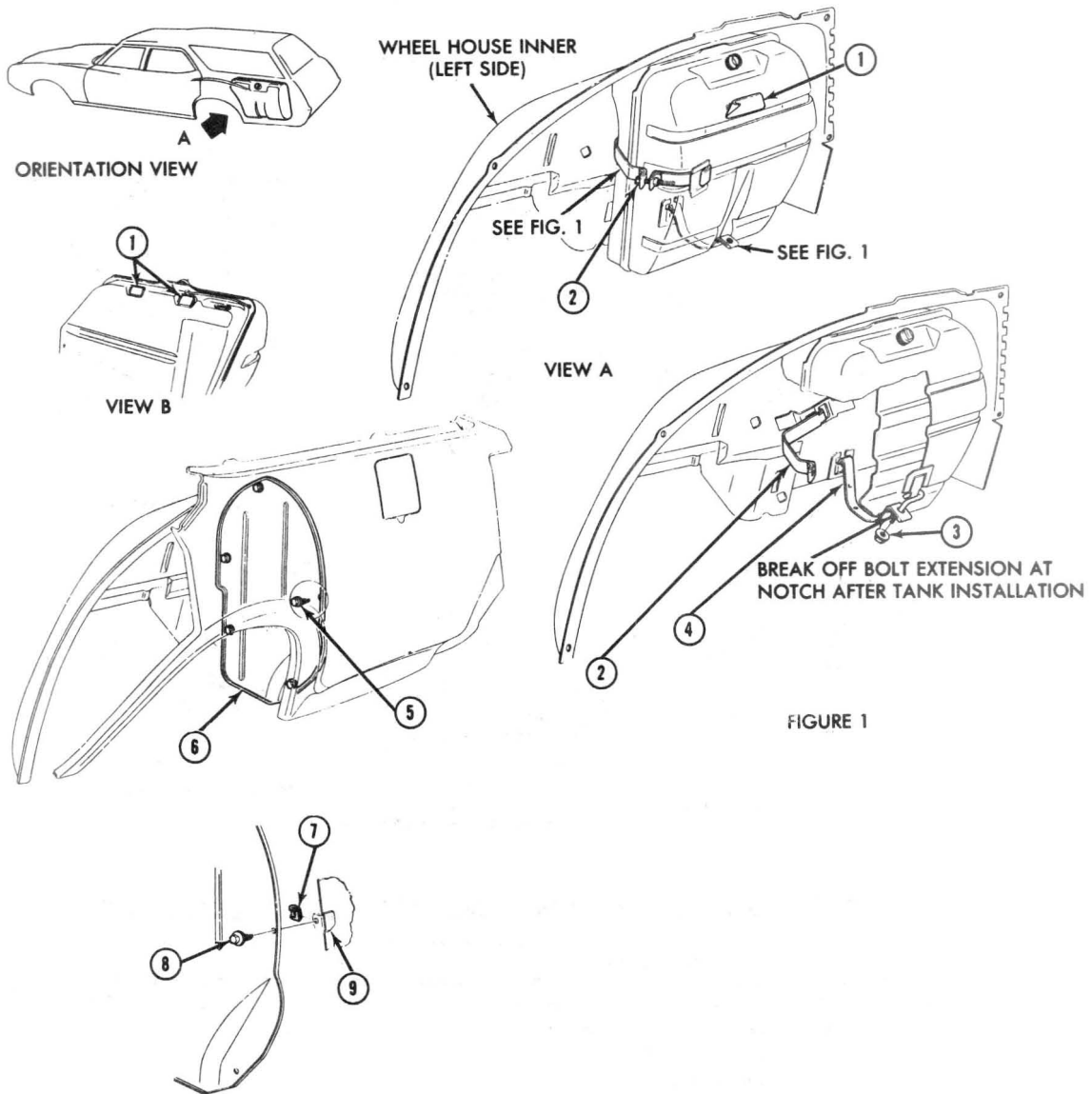
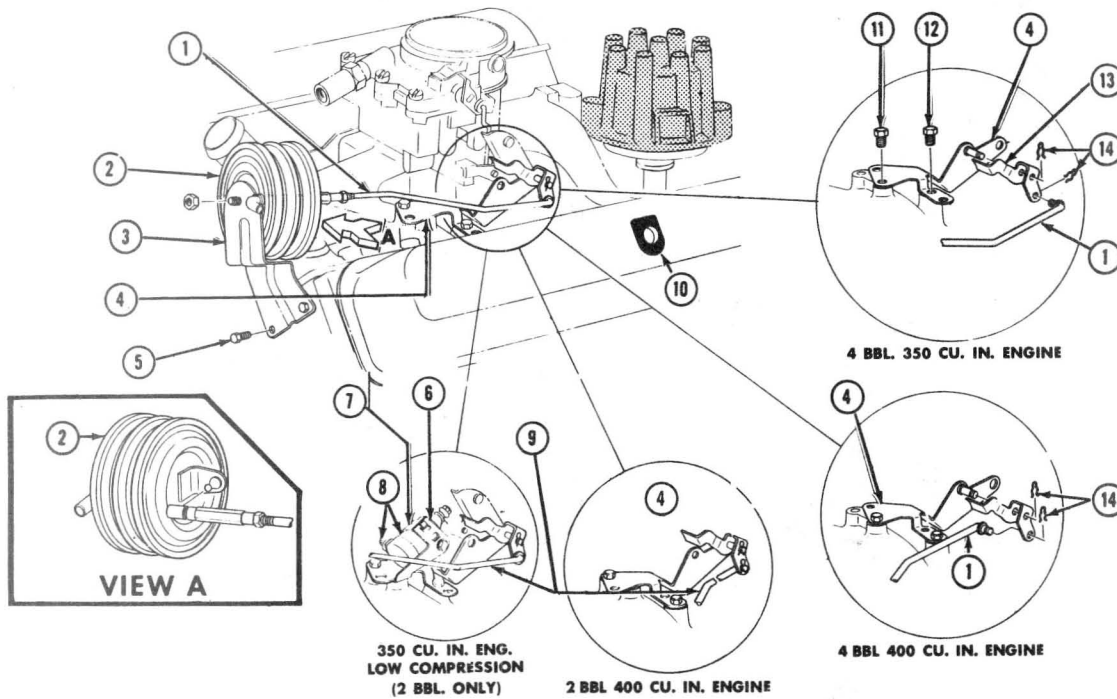


FIGURE 1

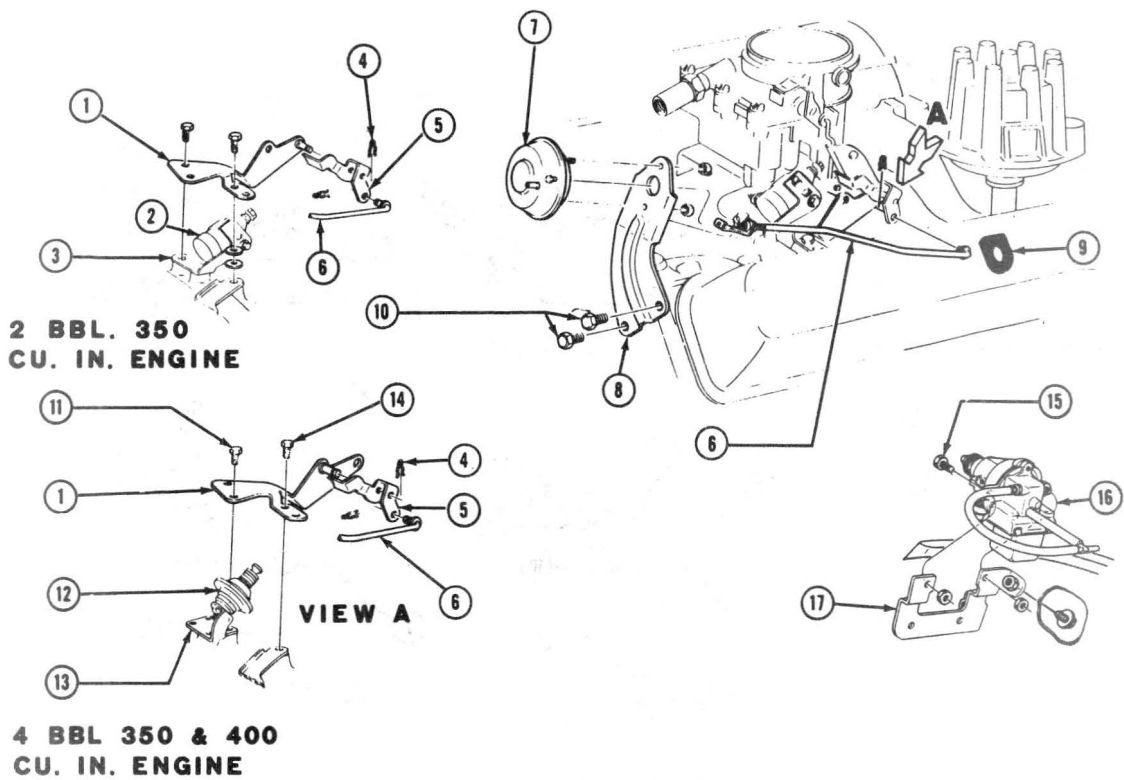
1972 S.W. FUEL TANK MTG. DETAILS

Key	Description	Group
1	Insulator, Fuel Tank To Underbody	3.022
2	Strap, Fuel Tank	3.022
3	Bolt, Fuel Tank Strap To Underbody	3.023
4	Strap, Fuel Tank	3.022
5	Bolt, Fuel Tank Shield	8.917
6	Shield, Fuel Tank Stone	3.022
7	Nut — 10 - 16	8.921
8	Screw — 10 - 16 x 5/8	8.977
9	Bracket — Fisher Installed	N.L.



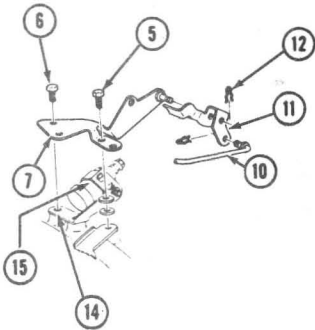
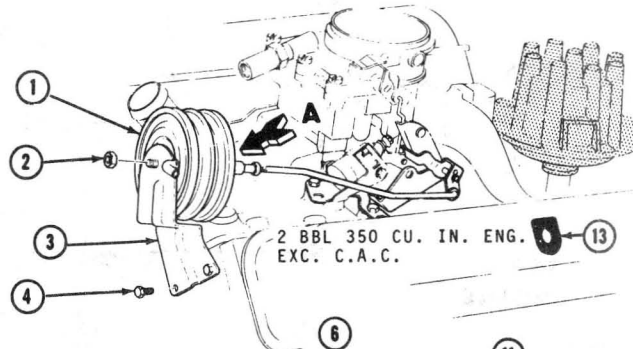
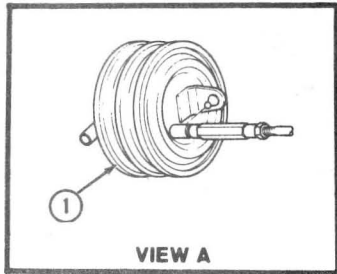
1968 CRUISE CONTROL VACUUM SERVO MTG. DETAILS (EXC. C. A. C.)

Key	Description	Group
1	Rod, Cruise Control Relay Bellcrank — To Servo	3.885
2	Servo Assembly, Automatic Throttle Vacuum	3.887
3	Bracket, Cruise Control Vacuum Servo	3.887
4	Bracket, Cruise Control Relay Bellcrank	3.885
5	Bolt, Servo Mounting Bracket — $\frac{3}{8}$ - 16 x $\frac{3}{4}$	8.900
6	Bracket, Carburetor Throttle Closing Solenoid	3.444
7	Clamp, Throttle Closing Solenoid	3.440
8	Solenoid, Carburetor Idle Control	3.440
9	Rod, Cruise Control Relay Bellcrank — To Servo	3.885
10	Grommet, Crankcase Ventilator Valve	1.745
11	Bolt, Cruise Control Relay Bellcrank Bracket — $\frac{5}{16}$ - 18 x $\frac{1}{2}$	8.900
12	Bolt, Cruise Control Relay Bellcrank Bracket — $\frac{3}{8}$ - 16 x $\frac{3}{4}$	8.900
13	Bellcrank, Cruise Control Relay	3.885
14	Retainer, Throttle Control Cable	3.425

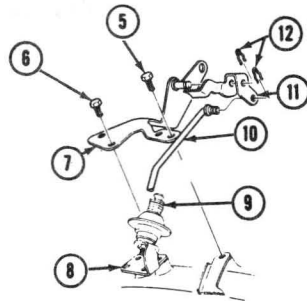


1969 CRUISE CONTROL CARBURETOR LINKAGE DETAILS

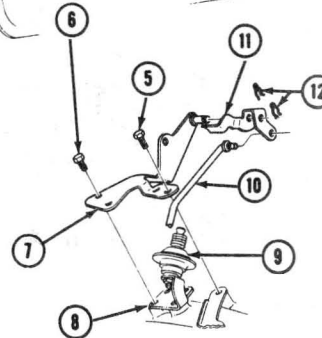
Key	Description	Group
1	Bracket, Cruise Control Relay Bellcrank	3.885
2	Solenoid, Carburetor Idle Control	3.440
3	Bracket, Carburetor Throttle Closing Solenoid	3.444
4	Retainer, Throttle Control Cable	3.425
5	Bellcrank, Cruise Control Relay	3.885
6	Rod, Cruise Control Relay Bellcrank — To Servo	3.885
7	Power Unit, Cruise Control	3.885
8	Bracket, Cruise Control Vacuum Servo	3.887
9	Grommet, Crankcase Ventilator Valve	1.745
10	Bolt — $\frac{3}{16}$ - 16 x $\frac{3}{4}$	8.900
11	Bolt — $\frac{5}{16}$ - 18 x $\frac{1}{2}$	8.900
12	Dashpot, Carburetor	3.440
13	Bracket, Dashpot	3.444
14	Bolt — $\frac{3}{16}$ - 16 x $\frac{3}{4}$	8.900
15	Bolt — $\frac{1}{4}$ - 20 x $\frac{3}{4}$	8.900
16	Transducer, Cruise Control Automatic Throttle	3.885
17	Bracket, Cruise Control Transducer	3.885



2 BBL 350 CU. IN. ENGINE



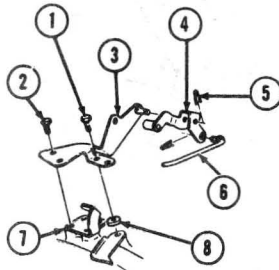
4 BBL 455 CU. IN. ENGINE



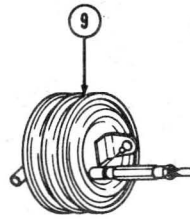
2 BBL 455 CU. IN. ENGINE

**1970 CRUISE CONTROL CARBURETOR LINKAGE
 (1ST TYPE FOR 1970) (TYPICAL OF 1971-72)**

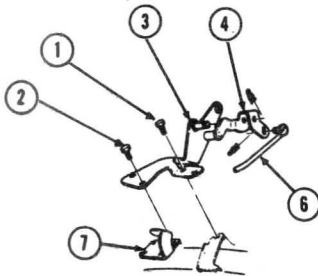
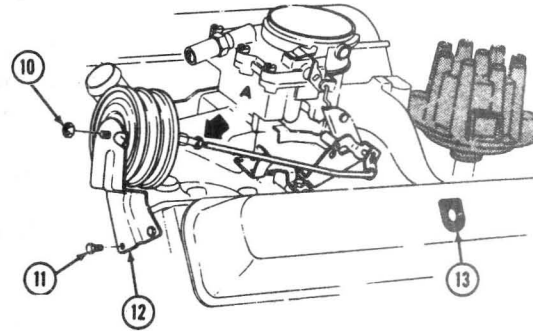
Key	Description	Group
1	Servo Assembly, Automatic Throttle Vacuum	3.887
2	Nut, Servo To Bracket — ¼ - 20	8.917
3	Bracket, Cruise Control Vacuum Servo	3.887
4	Bolt, Servo Bracket To Engine — ⅜ - 6 x ¾	8.900
5	Bolt — ⅝ - 16 x ¾	8.900
6	Bolt — ⅝ - 18 x ½	8.900
7	Bracket, Cruise Control Relay Bellcrank	3.885
8	Bracket, Dashpot	3.444
9	Dashpot, Carburetor	3.440
10	Rod, Cruise Control Relay Bellcrank — To Servo	3.885
11	Bellcrank, Cruise Control Relay	3.885
12	Retainer, Throttle Control Cable	3.425
13	Grommet, Crankcase Ventilator Valve	1.745
14	Bracket, Carburetor Throttle Closing Solenoid	3.444
15	Solenoid, Carburetor Idle Control	3.440



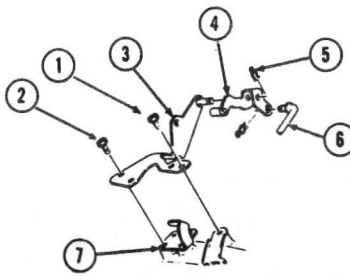
350 CU. IN. 2 BBL ENGINE



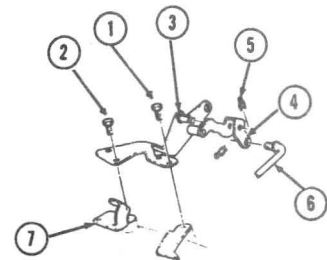
VIEW A



350 CU. IN. 4 BBL ENGINE



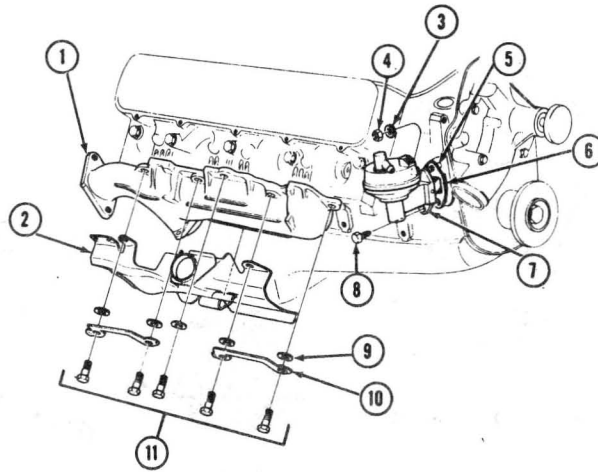
455 CU. IN. 2 BBL ENGINE



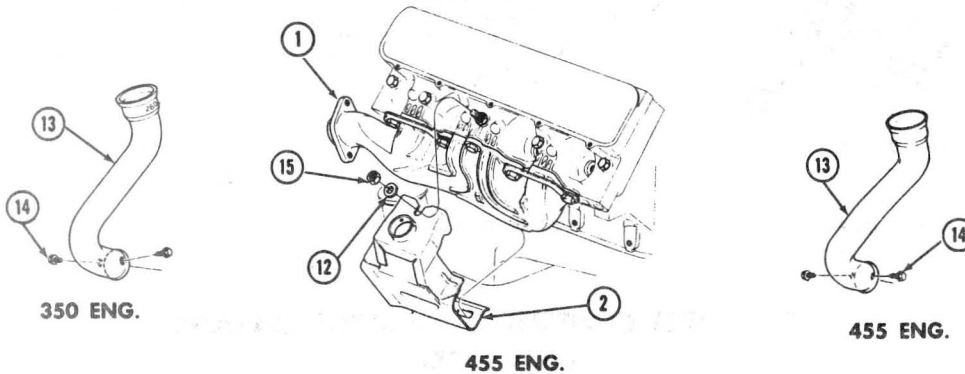
455 CU. IN. 4 BBL ENGINE

**1970 CRUISE CONTROL CARBURETOR LINKAGE
 (2ND TYPE)**

Key	Description	Group
1	Bolt, Cruise Control Relay Bellcrank Bracket — $\frac{3}{8}$ - 16 x $\frac{3}{4}$	8.900
2	Bolt, Cruise Control Relay Bellcrank Bracket — $\frac{5}{16}$ - 18 x $\frac{1}{2}$	8.900
3	Bracket, Cruise Control Relay Bellcrank	3.885
4	Bellcrank, Cruise Control Relay	3.885
5	Retainer, Throttle Control Cable	3.425
6	Rod, Cruise Control Relay Bellcrank — To Servo	3.885
7	Bracket, Carburetor Throttle Closing Solenoid	3.444
8	Washer, Cruise Control Relay Bellcrank Bracket Bolt	8.900
9	Servo Assembly, Automatic Throttle Vacuum	3.887
10	Nut, Servo To Servo Bracket	8.917
11	Bolt, Servo Bracket To Engine	8.900
12	Bracket, Cruise Control Vacuum Servo	3.887



350 ENG.



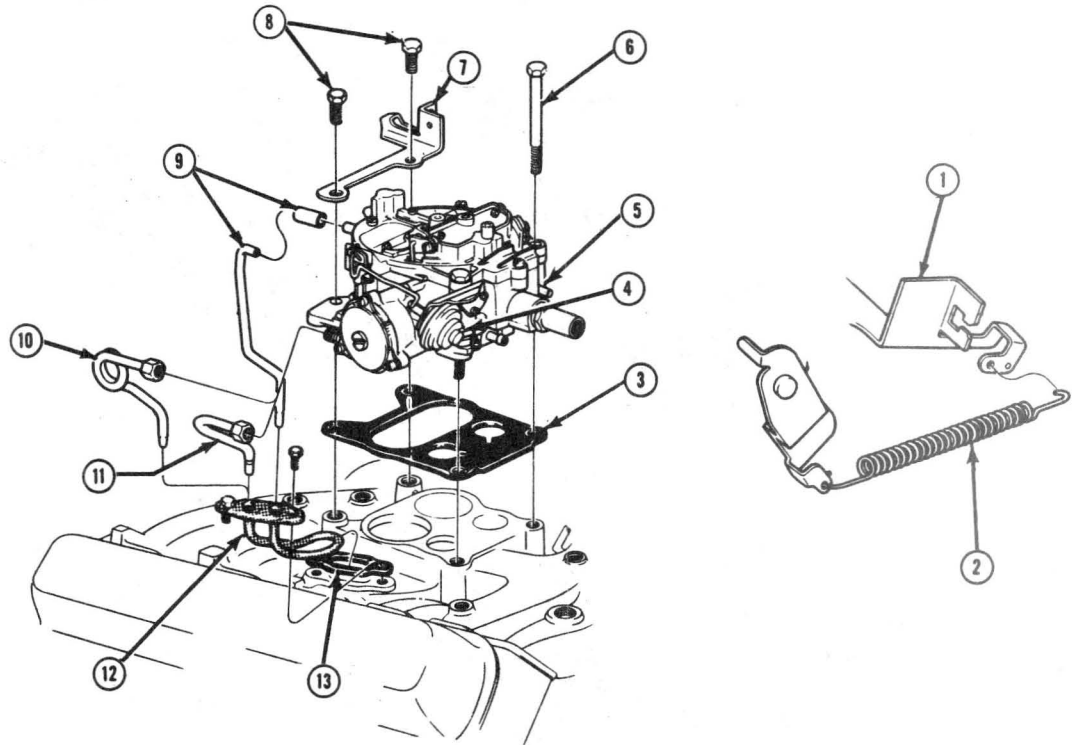
350 ENG.

455 ENG.

455 ENG.

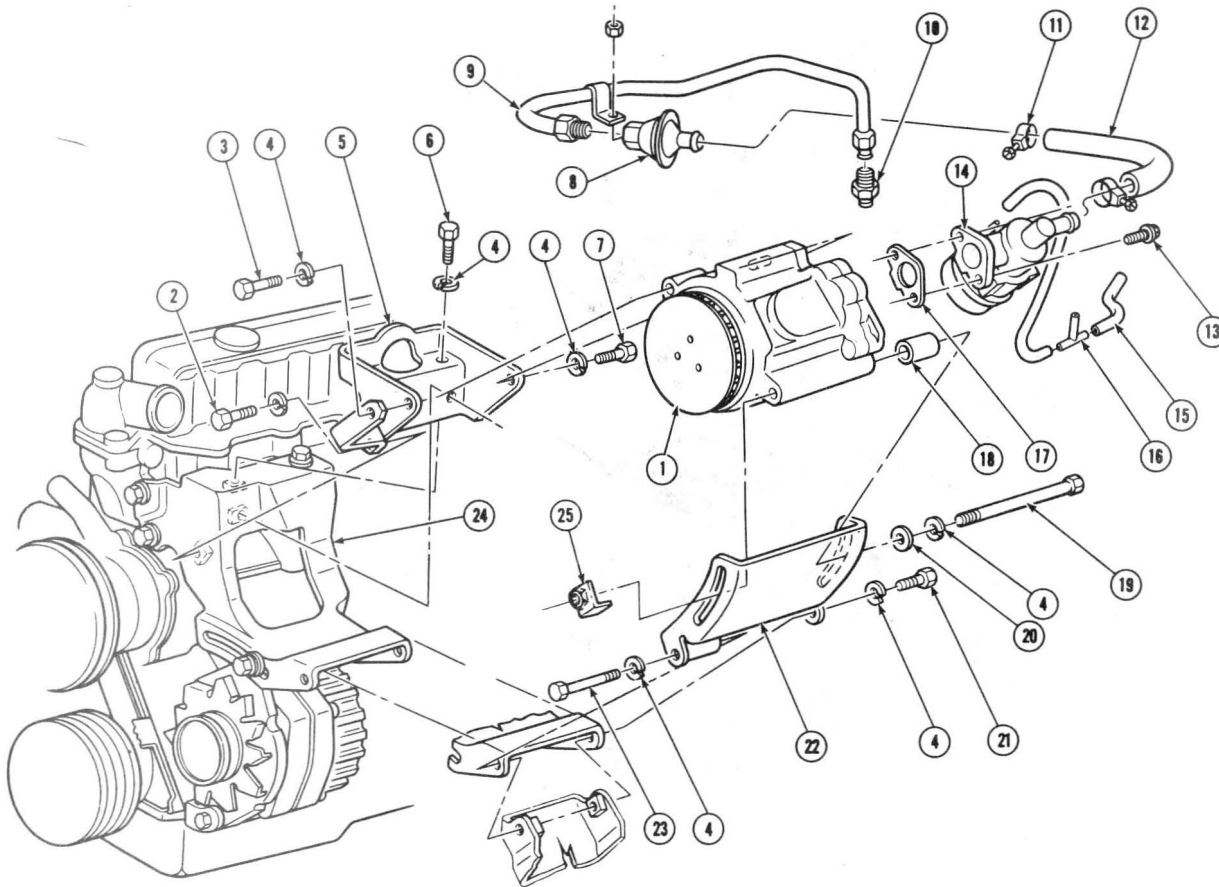
1971-74 EXH. MANIFOLD & HOT AIR SHROUDS

Key	Description	Group
1	Manifold, Exhaust	3.601
2	Shroud, Exhaust Manifold	3.602
3	Washer	8.929
4	Nut	8.915
5	Stud, Fuel Pump To Block	3.900
6	Gasket, Fuel Pump Mounting	3.904
7	Pump, Fuel	3.900
8	Bolt, Fuel Pump To Block	3.901
9	Washer, Manifold Clamp	3.275
10	Lock, Exhaust Manifold Bolt	3.275
11	Bolt, Exhaust Manifold To Cylinder Head	8.900
12	Washer	8.929
13	Pipe, Hot Air	3.417
14	Screw, Hot Air Pipe	8.977
15	Nut	8.915



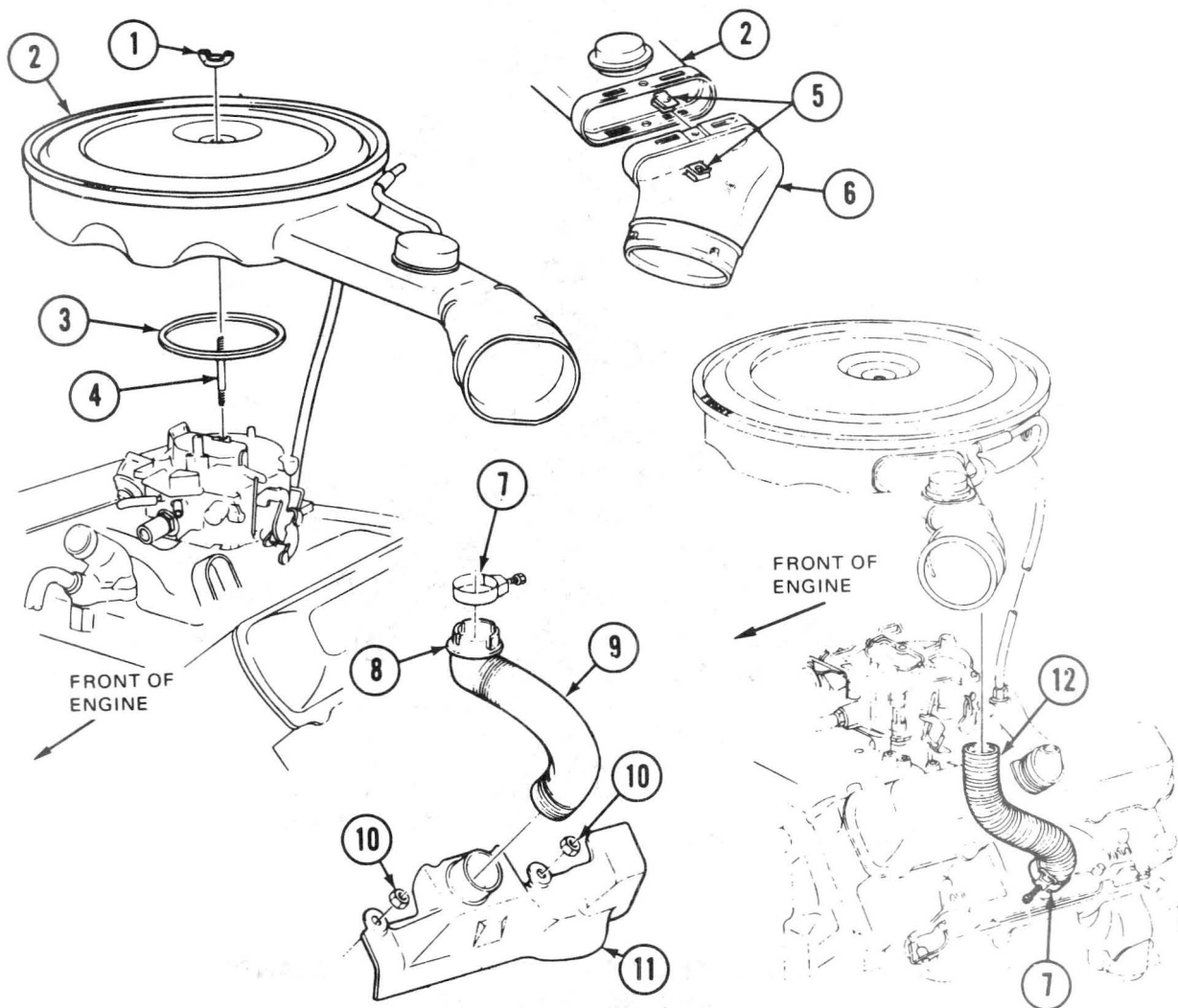
1971 THRU 1974 4BC CARB. & CHOKE AIR PIPES

Key	Description	Group
1	Bracket	3.430
2	Spring	3.459
3	Gasket	3.726
4	Control	3.755
5	Carburetor	3.725
6	Bolt	8.900
7	Bracket	3.430
8	Bolt	8.900
9	Pipe	3.603
10	Pipe	3.603
11	Pipe	3.603
12	Choke Heater	3.603
13	Gasket	3.603



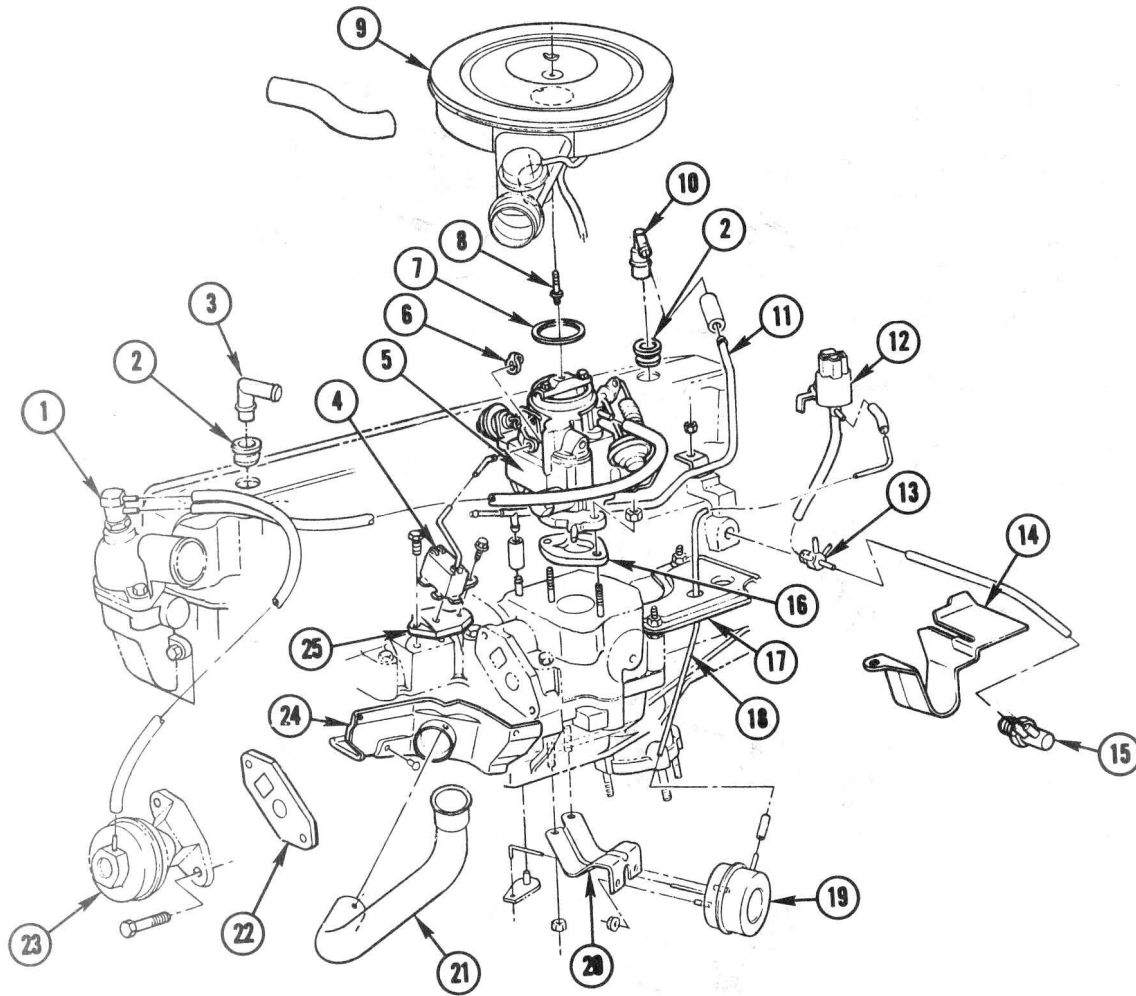
1976 250 6 CYL. ENGINE A.I.R. PUMP MOUNTING—W/A.C.

1. PUMP, Air Injection	3.660
2. BOLT, Pump Brace to Bracket (3/8"—16 x 7/8")	8.900
3. BOLT, Pump Brace to Pump (3/8"—16 x 1 1/8")	N.S.
4. LOCKWASHER, Pump Brace to Bracket (3/8" I.D.)	8.931
5. BRACKET, Air Injection Pump Mtg.	3.655
6. BOLT, Pump Mtg. Bracket to Bracket Asm. (3/8"—16 x 3/4")	8.900
7. BOLT, Pump to Mtg. Bracket (3/8"—16 x 2")	8.900
8. VALVE ASM., Air Injection Check	3.670
9. PIPE ASM., A.I.R. Injection	3.675
10. CONNECTOR, Signal Pipe to Manifold	8.963
11. CLAMP, Diverter Valve to Check Valve Hose (7/8"—1 3/16")	N.S.
12. HOSE, Diverter Valve to Check Valve	3.675
13. SCREW, A.I.R. Diverter Valve	3.680
14. VALVE ASM., A.I.R. Diverter	3.670
15. HOSE (5/32" I.D.)	8.962
16. TEE, Diverter Valve Hose to Carb. Vacuum Hose	3.680
17. GASKET, A.I.R. Diverter Valve	3.670
18. SPACER, Pump to Bracket	3.655
19. BOLT, Pump Adjusting (3/8"—16 x 6")	2.277
20. WASHER (13/32" I.D. x 47/64")	8.929
21. BOLT, Pump Mtg. Bracket (3/8"—16 x 1 1/4")	8.900
22. BRACKET ASM., Air Injection Pump Mtg.	3.655
23. BOLT, Pump Mtg. Brkt. (3/8"—16 x 2 1/8")	8.900
24. BRACKET, Alternator & Steering Pump Mtg.	6.606
25. NUT, Pump Adjusting	N.S.



1976 V8 AIR CLEANER AND HOT AIR PIPE DETAILS

1. NUT, Cleaner to Carb.	8.920	7. CLAMP, to Hot Air Pipe	3.417
2. AIR CLEANER	3.402	8. ELBOW, Preheater Pipe	3.417
3. GASKET, Air Cleaner to Carb.	3.403	9. DUCT, Preheater to Air Cleaner	3.417
4. STUD, Cleaner to Carb.	3.403	10. NUT	8.915
5. CLIP, Duct to Snorkel	3.417	11. SHROUD & CONNECTOR	3.417
6. DUCT, to Air Cleaner Snorkel	3.417	12. PIPE, Hot Air	3.417



**1975-76 6-CYL. ENGINE CARBURETOR, AIR CLEANER
AND EMISSION PARTS**

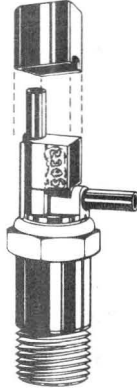
Key	Part Name	Group No.	Key	Part Name	Group No.
1	VALVE, EGR Cold Override	2.408	14	SHIELD, Idle Switch Heat	3.444
2	GROMMET, Connector & Vent Valve to Cover	1.745	15	SWITCH ASM., Carb. Idle	3.755
3	CONNECTOR, Crankcase Vent to Rocker Arm Cover	1.097	16	GASKET, Carb. Heat Insulator	3.726
4	COVER & COIL, Carburetor Choke	3.750	17	SUPPORT, Accelerator Control Cable	3.459
5	CARBURETOR ASM.	3.725	18	PIPE, Actuator to Heat Solenoid	N.S.
6	CLIP, Choke to Carb. Lever	3.425	19	ACTUATOR & ROD ASM., Exhaust Heat	3.640
7	GASKET, Carb. to Air Cleaner	3.403	20	BRACKET, Actuator	3.641
8	STUD, Air Cleaner to Carb.	3.403	21	TUBE, Carb. Air Heater Stove	3.417
9	CLEANER & SILENCER, Carb. Air	3.402	22	GASKET, EGR Valve to Manifold	3.672
10	VALVE, Crankcase Vent	1.745	23	VALVE, Exhaust Gas Recirculation (EGR)	3.670
11	PIPE ASM., Crankcase Vent	1.762	24	STOVE, Carb. Air Heater	3.417
12	SOLENOID ASM., Exhaust Heat	3.685	25	SPACER, Choke to Manifold	3.752
13	FITTING ASM., Vacuum	3.278			

VACUUM HOSE — SEE GROUP 8.962

1975-76 OLDSMOBILE EMISSION VALVES AND SWITCHES

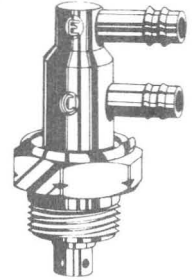
NOTE: Refer to the Data Section for Model Years and Application.

**Switch, Exhaust Heat
Valve Actuator Control**



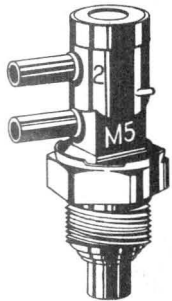
Part No. 366887
Group 3.647

**Switch, EGR Valve
Vacuum Control**



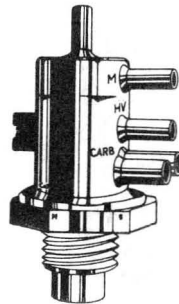
Part No. 370721
Group 3.670

Switch, Choke Pull-off



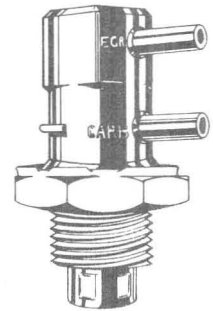
Part No. 3031548
Group 3.750
Group 3.755

Switch, EFE and EGR



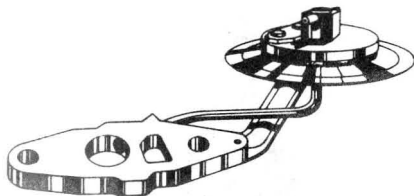
Part No. 3031427
Group 3.670

Valve, EGR Thermal Vacuum



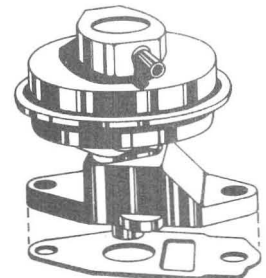
Part No. 3031547
Group 3.670

Valve, Back Pressure Transducer



Part No. 551083
Group 3.670

Valve, EGR (Typical)

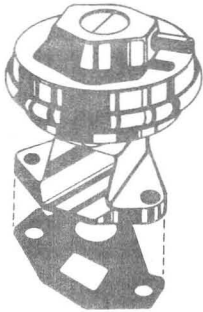


Part No. 17052668
Group 3.670

1975-76 OLDSMOBILE EMISSION VALVES AND SWITCHES

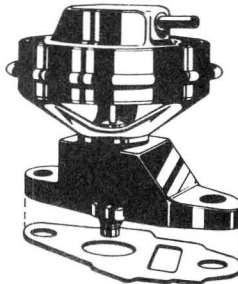
NOTE: Refer to the Data Section for Model Years and Application.

Valve, EGR (Typical)



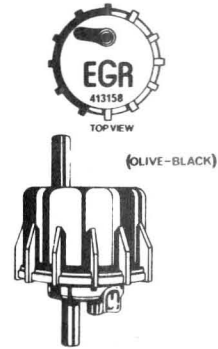
Part No. 17052676
Group 3.670

Valve, EGR (Typical)



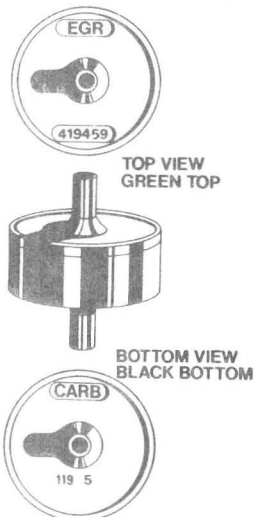
Part No. 17052715
Group 3.670

Valve, EGR Vacuum Control



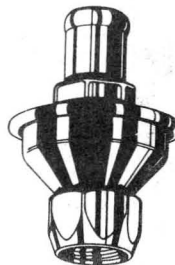
Part No. 413158
Group 3.670

Valve, EGR Vacuum Control



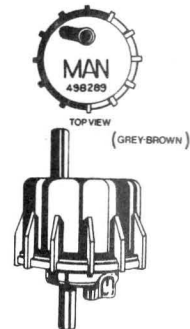
Part No. 419459
Group 3.670

Valve, Air Injection Check



Part No. 4974265
Group 3.670

Valve, Thermal Check and Delay



Part No. 413429
Group 2.408
Group 3.440

**Reducer, Carburetor to
EFE/EGR Switch**

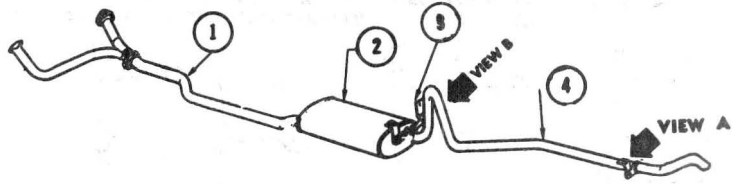


Part No. 1251004
Group 3.680

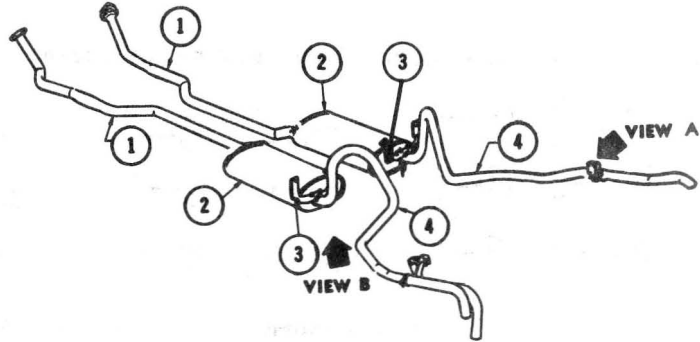
**Valve, EGR/EFE
Vacuum Check**



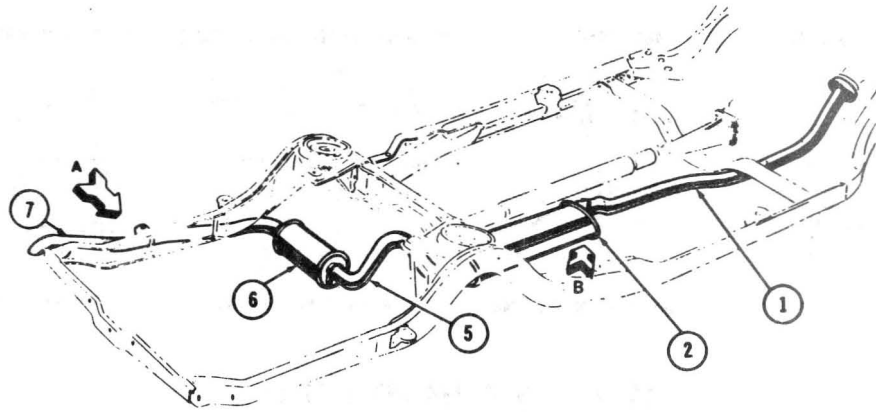
Part No. 497853
Group 3.140
Group 3.633



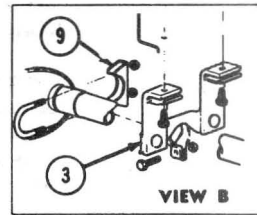
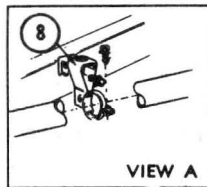
SINGLE EXHAUST SYSTEM



DUAL EXHAUST SYSTEM



EXHAUST SYSTEM WITH RESONATOR

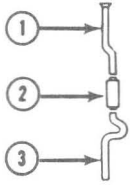


**EXHAUST SYSTEMS
(TYPICAL)**

Key	Description	Group	Key	Description	Group
1	Pipe, Exhaust	3.609	6	Resonator, Exhaust	3.702
2	Muffler, Exhaust	3.701	7	Pipe, Resonator Tail	3.705
3	Hanger, Tail Pipe	3.706	8	Hanger, Tail Pipe	3.706
4	Pipe, Muffler Tail	3.705	9	U-Bolt	3.708
5	Pipe, Muffler to Resonator	3.705			

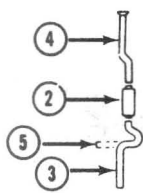


3187-3577-3587

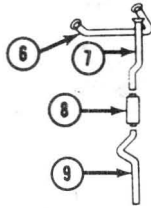


L6 ENGINE

3169-3536-3569

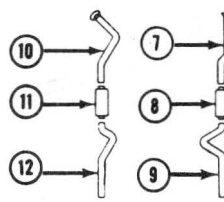


3287-3677-3687-
4257-4267



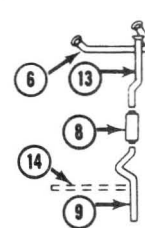
350 CU. IN. ENGINE

4257-4267 (WITH 35L74 & N10)
3287-3677-3687 (WITH 35N10 EXC. W31)

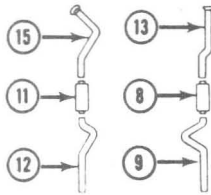


350 CU. IN. ENGINE

3269-3636-3669-4239

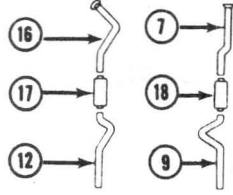


3269-3669-4239 (35N10)



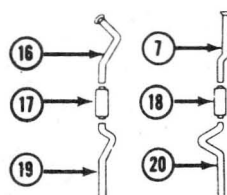
350 CU. IN. ENGINE

3287-3677-3687 (35L30)



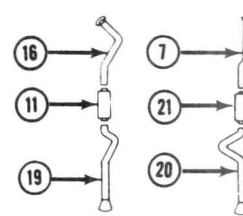
455 CU. IN. ENGINE

4257-4267 (WITH 35L32 & 35Y79)

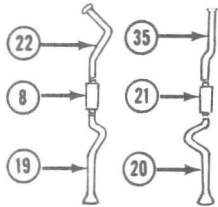


455 CU. IN. ENGINE

4400

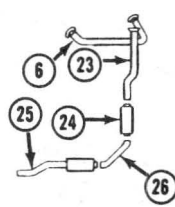


4400 (WITH 35W30)



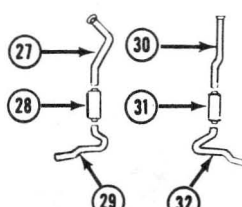
455 CU. IN. ENGINE

4856-4866



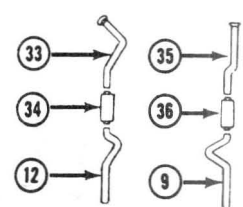
350 CU. IN. ENGINE

4856-4866 (WITH 35L30, 35L32)



455 CU. IN. ENGINE

3287-3677-3687 (WITH 35W31)



350 CU. IN. ENGINE

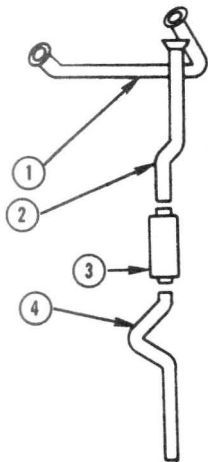
**1971 F-85 EXHAUST SYSTEM
(TYPICAL 1972)**

Key	Description	Part No.	Group
1	PIPE, Exhaust	399590	3.609
2	MUFFLER	1394174	3.701
3	PIPE, Tail	405839	3.705
4	PIPE, Exhaust	399589	3.609
5	PIPE, Tail	400663	3.705
6	PIPE, Crossover	382629	3.609
7	PIPE, Exhaust	399546	3.609
8	MUFFLER	737718	3.701
9	PIPE, Tail	404724	3.705
10	PIPE, Exhaust	403413	3.609
11	MUFFLER	408599	3.701
12	PIPE, Tail	400725	3.705
13	PIPE (2 1/4" Dia.)	396658	3.609
14	PIPE, Tail (S.W. Only)	409997	3.705
15	PIPE, Exhaust	403411	3.609
16	PIPE, Exhaust	411411	3.609
17	MUFFLER	408599	3.701
18	MUFFLER	737718	3.701

Key	Description	Part No.	Group
19	PIPE, Tail	404665	3.705
20	PIPE, Tail	404664	3.705
21	MUFFLER	737718	3.701
22	PIPE, Exhaust	410021	3.609
23	PIPE, Manifold to Muffler	399591	3.609
24	MUFFLER	737727	3.701
25	RESONATOR (12" Long 2" Outlet)	403880	3.702
26	PIPE, Connector	403879	3.705
27	PIPE, Exhaust	406143	3.609
28	MUFFLER	406866	3.701
29	PIPE, Tail	406147	3.705
30	PIPE, Exhaust	406142	3.609
31	MUFFLER	406866	3.701
32	PIPE, Tail	406146	3.705
33	PIPE, Exhaust	406219	3.609
34	MUFFLER	1236982	3.701
35	PIPE, Exhaust	406218	3.609
36	MUFFLER	1236982	3.701

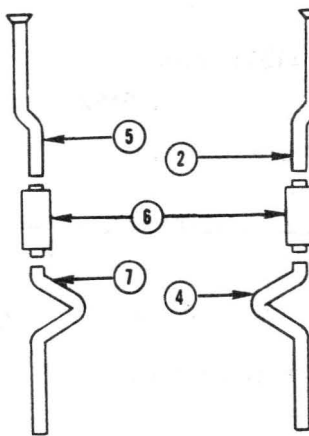


COUPE — EXC. 35L75/35N10



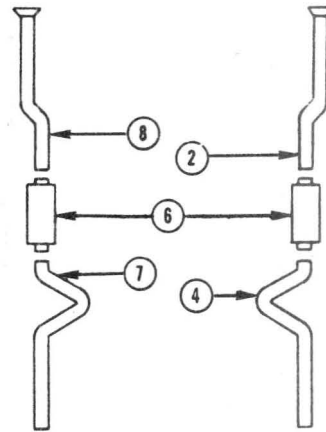
350 CU. IN. ENGINE

COUPE—WITH 35N10



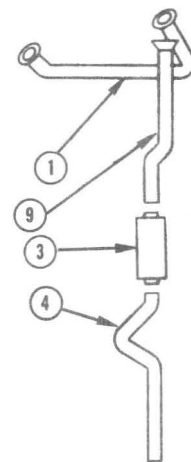
350 CU. IN. ENGINE

COUPE—WITH 35L75



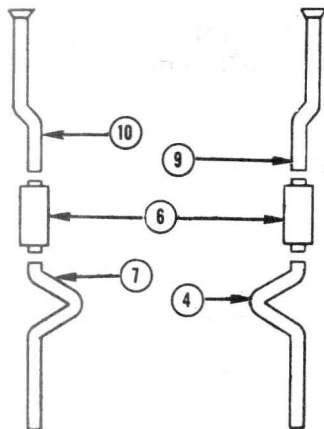
455 CU. IN. ENGINE

SEDAN — EXC. 35L75



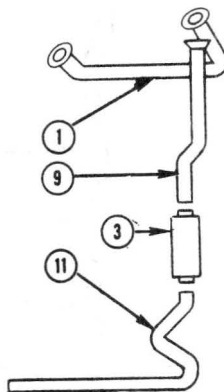
350 CU. IN. ENGINE

SEDAN—WITH 35L75



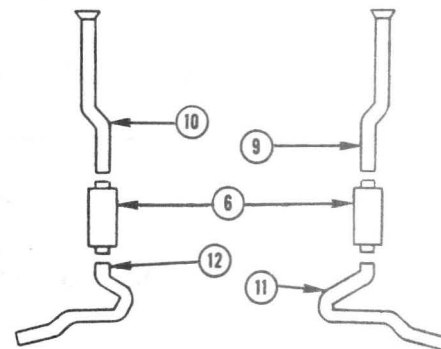
455 CU. IN. ENGINE

STATION WAGON—EXC. 35L75



350 CU. IN. ENGINE

STATION WAGON—WITH 35L75



455 CU. IN. ENGINE

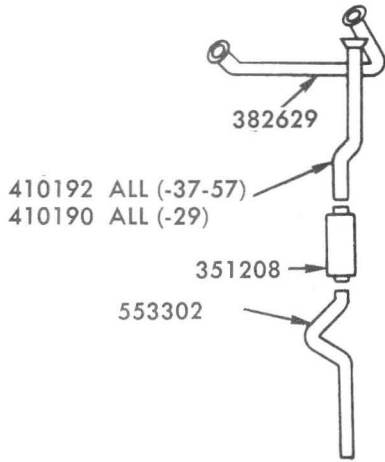
1973 EXHAUST SYSTEMS

Key	Description	Part No.	Group
1	PIPE, crossover	382629	3.609
2	PIPE, exhaust	410192	3.609
3	MUFFLER, exhaust	1243203	3.701
4	PIPE, muffler tail	1240506	3.705
5	PIPE, exhaust	416013	3.609
6	MUFFLER, exhaust	1240534	3.701

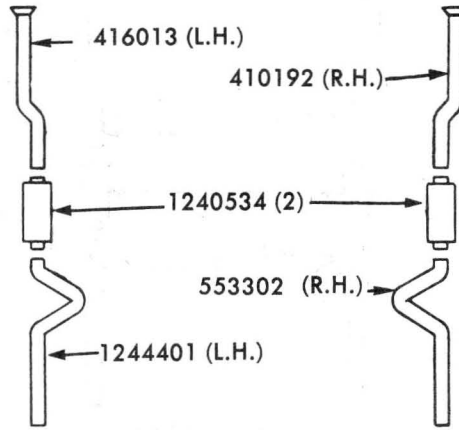
Key	Description	Part No.	Group
7	PIPE, muffler tail	1240507	3.705
8	PIPE, Exhaust	416012	3.609
9	PIPE, Exhaust	410190	3.609
10	PIPE, exhaust	416009	3.609
11	PIPE, muffler tail	1240460	3.705
12	PIPE, muffler tail	1240899	3.705

1974 EXHAUST SYSTEM

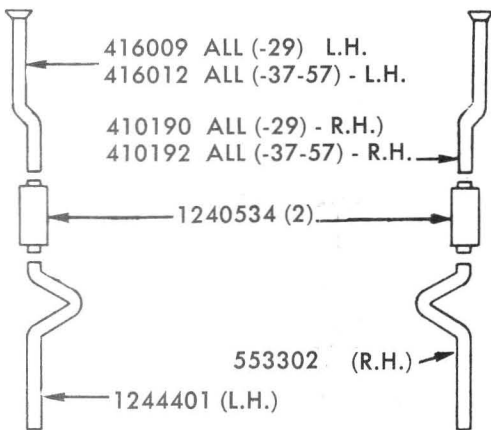
350 CU. IN. ENGINE (Exc. Wagons)



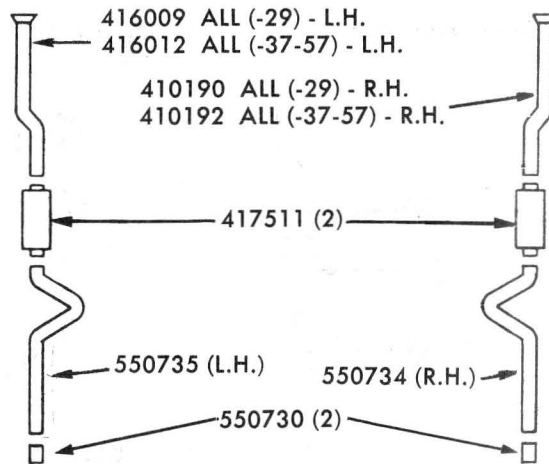
350 CU. IN. DUAL EXHAUST (Exc. Wagons)



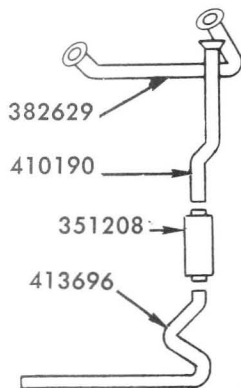
455 CU. IN. ENGINE (Exc. Wagons or Spec. Perf.)



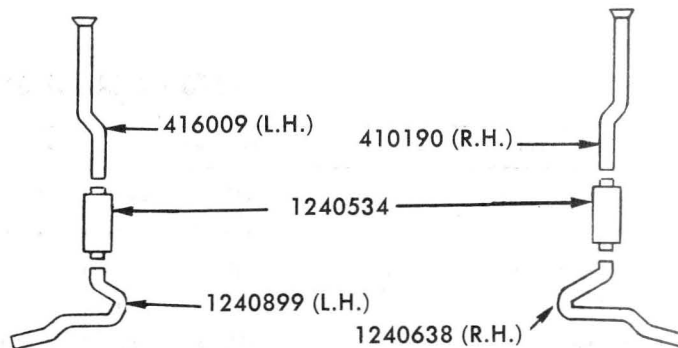
455 CU. IN. ENGINE SPEC. PERF. (Exc. Wagons)



350 CU. IN. ENGINE (Wagons)



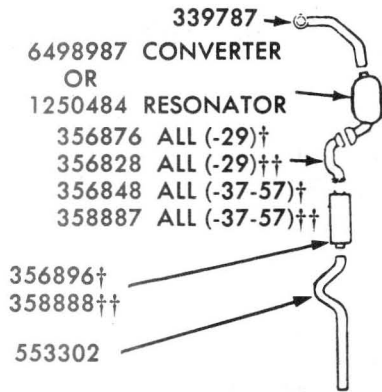
455 CU. IN. ENGINE (Wagons)



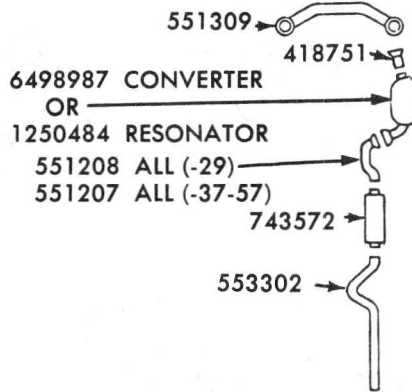


1975 EXHAUST SYSTEM

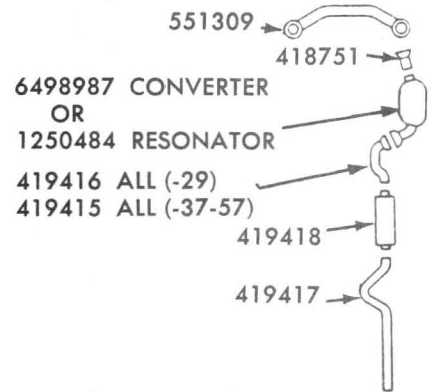
COUPE/SEDAN 250 ENG.



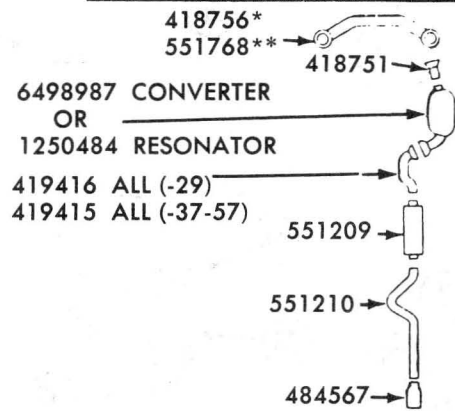
COUPE/SEDAN 260 ENG.



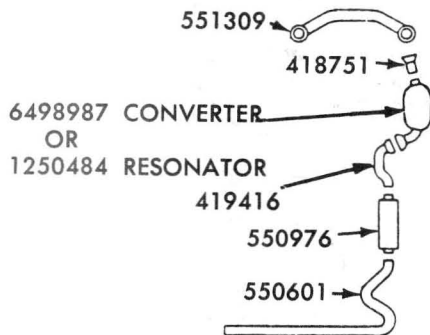
COUPE/SEDAN 350 ENG.



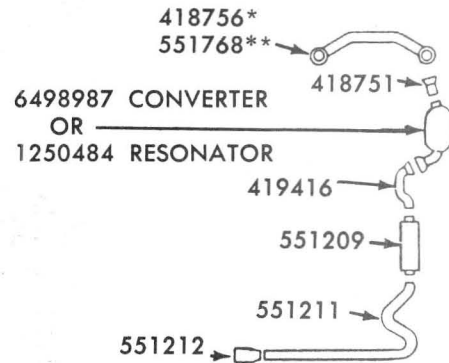
COUPE/SEDAN 455 ENG.



STATION WAGON 350 ENG.



STATION WAGON 455 ENG.

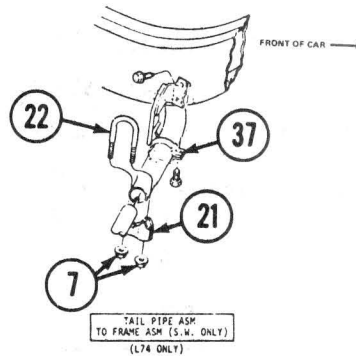
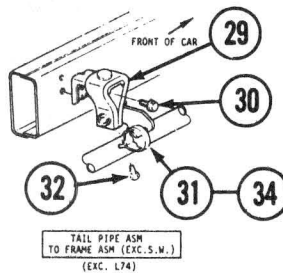
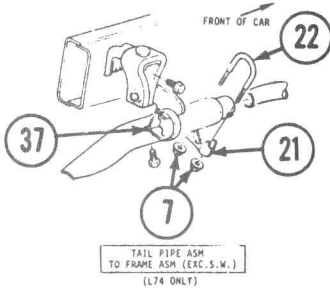
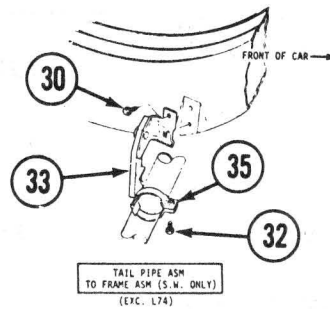
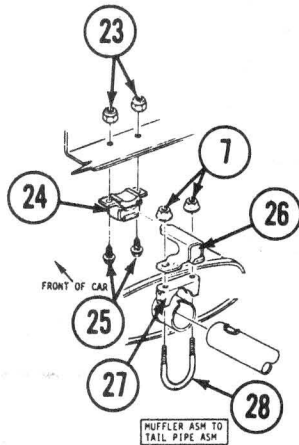
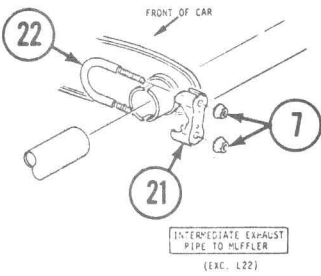
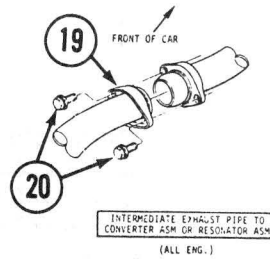
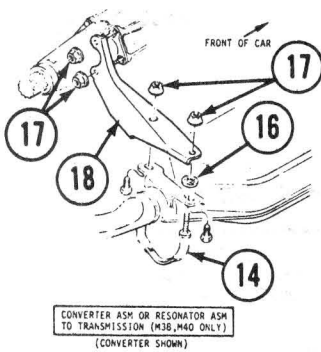
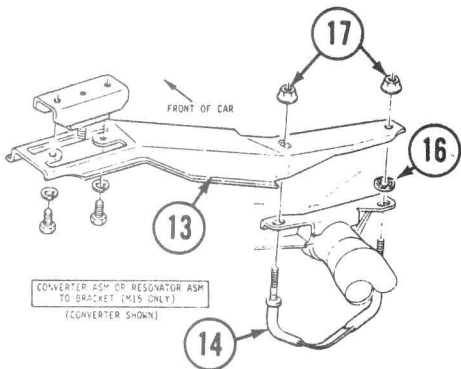
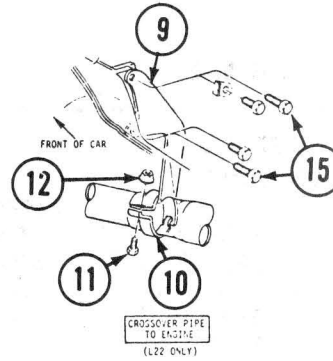
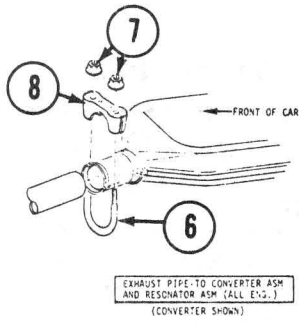
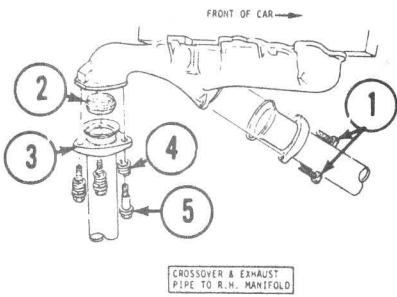


* With Catalytic Converter

** Exc. Catalytic Converter

† 1st Type With 2.250 in. I.D. Muffler Inlet

†† 2nd Type With 2.50 in. I.D. Muffler Inlet



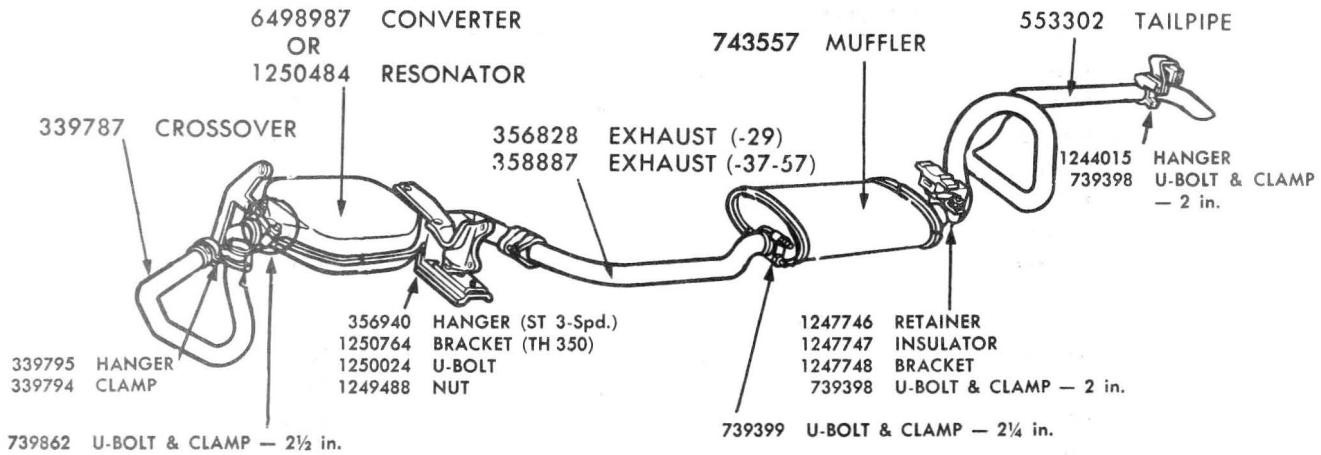
1975 EXHAUST SYSTEM ATTACHING PARTS

1975 EXHAUST SYSTEM ATTACHING PARTS

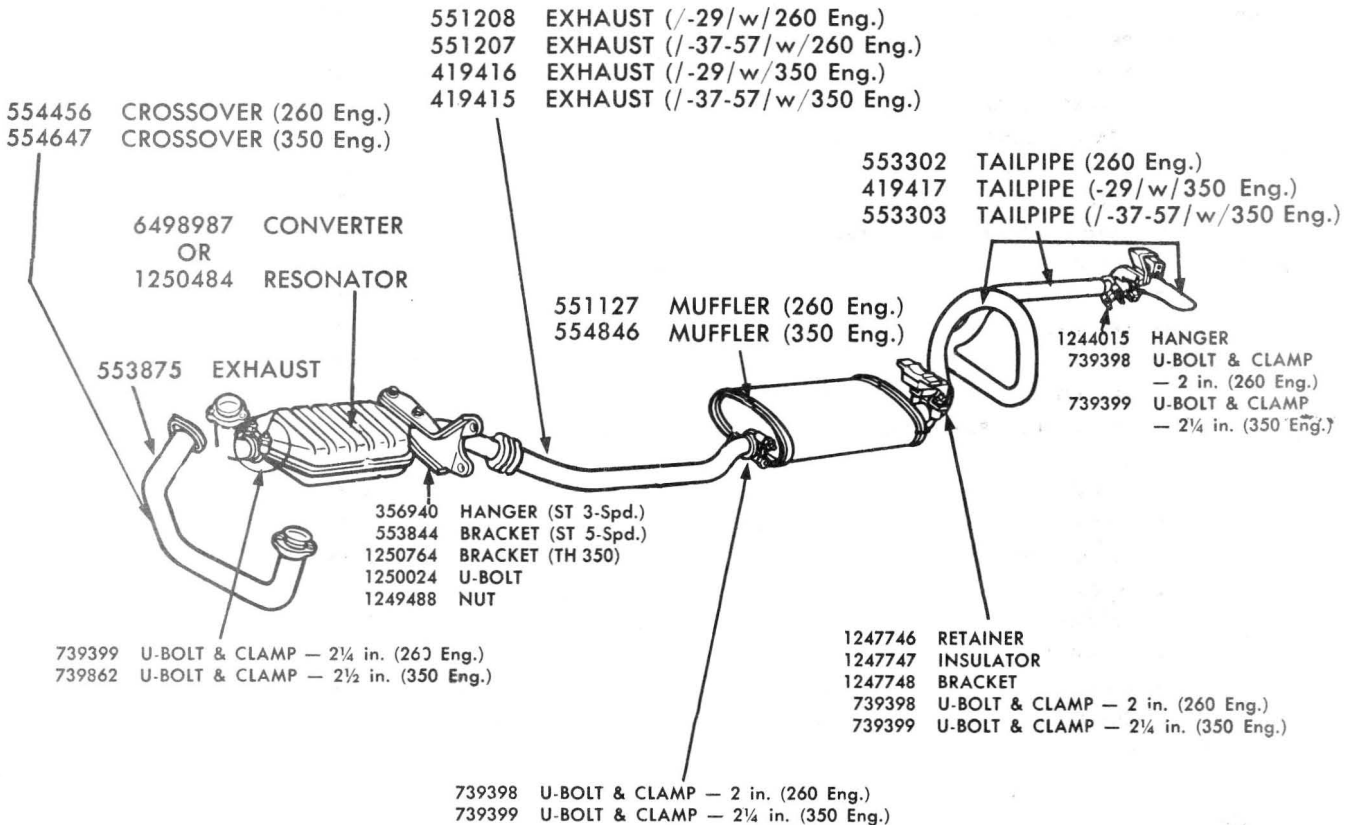
Item	Description	Group
1	BOLT	8.900
2	SEAL	3.611
3	FLANGE	3.610
4	SPRING	3.613
5	BOLT	3.613
6	U-BOLT	3.708
7	WASHER	8.931
	NUT	8.915
8	CLAMP (N.S.S. Part of Key #6)	—
9	HANGER	3.616
10	CLAMP	3.616
11	BOLT	6.606
12	NUT	4.128
13	BRACKET	3.690
14	U-BOLT	3.685
15	BOLT	8.900
16	RETAINER	4.658
17	NUT	3.685
18	BRACKET (M38)	3.685
	BRACKET (M40)	3.690
19	FLANGE (-L22)	3.610
20	BOLT	3.275
21	CLAMP (N.S.S. Part of Key #22)	—
22	U-BOLT	3.708
23	NUT	8.917
24	RETAINER	3.706
25	BOLT	1.428
26	BRACKET	3.706
27	CLAMP (N.S.S. Part of Key #28)	3.708
28	U-BOLT	3.708
29	HANGER	3.616
30	SCREW	8.977
31	CLAMP (-LV8, L22)	3.708
32	SCREW	8.977
33	HANGER	3.706
34	CLAMP (LV8, L22)	3.708
35	CLAMP	3.708
37	CLAMP	3.708

1976 EXHAUST SYSTEMS

6 CYL. ENGINE

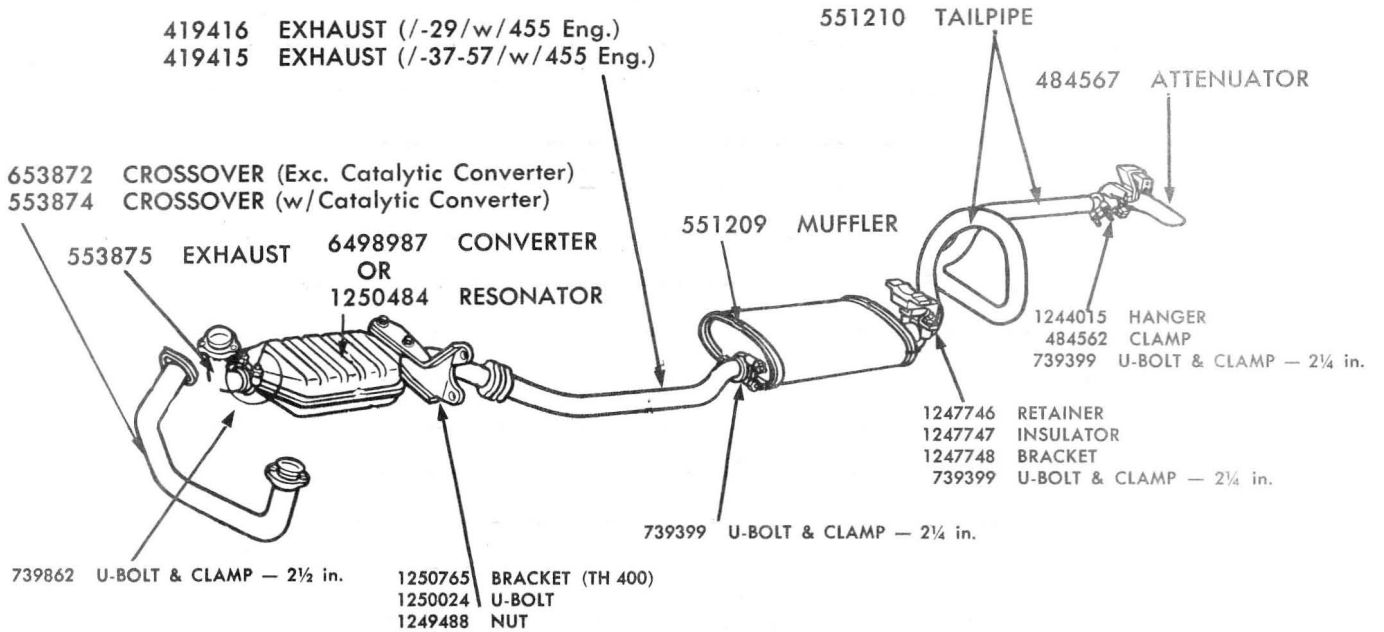


260 AND 350 ENGINE (Exc. Wagons)

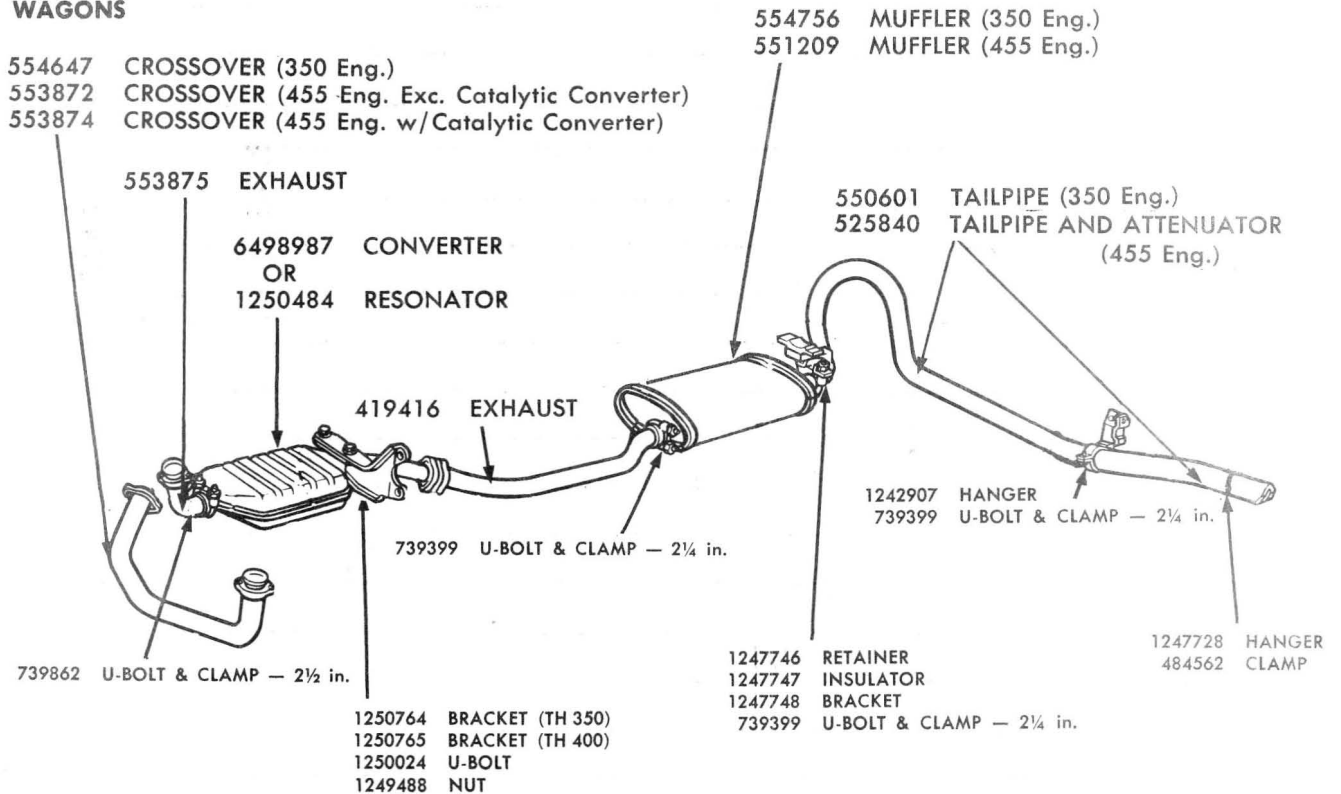


1976 EXHAUST CHART

455 ENGINE (Exc. Wagons)



WAGONS





NOTES

A series of horizontal lines for taking notes, consisting of 25 evenly spaced lines that span the width of the page.

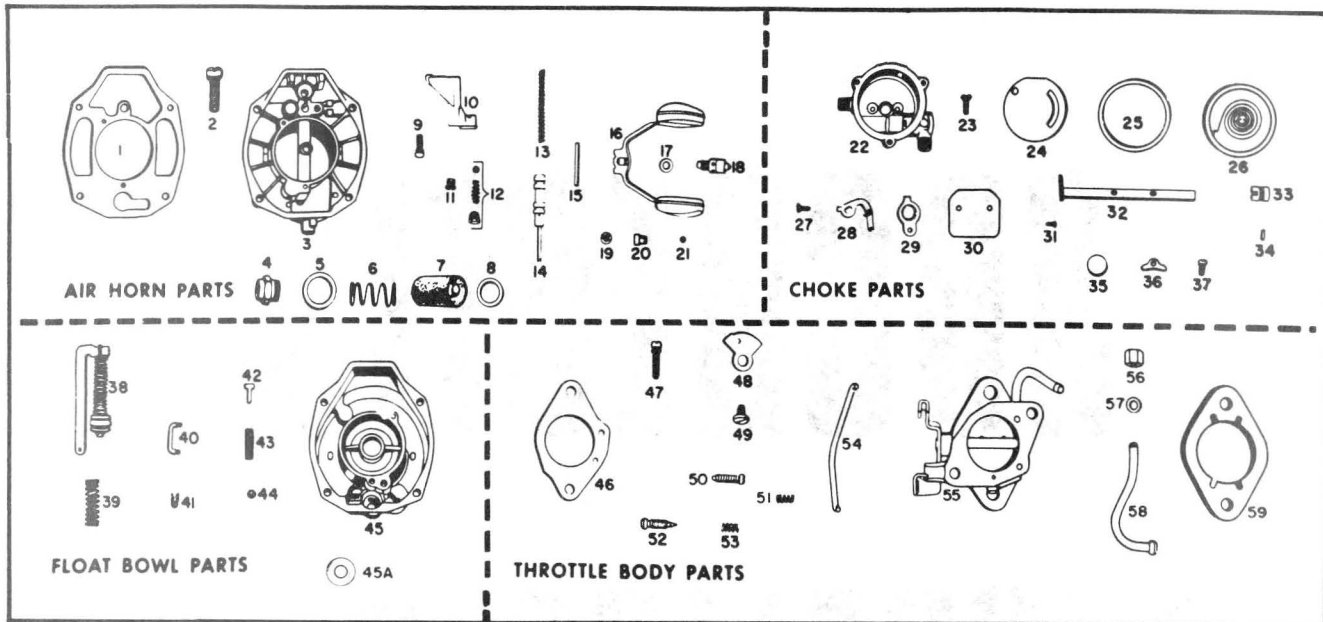
ROCHESTER

CARBURETOR CHART

SECTION

ROCHESTER MODEL BC CARBURETORS

1964-65/V-6 225 CU. INCH ENGINE



PARTS SHOWN ARE FOR IDENTIFICATION ONLY. CONSULT PARTS LIST FOR CORRECT PART NAME AND NUMBER

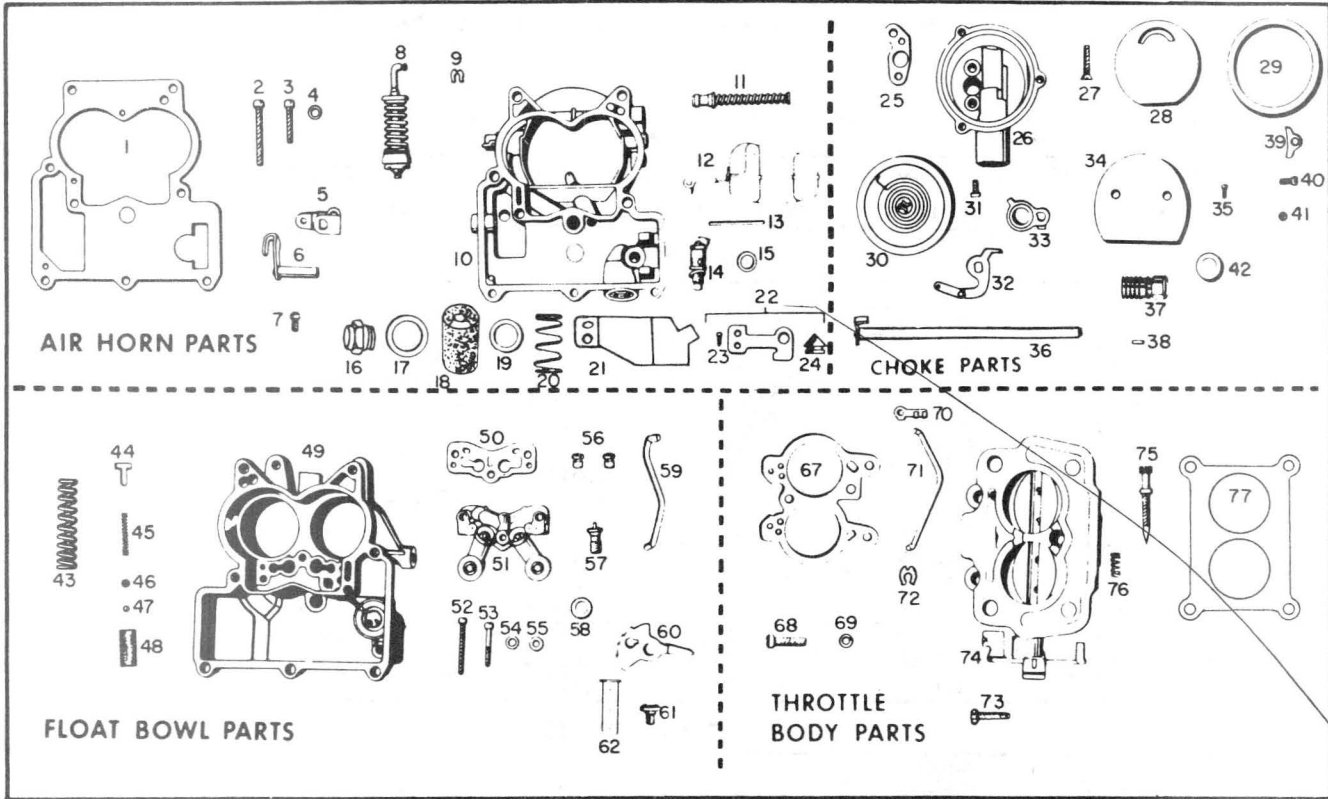
Illus. No.	1964		1965		YEAR
	AUTO. TRANS.	SYNCHROMESH	AUTO. TRANS.	SYNCHROMESH	APPLICATION
	7024148	7024149	7025148	7025149	CARBURETOR No.
	7016406	7016406	7016506	7016507	REPLACEMENT PACKAGE No.
	7016448	7016448	7016448	7016448	OVERHAUL KIT
	7039060	7039060	7039060	7039060	MINOR REPAIR KIT
	7016449	7016449	7016449	7016449	GASKET SET
	7015110	7015110	7015110	7015110	CARB-AIRATOR
	AIR HORN PARTS				
1	NLA	NLA	NLA	NLA	Gasket—Air Horn
2	7026595	7026595	7026595	7026595	Screw—Air Horn Attaching
3	NLA	NLA	7029731	NLA	Air Horn Assembly
4	7040952	7040952	7040952	7040952	Filter Nut—Fuel Inlet
5	7032508	7032508	7032508	7032508	Gasket—Filter Nut
6	7010007	7010007	7010007	7010007	Spring—Fuel Filter
7	7013404	7013404	7013404	7013404	Filter—Fuel Inlet
8	7013584	7013584	7013584	7013584	Gasket—Fuel Filter
9	NLA	NLA	NLA	NLA	Screw—Main Well Support
10	NLA	NLA	NLA	7031000	Main Well Support Assembly
11	7002961	7002961	7002961	7002961	Main Metering Jet (Standard)
11	7002960	7002960	7002960	7002960	Main Metering Jet (Altitude)
12	7026961	7026961	7026961	7026961	Power Valve Assembly
13	7002366	7002366	7002071	7002366	Spring—Power Piston
14	7010002	7010002	7010002	7010002	Piston—Power
15	7002081	7002081	7002081	7002081	Pin—Float Hinge
16	7002672	7002672	7002672	7002672	Float Assembly
17	7025735	7025735	7025735	7025735	Gasket—Needle Seat
18	7023801	7023801	7023801	7023801	Needle and Seat Assembly
19	NLA	NLA	NLA	NLA	Plug—Lead Ball—Idle Passage—Outer
20	7002055	7002055	7002055	7002055	Plug—Idle Passage—Inner
21	7002814	7002814	7002814	7002814	Plug—Lead Ball

1964-65/V-6 225 CU INCH ENGINE — Cont'd

Illus. No.	1964		1965		YEAR
	AUTO. TRANS.	SYNCHROMESH	AUTO. TRANS.	SYNCHROMESH	APPLICATION
	7024148	7024149	7025148	7025149	CARBURETOR No.
CHOKE PARTS					
22	NLA	NLA	NLA	NLA	Choke Housing Assembly
23	7019516	7019516	7019516	7019516	Screw—Choke Housing
24	7006643	7006643	7006643	7006643	Baffle Plate
25	7002760	7002760	7002760	7002760	Gasket—Stat Cover
26	7027812	7027812	7027812	7027812	Stat Cover, Coil and Gasket Assembly
27	7019709	7019709	7019709	7019709	Screw—Choke Piston Lever
28	7027731	7027731	7027731	7027731	Piston Lever and Link Assembly
29	7009262	7009262	7009262	7009262	Choke Lever
30	7011651	7011651	7011651	7011651	Choke Valve
31	7007627	7007627	7007627	7007627	Screw—Choke Valve
32	7022548	7022548	7022548	7022548	Choke Shaft Assembly
33	7021493	7021493	7021493	7021493	Piston—Choke
34	7010746	7010746	7010746	7010746	Pin—Choke Piston
35	7003135	7003135	7003135	7003135	Plug—Expansion
36	7000614	7000614	7000614	7000614	Retainer—Stat Cover
37	7011270	7011270	7011270	7011270	Screw—Stat Cover
FLOAT BOWL PARTS					
38	7010012	7010012	7010012	7010012	Pump Plunger Assembly
39	7005954	7005954	7005954	7005954	Spring—Pump Return
40	7029787	7029787	7029787	7029787	Link—Pump
41	836159	836159	836159	836159	Pin Spring—Pump Link
42	7003838	7003838	7003838	7003838	Guide—Pump Discharge
43	7002118	7002118	7002118	7002118	Spring—Pump Discharge
44	7002117	7002117	7002117	7002117	Ball—Pump Discharge
45	7027813	7027814	7027813	7027814	Float Bowl Assembly
45A	NLA	NLA	NLA	NLA	"O" Ring—Vacuum Channel Tube
THROTTLE BODY PARTS					
46	7025560	7025560	7025560	7025560	Gasket—Throttle Body
47	7015365	7015365	7015365	7015365	Screw—Throttle Body
48	7029554	7026617	7029554	7029502	Cam—Fast Idle
49	7003561	7003561	7003561	7003561	Screw—Cam Attaching
50	7011546	7011546	7029427	7029427	Screw—Fast Idle
51	7001690	7001690	7029428	7029428	Spring Fast Idle Screw
52	7002357	7002357	7002357	7002357	Needle—Idle Adjusting
53	7001666	7001666	7001666	7001666	Spring—Idle Needle
54	NLA	NLA	NLA	NLA	Choke Rod
55	7027815	7027815	7029714	7029714	Throttle Body Assembly
56	7012002	7012002	7012002	7012002	Nut—Choke Suction Tube
57	7002883	7002883	7002883	7002883	Packing—Choke Suction Tube
58	7020421	7020421	7020421	7020421	Choke Suction Tube Assembly
59	3953732	3953732	3953732	3953732	Flange Gasket



ROCHESTER MODEL 2 GC CARBURETORS
1964/V-8 330 CU. INCH ENGINE



PARTS SHOWN ARE FOR IDENTIFICATION ONLY. CONSULT PARTS LIST FOR CORRECT PART NAME AND NUMBER

AUTO. TRANS.	SYNCHROMESH	APPLICATION
7024056	7024058	CARBURETOR No.
7016411	7016411	REPLACEMENT PACKAGE No.
N.L.A.	N.L.A.	OVERHAUL KIT
7039061	7039061	MINOR REPAIR KIT
7016454	7016454	GASKET SET

Illus. No.	AIR HORN PARTS		
1	7021008	7021008	★Gasket — Air Horn
2	7010432	7010432	Screw — Air Horn — Long
3	7006119	7006119	Screw — Air Horn — Short
4	726254	726254	Lockwasher — Air Horn Screws
5	7032377	7032377	Lever — Pump — Inside
6	7036764	7036764	Pump Shaft and Lever Assembly
7	7011270	7011270	Screw — Pump Lever
8	7031824	7031824	★Pump Assembly
9	7005032	7005032	★Clip — Pump Plunger
10	NLA	NLA	Air Horn Assembly
11	7006011	7006011	Power Piston Assembly
12	7021891	7021891	Float Assembly
13	7002081	7002081	Pin — Float Hinge
14	7023813	7023813	★Needle and Seat Assembly
15	7019535	7019535	★Gasket — Needle Seat
16	7040952	7040952	Nut — Fuel Inlet Filter

★ OVERHAUL KIT CONTENTS

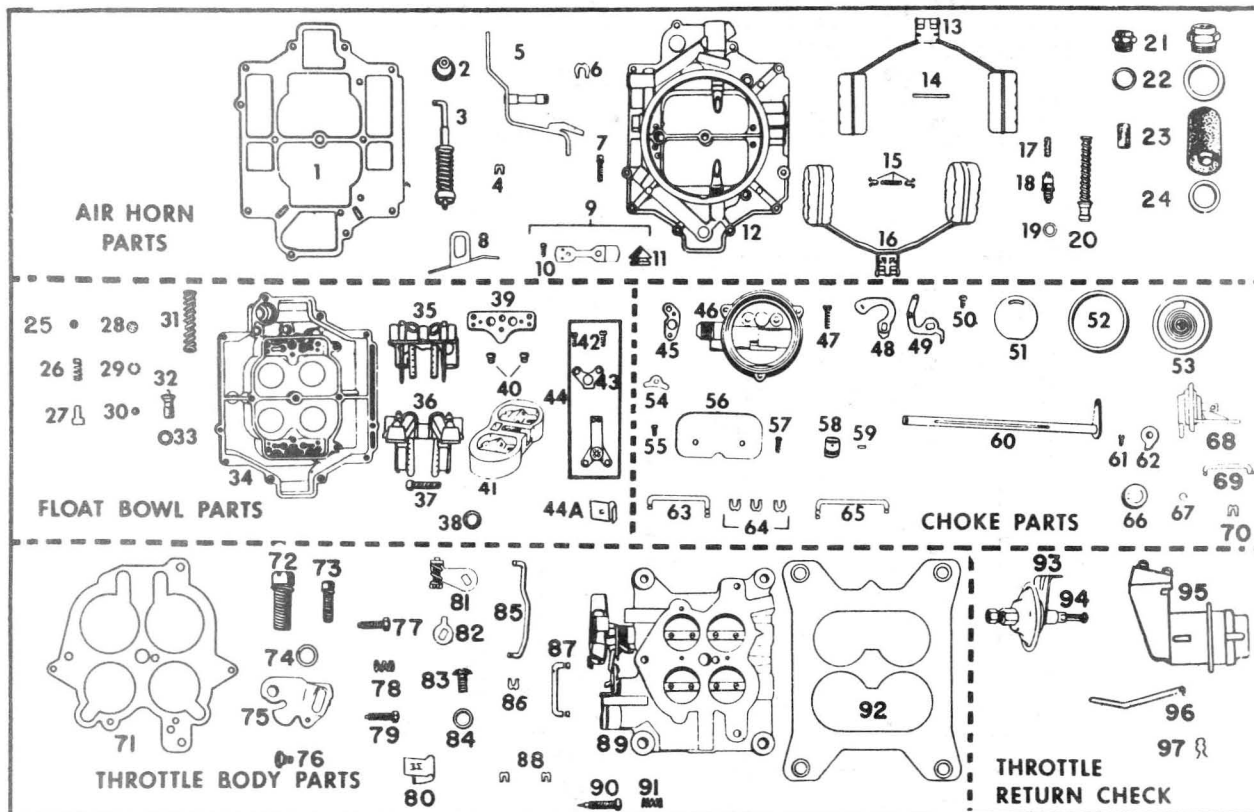
1964/V-8 330 CU. INCH ENGINE — Cont'd

	7024056	7024058	CARBURETOR No.
illus. No.	AIR HORN PARTS (Continued)		
17	7032508	7032508	★Gasket — Filter Nut
18	7013404	7013404	Filter — Fuel Inlet
19	7013584	7013584	★Gasket — Fuel Filter
20	7010007	7010007	Spring — Fuel Filter
21	7012835	7012835	Shield — Idle Vent
22	7012252	7012252	Idle Vent Valve Kit
23	7012548	7012548	Screw — Vent Valve
24	7029993	7029993	Idle Vent Valve
CHOKE PARTS			
25	7007502	7007502	★Gasket — Choke Housing
26	NLA	NLA	Choke Housing Assembly
27	7019516	7019516	Screw — Choke Housing
28	NLA	NLA	Baffle Plate
29	7002760	7002760	★Gasket — Stat Cover
30	7027876	7027876	Stat Cover, Coil and Gasket Assembly
31	7019709	7019709	Screw — Choke Piston Lever
32	NLA	NLA	Choke Piston Lever
33	7026237	7026237	Choke Lever and Collar Assembly
34	7000255	7000255	Choke Valve
35	7007627	7007627	Screw — Choke Valve
36	7024464	7024464	Choke Shaft Assembly
37	7021493	7021493	Choke Piston
38	7010746	7010746	Pin — Choke Piston
39	7000614	7000614	Retainer — Stat Cover
40	7011270	7011270	Screw — Stat Cover
41	7002814	7002814	Plug — Lead Ball
42	7003135	7003135	Plug — Expansion — Large
FLOAT BOWL PARTS			
43	7043600	7043600	★Spring — Pump Return
44	7000286	7000286	★Guide — Pump Discharge
45	7002118	7002118	★Spring — Pump Discharge
46	7002117	7002117	★Ball — Pump Discharge
47	7002120	7002120	★Ball — Pump Inlet Check
48	7004557	7004557	★Strainer — Pump Inlet
49	NLA	NLA	Float Bowl Assembly
50	7019911	7019911	★Gasket — Venturi Cluster
51	7027726	7027726	Venturi Cluster Assembly
52	7000293	7000293	Screw — Cluster — Outer
53	7000294	7000294	Screw — Cluster — Center
54	121841	121841	Lockwasher — Outer Screws
55	7000295	7000295	★Gasket — Center Screw
56	7002658	7002657	Jet — Standard
57	7011989	7011989	★Power Valve Assembly
58	7011990	7011990	★Gasket — Power Valve
59	7021459	7021459	Choke Rod
60	NLA	NLA	Cam — Fast Idle
61	7003561	7003561	Screw — Cam Attaching
62	7021528	7021528	Insert — Main Well
THROTTLE BODY PARTS			
67	7013680	7013680	★Gasket — Throttle Body
68	7015105	7015105	Screw — Throttle Body
69	121744	121744	Lockwasher — Throttle Body Screws
70	7003242	7003242	★Clip — Pump Rod — Upper
71	NLA	NLA	Pump Rod
72	7005032	7005032	★Clip — Pump Rod — Lower
73	7006213	7006213	Idle Stop Screw
74	NLA	NLA	Throttle Body Assembly
75	7042433	7042433	★Idle Needle
76	7011479	7011479	Spring — Idle Needle
77	382940	382940	★Flange Gasket

★ OVERHAUL KIT CONTENTS



ROCHESTER MODEL 4 GC CARBURETORS
 1964/215 & 330 CU. INCH ENGINE



PARTS SHOWN ARE FOR IDENTIFICATION ONLY. CONSULT PARTS LIST FOR CORRECT PART NAME AND NUMBER

	1964		YEAR
	AUTO. TRANS.	SYNCHROMESH	APPLICATION
	7024054	7024055	CARBURETOR No.
	7016408	7016408	REPLACEMENT PACKAGE No.
	NLA	NLA	OVERHAUL KIT
	7039068	7039068	MINOR REPAIR KIT
	7016542	7016542	GASKET SET

Illus. No.	AIR HORN PARTS		
1	7026876	7026876	★Gasket — Air Horn
2	7006372	7006372	★Boot — Pump Plunger
3	7022978	7022978	★Pump Assembly
4	7005032	7005032	★Clip — Pump Plunger
5	7013430	7013430	Pump Shaft and Lever Assembly
6	7007616	7007616	★Clip — Pump Shaft
7	7000249	7000249	Screw — Air Horn
8	7012520	7012520	Shield — Vent Valve
9	7012188	7012188	Idle Vent Valve Kit
10	7012548	7012548	Screw — Idle Vent Valve
11	7029993	7029993	Idle Vent Valve
12	7027869	7027869	Air Horn Assembly
13	7012148	7012148	Primary Float Assembly
14	7001595	7001595	Pin — Float Hinge
15	7001850	7001850	★Float Balance Spring Assembly
16	7012148	7012148	Secondary Float Assembly
17	7006079	7006079	★Strainer — Needle Seat
18	7023811	7023811	★Needle and Seat Assembly — Primary
18	7023807	7023807	★Needle and Seat Assembly — Secondary
19	7019535	7019535	★Gasket — Needle Seat
20	7025738	7025738	Power Piston Assembly
21	7040952	7040952	Strainer Nut
22	7032508	7032508	★Gasket — Strainer Nut
23	7013404	7013404	★Strainer — Fuel Inlet
24	7013584	7013584	★Gasket — Filter

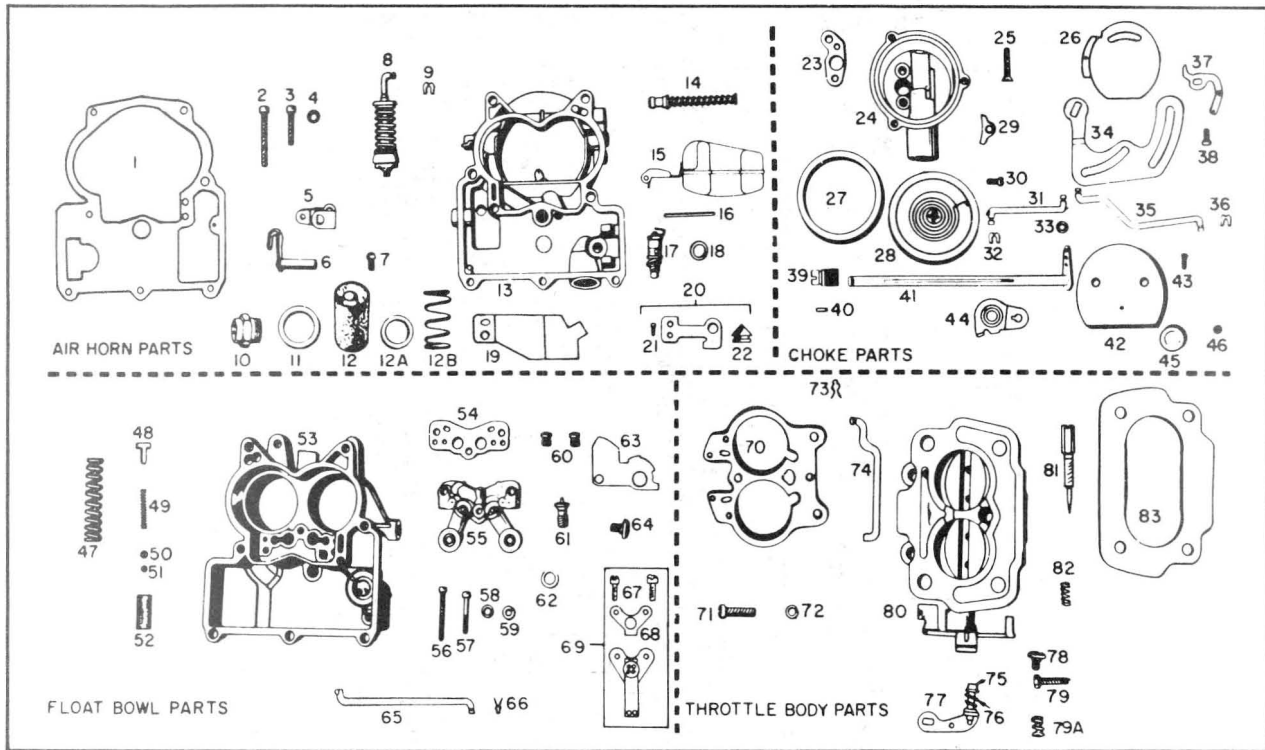
★ OVERHAUL KIT CONTENTS

1964/215 & 330 CU. INCH ENGINE — Cont'd

Illus. No.	1964		YEAR
	AUTO. TRANS.	SYNCHROMESH	APPLICATION
	7024054	7024055	CARBURETOR No.
FLOAT BOWL PARTS			
25	7002117	7002117	★Ball — Pump Discharge
26	7006059	7006059	★Spring — Pump Discharge
27	7003838	7003838	★Guide — Pump Discharge
28	7001604	7001604	★Strainer — Pump Inlet
29	7001605	7001605	★Retainer — Inlet Strainer
30	7002120	7002120	★Ball — Pump Inlet Check
31	7043600	7043600	★Spring — Pump Return
32	7011989	7011989	★Power Valve Assembly
33	7012488	7012488	★Gasket — Power Valve
34	NLA	NLA	Float Bowl Assembly
35	7027662	NLA	Venturi Cluster Assembly — Primary
36	NLA	NLA	Venturi Cluster Assembly — Secondary
37	NLA	NLA	Screw — Cluster Attaching
38	121841	121841	Lockwasher — Cluster Screws
39	7007803	7007803	★Gasket — Venturi Clusters
40	7002656	7002658	Jet — Primary
40	7008678	7008680	Jet — Secondary
41	7015174	7015174	Auxiliary — Throttle Valve Assembly
42	7015127	7015127	Screw — Idle Compensator
43	7013341	7013341	★Gasket — Idle Compensator
44	7028924	7028924	Idle Compensator Kit
44A	—	7019644	Baffle — Main Metering — Primary
CHOKE PARTS			
45	7007502	7007502	★Gasket — Choke Housing
46	7026864	7026864	Choke Housing Assembly
47	7019516	7019516	Screw — Choke Housing
48	7013447	7013447	Intermediate Choke Shaft Assembly
49	7026664	7026664	Choke Piston Lever and Link Assembly
50	7019709	7019709	Screw — Piston Lever
51	7035711	7035711	Baffle Plate
52	7002760	7002760	★Gasket — Stat Cover
53	7027872	7027872	Stat Cover, Coil and Gasket Assembly
54	7000614	7000614	Retainer — Stat Cover
55	7011270	7011270	Screw — Stat Cover
56	7000191	7000191	Choke Valve
57	7007627	7007627	Screw — Choke Valve
58	NLA	NLA	Choke Piston
59	7010746	7010746	Pin — Choke Piston
60	NLA	NLA	Choke Shaft Assembly
61	7019709	7019709	Screw — Trip Lever
62	7000196	7000196	Trip Lever
63	NLA	NLA	Rod — Intermediate Choke
64	836159	836159	★Clip — Intermediate and Choke Rods
65	7026418	7026418	Rod — Choke
66	7003135	7003135	Plug — Expansion
67	7002814	7002814	Plug — Lead Ball
68	7023093	7023093	Vacuum Break Control Assembly
69	NLA	NLA	Link — Control Assembly
70	836159	836159	★Clip — Control Link
THROTTLE BODY PARTS			
71	7013580	7013580	★Gasket — Throttle Body
72	N.L.A.	N.L.A.	Screw — Throttle Body — Large
73	7015105	7015105	Screw — Throttle Body — Small
74	121744	121744	Lockwasher — Small Screws
75	7026921	7026921	Cam — Fast Idle
76	7003561	7003561	Screw — Cam Attaching
77	7011546	7011546	Fast Idle Screw
78	7001690	7001690	Spring — Fast Idle Screw
79	NLA	NLA	Idle Stop Screw
80	NLA	NLA	Clip — Idle Stop Screw
81	NLA	NLA	Fast Idle Lever Assembly
82	NLA	NLA	Lever — Secondary Lockout
83	7010435	7010435	Screw — Fast Idle and Sec. Lockout Levers
84	7010354	7010354	Washer—Spacer—Fast Idle & Sec. Lock. Levers
85	7028587	7028587	Rod — Pump
86	7005032	7005032	★Clip — Pump Rod
87	N.L.A.	N.L.A.	Link — Secondary Lever
88	7005032	7005032	★Clip — Secondary Lever Link
89	NLA	NLA	Throttle Body Assembly
90	7042433	7042433	★Idle Needle
91	7011479	7011479	Spring — Idle Needle
92	573280	573280	★Gasket — Flange
THROTTLE RETURN CHECK PARTS			
93	—	—	Throttle Return Check Assembly
94	—	—	Contact Screw
95	—	—	Throttle Retard Unit
96	—	—	Link — Throttle Retard
97	—	—	Clip — Retard Link

★ OVERHAUL KIT CONTENTS

ROCHESTER MODEL 2 GC CARBURETORS
1965/V-8 330 CU. INCH ENGINE



PARTS SHOWN ARE FOR IDENTIFICATION ONLY. CONSULT PARTS LIST FOR CORRECT PART NAME AND NUMBER

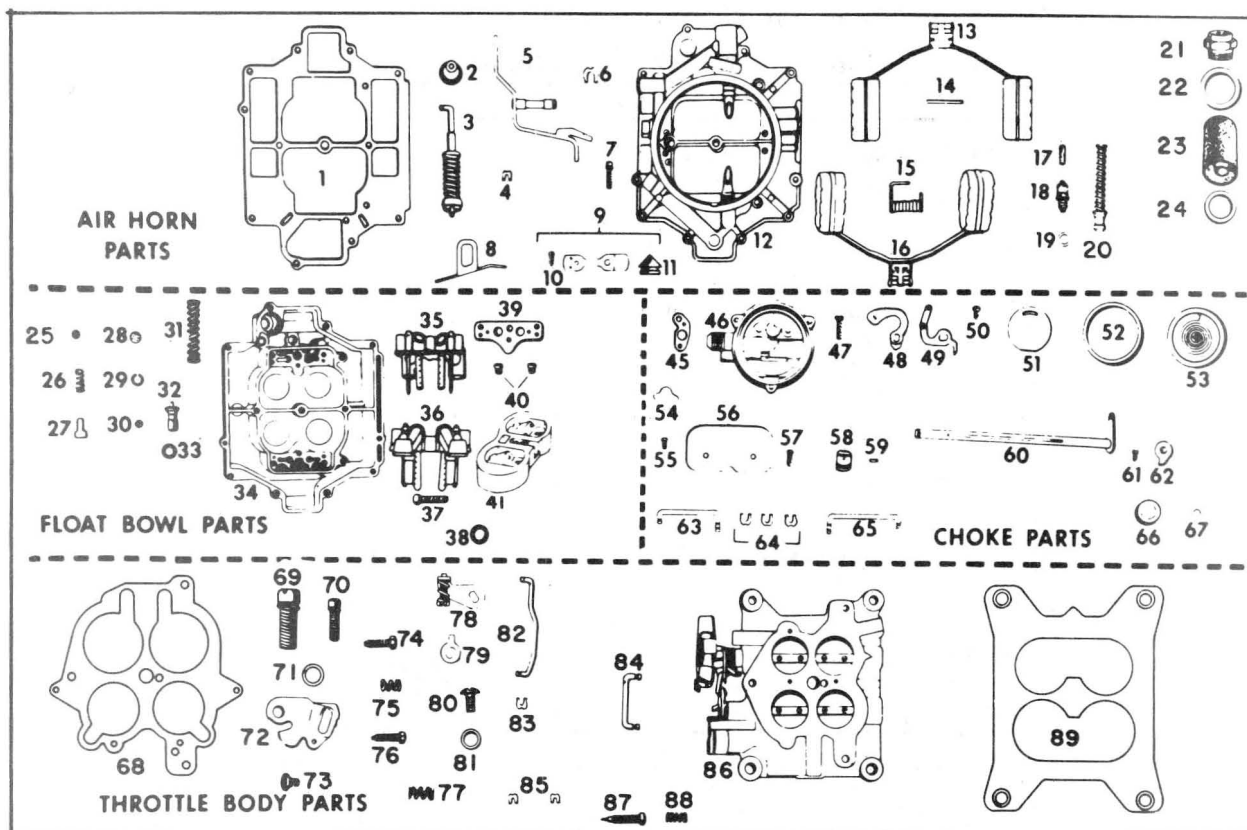
	AUTO. TRANS.	SYNCHROMESH	APPLICATION
	7025056	7025058	CARBURETOR No.
	7016647	7041837	REPLACEMENT PACKAGE No.
	7031420	7031420	OVERHAUL KIT
	7039135	7039135	MINOR REPAIR KIT
	7016552	7016552	GASKET SET
Illus. No.			
1	7026942	7026942	Gasket—Air Horn
2	7010432	7010432	Screw—Air Horn—Long
3	7006119	7006119	Screw—Air Horn—Short
4	726254	726254	Lockwasher—Air Horn Screws
5	7032377	7032377	Lever—Pump—Inside
6	7036764	7036764	Pump Shaft and Lever Assembly
7	7011270	7011270	Screw—Pump Lever
8	7032829	7032829	Pump Assembly
9	7005032	7005032	Clip—Pump Plunger
10	7040952	7040952	Filter Nut—Fuel Inlet
11	7032508	7032508	Gasket—Filter Nut
12	7013404	7013404	Filter—Fuel Inlet
12A	7013584	7013584	Gasket—Filter
12B	7010007	7010007	Spring—Fuel Filter
13	7031495	7031495	Air Horn Assembly
14	7006323	7006323	Power Piston Assembly
15	7021891	7021891	Float Assembly
16	7010037	7010037	Pin—Float Hinge
17	7023813	7023813	Needle and Seat Assembly
18	7019535	7019535	Gasket—Needle Seat
19	7012835	7012835	Shield—Idle Vent
20	7012252	7012252	Idle Vent Valve Kit
21	7012548	7012548	Screw—Idle Vent
22	7029993	7029993	Valve—Idle Vent

1965/V-8 330 CU. INCH ENGINE — Cont'd

	AUTO. TRANS.	SYNCHROMESH	APPLICATION
	7025056	7025058	CARBURETOR No.—F-85
CHOKE PARTS			
Illus. No.			
23	7013995	7013995	Gasket—Choke Housing
24	7034288	7034288	Choke Housing Assembly
25	7013704	7013704	Screw—Choke Housing
26	7035711	7035711	Baffle Plate
27	7002760	7002760	Gasket—Stat Cover
28	7029727	7029727	Stat Cover, Coil and Gasket Assembly
29	7000614	7000614	Retainer—Stat Cover
30	7011270	7011270	Screw—Stat Cover
31	7016682	7016682	Rod—Choke
32	836159	836159	Clip—Choke Rod
33	7002287	7002287	Washer—Choke Rod
34	7017988	7017988	Intermediate Choke Shaft Assembly
35	7016683	7016683	Intermediate Choke Rod
36	836159	836159	Clip—Intermediate Choke Rod
37	7026683	7026683	Choke Lever and Link Assembly
38	7019709	7019709	Screw—Piston Lever Attaching
39	7029699	7029699	Choke Piston
40	7004748	7004748	Pin—Choke Piston
41	7020667	7020667	Choke Shaft Assembly
42	7033443	7033443	Choke Valve
43	7007627	7007627	Screw—Choke Valve
44	7020669	7020669	Choke Lever and Collar Assembly
45	7003135	7003135	Plug—Expansion—Large
46	7006475	7006475	Plug—Expansion—Small
FLOAT BOWL PARTS			
47	7043600	7043600	Spring—Pump Return
48	7000286	7000286	Guide—Pump Discharge
49	7002118	7002118	Spring—Pump Discharge
50	7002117	7002117	Ball—Pump Discharge
51	7002120	7002120	Ball—Pump Inlet Check
52	7004557	7004557	Screen—Pump Inlet
53	7029728	7029728	Float Bowl Assembly
54	7019533	7019533	Gasket—Venturi Cluster
55	NLA	7029679	Venturi Cluster Assembly
56	7008502	7008502	Screw—Venturi Cluster—Outer
57	7009077	7009077	Screw—Venturi Cluster—Center
58	7008892	7008892	Gasket—Center Screw
59	726254	726254	Lockwasher—Outer Screws
60	7008663	7008663	Jet—Standard
61	7011989	7011989	Power Valve Assembly
62	7011990	7011990	Gasket—Power Valve
63	7029533	7029533	Cam—Fast Idle
64	7003561	7003561	Screw—Cam Attaching
65	7020684	7020684	Rod—Choke Unloader
66	1875293	1875293	Clip—Unloader Rod
THROTTLE BODY PARTS			
70	7038185	7038185	GASKET- THROTTLE
71	7015105	7015105	Screw—Throttle Body
72	121744	121744	Lockwasher—Throttle Body Screw
73	1875293	1875293	Clip—Pump Rod
74	7029658	7029658	Pump Rod
75	7013347	7013347	Fast Idle Screw
76	7001690	7001690	Spring—Fast Idle Screw
77	7035727	7035727	Fast Idle Lever Assembly
78	7010435	7010435	Screw—Fast Idle Lever
79	7002121	7002121	Idle Stop Screw
79A	7009728	7009728	Spring—Idle Stop Screw
80	7034559	7034559	Throttle Body Assembly
81	7042433	7042433	Idle Needle
82	7011479	7011479	Spring—Idle Needles
83	578912	578912	Gasket—Flange



ROCHESTER MODEL 4 GC CARBURETORS
1965/330 CU. INCH ENGINE



PARTS SHOWN ARE FOR IDENTIFICATION ONLY. CONSULT PARTS LIST FOR CORRECT PART NAME AND NUMBER

AUTO. TRANS.	SYNCHROMESH	APPLICATION
7025054	7025055	CARBURETOR No.
N.L.A.	N.L.A.	REPLACEMENT PACKAGE No.
7016536	7016536	OVERHAUL KIT
7039068	7039068	MINOR REPAIR KIT
7016542	7016542	GASKET SET

Illus. No.	AIR HORN PARTS		
1	7028964	7028964	Gasket—Air Horn
2	7006372	7006372	Boot—Pump Plunger
3	7022978	7022978	Pump Assembly
4	7005032	7005032	Clip—Pump Plunger
5	7013430	7013430	Pump Shaft and Lever Assembly
6	7007616	7007616	Clip—Pump Shaft
7	7000249	7000249	Screw—Air Horn
8	7012520	7012520	Shield—Vent Valve
9	7012188	7012188	Idle Vent Valve Kit
10	7012548	7012548	Screw—Idle Vent Valve
11	7029993	7029993	Idle Vent Valve
12	7029737	7029737	Air Horn Assembly
13	NLA	NLA	Primary Float Assembly
14	7001595	7001595	Pin—Float Hinge
15	7029646	7029646	Torsion Spring
16	NLA	NLA	Secondary Float Assembly
17	7006079	7006079	Strainer—Needle Seat
18	7023807	7023807	Needle and Seat Assembly—Primary
18	7023811	7023811	Needle and Seat Assembly—Secondary
19	7019535	7019535	Gasket—Needle Seat
20	7025738	7025738	Power Piston Assembly
21	7040952	7040952	Strainer Nut
22	7032508	7032508	Gasket—Strainer Nut
23	7013404	7013404	Strainer—Fuel Inlet
24	7013584	7013584	Gasket—Filter



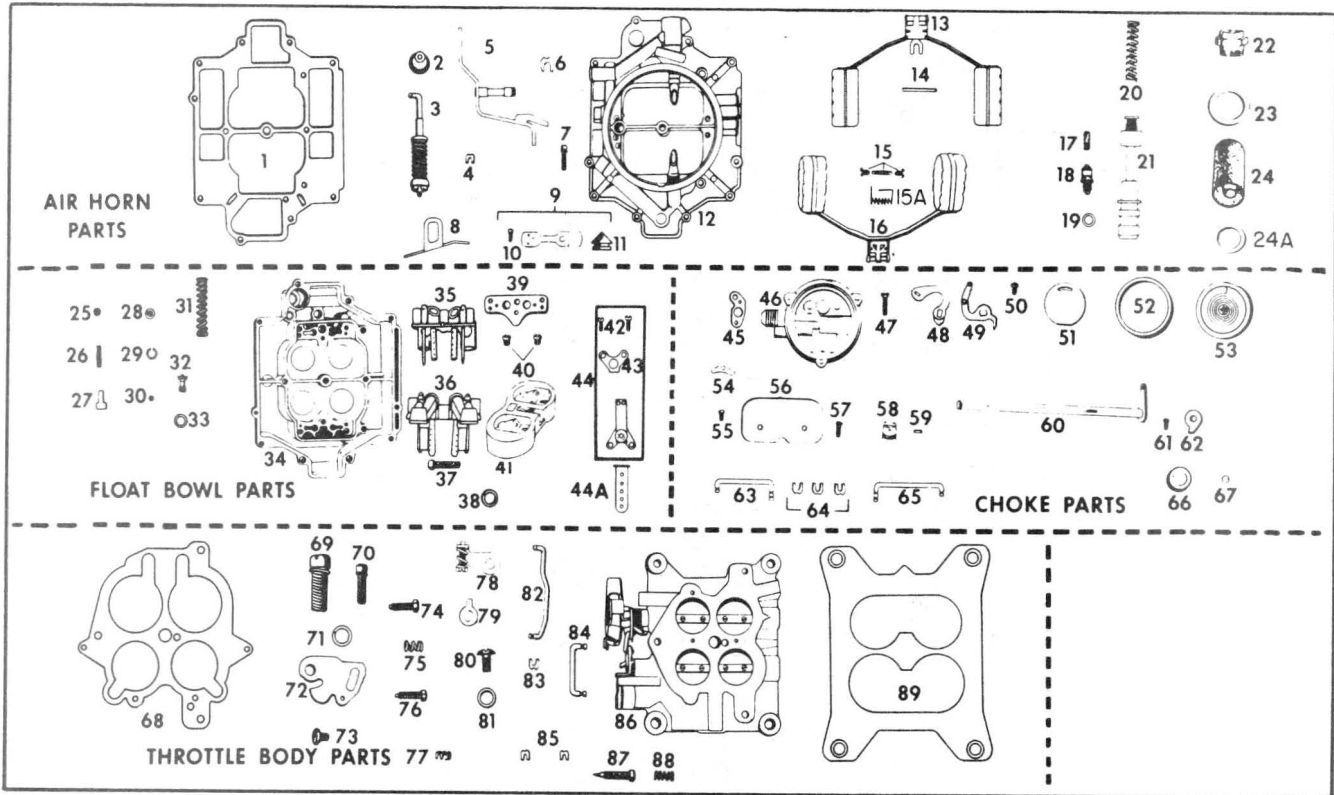
F-85
OLDSMOBILE

PARTS CATALOGUE

1965/330 CU. INCH ENGINE — Cont'd

	AUTO. TRANS.	SYNCHROMESH	APPLICATION
	7025054	7025055	CARBURETOR No.
Illus. No.	FLOAT BOWL PARTS		
25	7002117	7002117	Ball—Pump Discharge
26	7006059	7006059	Spring—Pump Discharge
27	7003838	7003838	Guide—Pump Discharge
28	7001604	7001604	Strainer—Pump Inlet
29	7001605	7001605	Retainer—Inlet Strainer
30	7002120	7002120	Ball—Pump Inlet Check
31	7043600	7043600	Spring—Pump Return
32	7011989	7011989	Power Valve Assembly
33	7012488	7012488	Gasket—Power Valve
34	NLA	NLA	Float Bowl Assembly
35	NLA	NLA	Venturi Cluster Assembly—Primary
36	NLA	NLA	Venturi Cluster Assembly—Secondary
37	NLA	NLA	Screw—Cluster Attaching
38	121841	121841	Lockwasher—Cluster Screws
39	7007803	7007803	Gasket—Venturi Clusters
40	7002653	7002654	Jet—Primary
40	7008678	7008678	Jet—Secondary
41	7015174	7015174	Auxiliary—Throttle Valve Assembly
	CHOKE PARTS		
45	7007502	7007502	Gasket—Choke Housing
46	N.L.A.	N.L.A.	Choke Housing Assembly
47	7019516	7019516	Screw—Choke Housing
48	7013447	7013447	Intermediate Choke Shaft Assembly
49	NLA	NLA	Choke Piston Lever and Link Assembly
50	7019709	7019709	Screw—Piston Lever
51	7035711	7035711	Baffle Plate
52	7002760	7002760	Gasket—Stat Cover
53	7029733	7029733	Stat Cover, Coil and Gasket Assembly
54	7000614	7000614	Retainer—Stat Cover
55	7011270	7011270	Screw—Stat Cover
56	7000191	7000191	Choke Valve
57	7007627	7007627	Screw—Choke Valve
58	NLA	NLA	Choke Piston
59	7010746	7010746	Pin—Choke Piston
60	7013828	7013828	Choke Shaft Assembly
61	7019709	7019709	Screw—Trip Lever
62	7000196	7000196	Trip Lever
63	NLA	NLA	Rod—Intermediate Choke
64	836159	836159	Clip—Intermediate and Choke Rods
65	7026418	7026418	Rod—Choke
66	7003135	7003135	Plug—Expansion
67	7002814	7002814	Plug—Lead Ball
	THROTTLE BODY PARTS		
68	7013580	7013580	Gasket—Throttle Body
69	N.L.A.	N.L.A.	Screw—Throttle Body—Large
70	7015105	7015105	Screw—Throttle Body—Small
71	121744	121744	Lockwasher—Small Screws
72	NLA	NLA	Cam—Fast Idle
73	7003561	7003561	Screw—Cam Attaching
74	7011546	7011546	Fast Idle Screw
75	7001690	7001690	Spring—Fast Idle Screw
76	7002121	7002121	Idle Stop Screw
77	7009728	7009728	Spring—Idle Stop Screw
78	NLA	NLA	Fast Idle Lever Assembly
79	NLA	NLA	Lever—Secondary Lockout
80	7010435	7010435	Screw—Fast Idle and Sec. Lockout Levers
81	7010354	7010354	Washer—Spacer—Fast Idle & Sec. Lock. Levers
82	7028587	7028587	Rod—Pump
83	7005032	7005032	Clip—Pump Rod
84	N.L.A.	N.L.A.	Link—Secondary Lever
85	7005032	7005032	Clip—Secondary Lever Link
86	NLA	NLA	Throttle Body Assembly
87	7042433	7042433	Idle Needle
88	7011479	7011479	Spring—Idle Needle
89	573280	573280	Gasket—Flange

1965 ROCHESTER MODEL 4 GC CARBURETORS
4-4-2 HIGH PERFORMANCE V-8



PARTS SHOWN ARE FOR IDENTIFICATION ONLY. CONSULT PARTS LIST FOR CORRECT PART NAME AND NUMBER

	400 CU. IN.	APPLICATION
	7025150	STANDARD CARBURETOR No.
	NLA	REPLACEMENT PACKAGE No. (STANDARD)
	7016439	OVERHAUL KIT
	7039072	MINOR REPAIR KIT
	7016440	GASKET SET
	NLA	ALTITUDE KIT

Illus. No.		AIR HORN PARTS
1	7026876	Gasket—Air Horn
2	7006372	Boot—Pump Plunger
3	7022992	Pump Assembly
4	7005032	Clip—Pump Plunger
5	7013430	Pump Shaft and Lever Assembly
6	7007616	Clip—Pump Shaft
7	7000249	Screw—Air Horn
8	7012520	Shield—Idle Vent Valve
9	7012188	Idle Vent Valve Kit
10	7012548	Screw—Idle Vent Valve
11	7029993	Idle Vent Valve
12	NLA	Air Horn Assembly (Standard)
12	NLA	Air Horn Assembly (Air Cond.)
13	7029794	Primary Float Assembly (Standard)
13	7029794	Primary Float Assembly (Air Cond.)
14	7001595	Pin—Float Hinge
15	—	Float Balance Spring Assembly (Secondary Only)
15A	NLA	Torsion Spring (Secondary Only)
16	NLA	Secondary Float Assembly (Standard)
16	NLA	Secondary Float Assembly (Air Cond.)
17	7006079	Strainer—Needle Seat
18	7023811	Needle and Seat Assembly—Primary
18	7023807	Needle and Seat Assembly—Secondary
19	7019535	Gasket—Needle Seat
20	7012515	Spring—Power Piston
21	7011947	Power Piston Assembly

4-4-2 HIGH PERFORMANCE V-8 — Cont'd

	400 CU. IN.	APPLICATION
	7025150	CARBURETOR No.

Illus. No.	AIR HORN PARTS (Continued)	
22	7040954	Filter Nut
23	7032508	Gasket—Filter Nut
24	7013404	Filter—Fuel Inlet
24A	7013584	Gasket—Filter

FLOAT BOWL PARTS

25	7002117	Ball—Pump Discharge
26	7006059	Spring—Pump Discharge
27	7003838	Guide—Pump Discharge
28	7001604	Strainer—Pump Inlet
29	7001605	Retainer—Inlet Strainer
30	7002120	Ball—Pump Inlet Check
31	7008694	Spring—Pump Return
32	Disc'd	Power Valve Assembly
33	7012488	Gasket—Power Valve
34	NLA	Float Bowl Assembly
35	NLA	Venturi Cluster Assembly—Primary
36	NLA	Venturi Cluster Assembly—Secondary
37	NLA	Screw—Cluster Attaching
38	121841	Lockwasher—Cluster Screws
39	7007803	Gasket—Venturi Clusters
40	7002653	Jet—Primary
40	7008681	Jet—Secondary
41	7015174	Auxiliary Throttle Valve Assembly
42	7015127	Screw—Idle Compensator (Air Cond. Carbs)
43	7013341	Gasket—Idle Compensator (Air Cond. Carbs)
44	7028924	Idle Compensator Kit (Air Cond. Carbs)
44A	7021029	Insert—Main Well—Primary

CHOKE PARTS

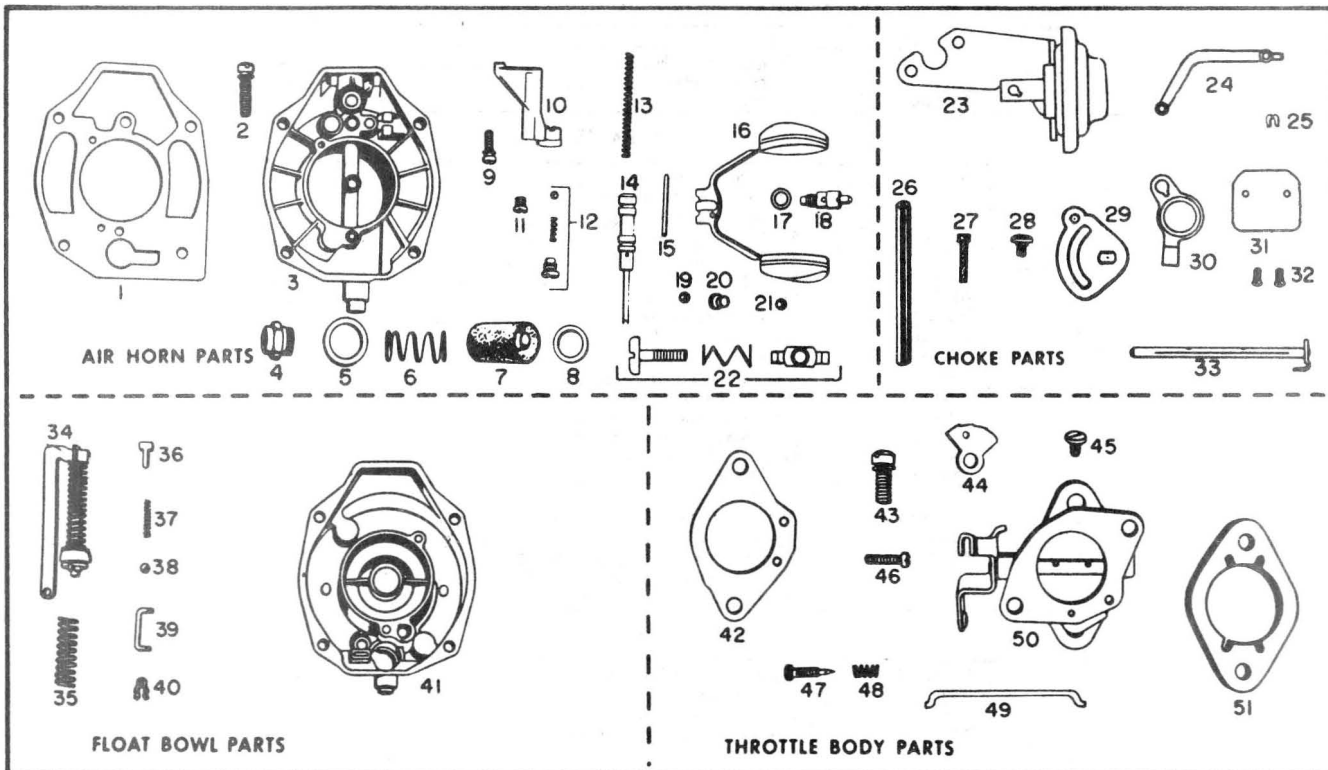
45	7007502	Gasket—Choke Housing
46	NLA	Choke Housing Assembly
47	7019516	Screw—Choke Housing
48	7013447	Intermediate Choke Shaft Assembly
49	NLA	Choke Piston Lever and Link Assembly
50	7019709	Screw—Piston Lever
51	7035711	Baffle Plate
52	7002760	Gasket—Stat Cover
53	7029733	Stat Cover, Coil and Gasket Assembly
54	7000614	Retainer—Stat Cover
55	7011270	Screw—Stat Cover
56	7000191	Choke Valve
57	7007627	Screw—Choke Valve
58	NLA	Choke Piston
59	7010746	Pin—Choke Piston
60	7013828	Choke Shaft Assembly
61	7019709	Screw—Trip Lever
62	7000196	Trip Lever
63	NLA	Rod—Intermediate Choke
64	836159	Clip—Intermediate and Choke Rods
65	7026418	Rod—Choke
66	7003135	Plug—Expansion
67	7002814	Plug—Lead Ball

THROTTLE BODY PARTS

68	7028569	Gasket—Throttle Body
69	N.L.A.	Screw—Throttle Body—Large
70	7015105	Screw—Throttle Body—Small
71	121744	Lockwasher—Small Screws
72	NLA	Cam—Fast Idle
73	7003561	Screw—Cam Attaching
74	7011546	Fast Idle Screw
75	7001690	Spring—Fast Idle Screw
76	7002121	Idle Stop Screw
77	7009728	Spring—Idle Stop Screw
78	NLA	Fast Idle Lever Assembly
79	NLA	Lever—Secondary Lockout
80	7010435	Screw—Fast Idle and Secondary Lockout Levers
81	7010354	Washer—Spacer—Fast Idle and Sec. Lockout Levers
82	7028587	Rod—Pump
83	7005032	Clip—Pump Rod
84	N.L.A.	Link—Secondary Lever
85	7005032	Clip—Secondary Lever Link
86	7029734	Throttle Body Assembly
87	7042433	Idle Needle
88	7011479	Spring—Idle Needle
89	573280	Gasket—Flange



1966-67 ROCHESTER CARBURETOR MODEL BV
FOR 250 CUBIC INCH ENGINE



PARTS SHOWN ARE FOR IDENTIFICATION ONLY. CONSULT PARTS LIST FOR CORRECT PART NAME AND NUMBER

POWERGLIDE	SYNCHROMESH	APPLICATION
7026028	7026027	CARBURETOR No.
7036680	7036680	REPLACEMENT PACKAGE No.
7016553	7016553	OVERHAUL KIT
7039062	7039062	MINOR REPAIR KIT
7016351	7016351	GASKET SET

Illus. No.	AIR HORN PARTS		
1	7026514	7026514	Gasket—Air Horn
2	7003823	7003823	Screw—Air Horn
3	NLA	7031467	Air Horn Assembly
4	7040952	7040952	Filter Nut—Fuel Inlet
5	7032508	7032508	Gasket—Filter Nut
6	7010007	7010007	Spring—Fuel Inlet
7	7013404	7013404	Filter—Fuel Inlet
8	7013584	7013584	Gasket—Fuel Filter
9	NLA	NLA	Screw—Main Well Support
10	7032613	N.L.A.	Main Well Support Assembly
11	7002658	7002659	Jet—Standard
12	7026961	7026961	Power Valve Assembly

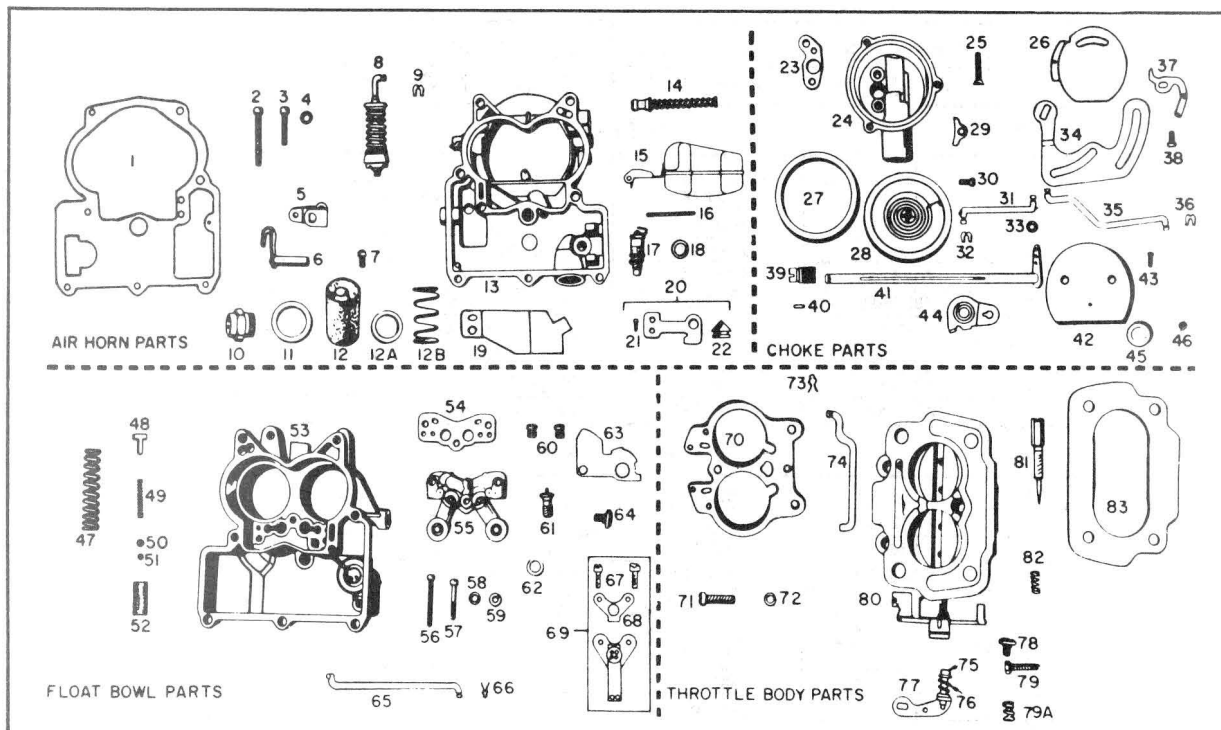
**1966-67 ROCHESTER CARBURETOR MODEL BV — CONT'D
FOR 250 CUBIC INCH ENGINE**

	POWERGLIDE 7026028	SYNCHROMESH 7026027	APPLICATION CARBURETOR No.
Illus. No.	AIR HORN PARTS (Cont'd)		
13	7002896	7002896	Spring—Power Piston
14	7027765	7027765	Power Piston Assembly
15	7002081	7002081	Pin—Float Hinge
16	7002672	7002672	Float Assembly
17	7025735	7025735	Gasket—Needle Seat
18	7023801	7023801	Needle and Seat Assembly
19	NLA	NLA	Plug—Lead Ball—Idle Passage—Outer
20	7002055	7002055	Plug—Idle Passage—Inner
21	7002814	7002814	Plug—Lead Ball
22	7025599	7025599	Idle Vent Valve Kit
	CHOKE PARTS		
23	7025091	7025091	Vacuum Break Control Assembly
24	7022554	7022554	Rod—Vacuum Control
25	836159	836159	Clip—Control Rod
26	7026339	7026339	Hose—Vacuum
27	7011270	7011270	Screw—Vacuum Control Attaching
28	7019709	7019709	Screw—Stat Rod Lever
29	7022550	7022550	Lever—Stat Rod
30	7009262	7009262	Choke Lever
31	7011651	7011651	Choke Valve
32	7007627	7007627	Screw—Choke Valve
33	7022548	7022548	Choke Shaft Assembly
	FLOAT BOWL PARTS		
34	7025530	7025530	Pump Plunger Assembly
35	7005954	7005954	Spring—Pump Return
36	7003838	7003838	Guide—Pump Discharge
37	7002118	7002118	Spring—Pump Discharge
38	7002117	7002117	Ball—Pump Discharge
39	7029787	7029787	Link—Pump
40	836159	836159	Pin Spring—Pump Link
41	7021778	7021778	Float Bowl Assembly
	THROTTLE BODY PARTS		
42	7025560	7025560	Gasket—Throttle Body
43	7015365	7015365	Screw—Throttle Body
44	7029554	7025345	Cam—Fast Idle
45	7003561	7003561	Screw—Cam Attaching
46	7013347	7013347	Screw—Idle Stop
47	7002357	7002357	Needle—Idle Adjusting
48	7001666	7001666	Spring—Idle Needle
49	7028996	7028996	Choke Rod
50	7029752	7029751	Throttle Body Assembly
51	3953732	3953732	Gasket—Flange

IDLE SPEED-UP CONTROL (Air Conditioned Cars)	
NLA	Idle Speed-up Control Assembly
7022237	Diaphragm and Bracket Assembly
NLA	Solenoid Kit
NLA	Contact Screw

NLA	Intake Air Bleed Valve Assembly—A.I.R.
-----	--

**1966 ROCHESTER CARBURETOR MODEL 2GC
FOR 330 CUBIC INCH ENGINE**



PARTS SHOWN ARE FOR IDENTIFICATION ONLY. CONSULT PARTS LIST FOR CORRECT PART NAME AND NUMBER

W/O A.I.R. STANDARD	W/O A.I.R. AIR COND.	A.I.R. STANDARD	A.I.R. AIR COND.	APPLICATION
7026058	7026059	7036058	7036159	CARBURETOR No.
7016647	7016647	7041837	7041837	REPLACEMENT PACKAGE No.
7031420	7031420	7031420	7031420	OVERHAUL KIT
7039135	7039135	7039135	7039135	MINOR REPAIR KIT
7016552	7016552	7016552	7016552	GASKET SET

Illus. No.	AIR HORN PARTS				
1	7026942	7026942	7026942	7026942	Gasket—Air Horn
2	7010432	7010432	7010432	7010432	Screw—Air Horn—Long
3	7006119	7006119	7006119	7006119	Screw—Air Horn—Short
4	726254	726254	726254	726254	Lockwasher—Air Horn Screws
5	7032377	7032377	7032377	7032377	Lever—Pump—Inside
6	7036764	7036764	7036764	7036764	Pump Shaft and Lever Assembly
7	7011270	7011270	7011270	7011270	Screw—Pump Lever
8	7038413	7038413	7038413	7038413	Pump Assembly
8	7038413	7038413	7038413	7038413	HD Pump Assembly
9	7005032	7005032	7005032	7005032	Clip—Pump Plunger
10	7040954	7040954	7040954	7040954	Filter Nut—Fuel Inlet
11	7032508	7032508	7032508	7032508	Gasket—Filter Nut
12	7013404	7013404	7013404	7013404	Filter—Fuel Inlet
12A	7013584	7013584	7013584	7013584	Gasket—Filter
12B	7032732	7032732	7032732	7032732	Spring—Fuel Filter
13	NLA	NLA	NLA	NLA	Air Horn Assembly
14	7009718	7009718	7009718	7009718	Power Piston Assembly
15	7021891	7021891	7021891	7021891	Float Assembly
16	7010037	7010037	7010037	7010037	Pin—Float Hinge
17	7023813	7023813	7023813	7023813	Needle and Seat Assembly
18	7019535	7019535	7019535	7019535	Gasket—Needle Seat
—	7006474	7006474	7006474	7006474	Pull Clip—Float Needle
19	7012835	7012835	7012835	7012835	Shield—Idle Vent
20	7012252	7012252	7012252	7012252	Idle Vent Valve Kit
21	7012548	7012548	7012548	7012548	Screw—Idle Vent
22	7029993	7029993	7029993	7029993	Valve—Idle Vent

A.I.R. — AIR INJECTION REACTOR



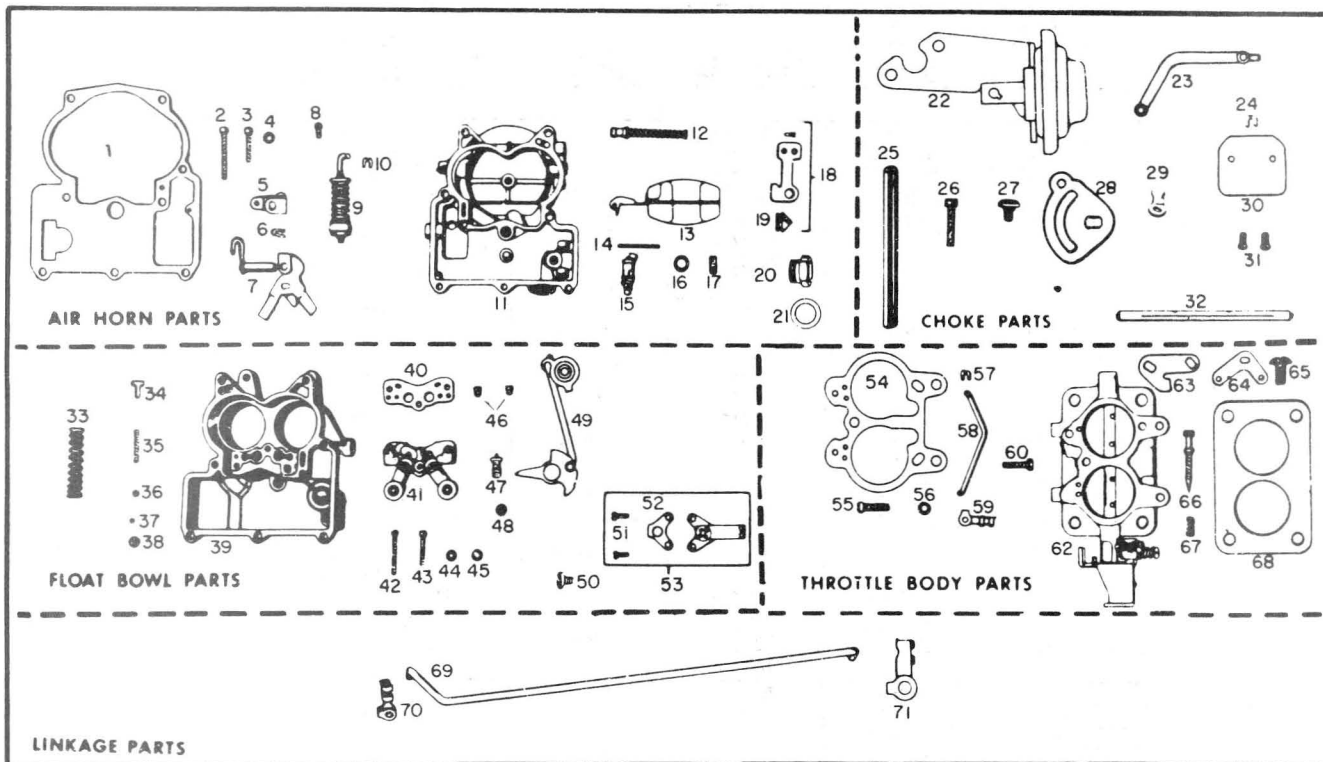
1966 ROCHESTER CARBURETOR MODEL 2GC — CONT'D
FOR 330 CUBIC INCH ENGINE

	W/O A.I.R. STANDARD	W/O A.I.R. AIR COND.	A.I.R. STANDARD	A.I.R. AIR COND.	APPLICATION
	7026058	7026059	7036058	7036159	CARBURETOR No.
CHOKE PARTS					
Illus. No.					
23	7013995	7013995	7013995	7013995	Gasket—Choke Housing
24	7034288	7034288	7034288	7034288	Choke Housing Assembly
25	7013704	7013704	7013704	7013704	Screw—Choke Housing
26	7035711	7035711	7035711	7035711	Baffle Plate
27	7002760	7002760	7002760	7002760	Gasket—Stat Cover
28	7029727	7029727	7029727	7029727	Stat Cover, Coil and Gasket Assembly
29	7000614	7000614	7000614	7000614	Retainer—Stat Cover
30	7011270	7011270	7011270	7011270	Screw—Stat Cover
31	7016682	7016682	7016682	7016682	Rod—Choke
32	836159	836159	836159	836159	Clip—Choke Rod
33	7002287	7002287	7002287	7002287	Washer—Choke Rod
34	7017988	7017988	7017988	7017988	Intermediate Choke Shaft Assembly
35	7016683	7016683	7016683	7016683	Intermediate Choke Rod
36	836159	836159	836159	836159	Clip—Intermediate Choke Rod
37	7026683	7026683	7026683	7026683	Choke Lever and Link Assembly
38	7019709	7019709	7019709	7019709	Screw—Piston Lever Attaching
39	7029699	7029699	7029699	7029699	Choke Piston
40	7004748	7004748	7004748	7004748	Pin—Choke Piston
41	7020667	7020667	7020667	7020667	Choke Shaft Assembly
42	7033443	7033443	7033443	7033443	Choke Valve
43	7007627	7007627	7007627	7007627	Screw—Choke Valve
44	7020669	7020669	7020669	7020669	Choke Lever and Collar Assembly
45	7003135	7003135	7003135	7003135	Plug—Expansion—Large
46	7006475	7006475	7006475	7006475	Plug—Expansion—Small
FLOAT BOWL PARTS					
47	7043600	7043600	7043600	7043600	Spring—Pump Return
48	7000286	7000286	7000286	7000286	Guide—Pump Discharge
49	7002118	7002118	7002118	7002118	Spring—Pump Discharge
50	7002117	7002117	7002117	7002117	Ball—Pump Discharge
51	7002120	7002120	7002120	7002120	Ball—Pump Inlet Check
52	7004557	7004557	7004557	7004557	Screen—Pump Inlet
53	7029728	NLA	NLA	NLA	Float Bowl Assembly
54	7019533	7019533	7031507	7031507	Gasket—Venturi Cluster
55	7029679	NLA	NLA	NLA	Venturi Cluster Assembly
56	7008502	7008502	7008502	7008502	Screw—Venturi Cluster—Outer
57	7009077	7009077	7009077	7009077	Screw—Venturi Cluster—Center
58	7008892	7008892	7008892	7008892	Gasket—Center Screw
59	726254	726254	726254	726254	Lockwasher—Outer Screws
60	7008663	7008663	7008663	7008663	Jet—Standard
61	7011989	7011989	7011989	7011989	Power Valve Assembly
62	7011990	7011990	7011990	7011990	Gasket—Power Valve
63	7029533	7029533	7029533	7029533	Cam—Fast Idle
64	7003561	7003561	7003561	7003561	Screw—Cam Attaching
65	7020684	7020684	7020684	7020684	Rod—Choke Unloader
66	1875293	1875293	1875293	1875293	Clip—Unloader Rod
67	—	7015127	—	7015127	Screw—Idle Compensator
68	—	7013341	—	7013341	Gasket—Idle Compensator
69	—	7028924	—	7028924	Idle Compensator Kit
THROTTLE BODY PARTS					
70	7038185	7038185	7038185	7038185	Gasket—Throttle Body
71	7015105	7015105	7015105	7015105	Screw—Throttle Body
72	121744	121744	121744	121744	Lockwasher—Throttle Body Screw
73	1875293	1875293	1875293	1875293	Clip—Pump Rod
74	7029658	7029658	7029658	7029658	Pump Rod
75	7013347	7013347	7013347	7013347	Fast Idle Screw
76	7001690	7001690	7001690	7001690	Spring—Fast Idle Screw
77	7035727	7035727	7035727	7035727	Fast Idle Lever Assembly
78	7010435	7010435	7010435	7010435	Screw—Fast Idle Lever
79	7002121	7002121	7002121	7002121	Idle Stop Screw
79A	7009728	7009728	7009728	7009728	Spring—Idle Stop Screw
80	7034559	7034559	NLA	NLA	Throttle Body Assembly
81	7042433	7042433	7042433	7042433	Idle Needle
82	7011479	7011479	7011479	7011479	Spring—Idle Needles
83	578912	578912	578912	578912	Gasket—Flange

7026094 Intake Air Bleed Valve Assembly —A.I.R.



1966 ROCHESTER TRIPLE TWO-BARREL CARBURETOR MODEL 2GC
FOR 400 CUBIC INCH ENGINE



PARTS SHOWN ARE FOR IDENTIFICATION ONLY. CONSULT PARTS LIST FOR CORRECT PART NAME AND NUMBER

FRONT SYNCHRO.	CENTER SYNCHRO.	REAR SYNCHRO.	APPLICATION
7026055	7026056	7026057	CARBURETOR No.
NLA	7026056	7026057	REPLACEMENT PKG. No.
7031480	7016635	7031480	OVERHAUL KIT
7039052	7039052	7039052	MINOR REPAIR KIT
7041838	7041838	7041838	GASKET SET

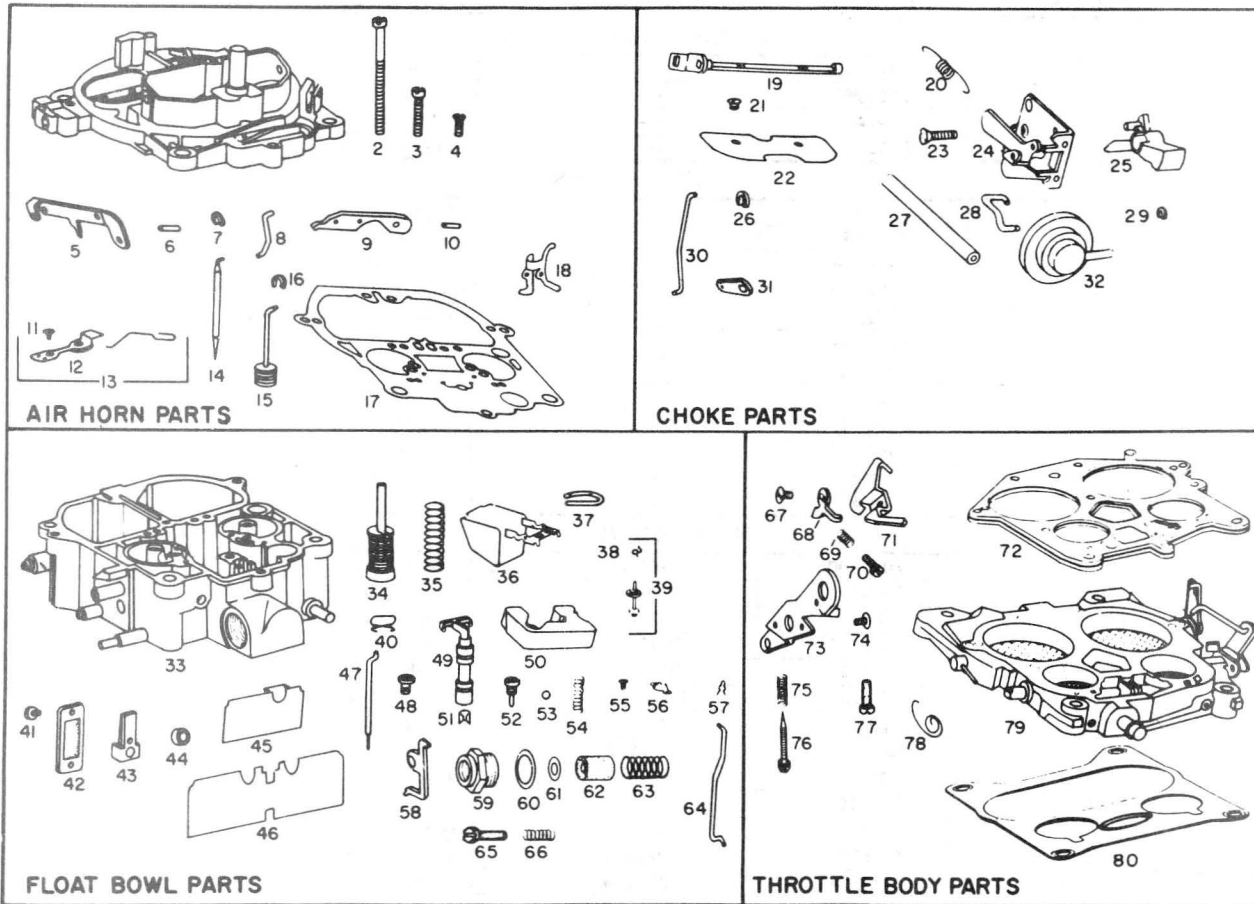
Illus. No.	AIR HORN PARTS			
1	7021007	7021007	7021007	Gasket—Air Horn
2	NLA	NLA	NLA	Screw—Air Horn—Long
3	7006119	7006119	7006119	Screw—Air Horn—Short
4	726254	726254	726254	Lockwasher—Air Horn Screws
5	NLA	7032377	NLA	Lever—Pump Inside
6	149505	—	149505	Retainer—Pump Lever
7	NLA	7036764	NLA	Pump Shaft and Lever Assembly
8	—	7011270	—	Screw—Pump Lever
9	7037562	7037562	7037562	Pump Assembly
10	7005032	7005032	7005032	Clip—Pump Plunger
11	NLA	NLA	NLA	Air Horn Assembly
12	—	7035603	—	Power Piston Assembly
13	7012028	7012028	7012028	Float Assembly
14	7010037	7010037	7010037	Pin—Float Hinge
15	7023803	7023813	7023803	Needle and Seat Assembly
16	7019535	7019535	7019535	Gasket—Needle Seat
17	NLA	7006079	NLA	Strainer—Needle Seat



1966 ROCHESTER TRIPLE TWO-BARREL CARBURETOR MODEL 2GC — CONT'D
FOR 400 CUBIC INCH ENGINE

	7026055	7026056	7026057	CARBURETOR No.
Illus. No.	AIR HORN PARTS (Cont'd)			
18	—	7012252	—	Idle Vent Valve Kit
19	—	7029993	—	Idle Vent Valve
20	—	NLA	—	Fuel Inlet Nut
21	—	7032508	—	Gasket—Inlet Nut
	CHOKE PARTS			
22	—	NLA	—	Vacuum Break Control Assembly
23	—	7026685	—	Rod—Vacuum Control
24	—	836159	—	Clip—Control Rod
25	—	7026339	—	Hose—Vacuum
26	—	NLA	—	Screw—Control Attaching
27	—	7019709	—	Stat Rod and Trip Levers
28	—	7038612	—	Lever—Stat Rod
29	—	7006596	—	Trip Lever
30	—	7033443	—	Choke Valve
31	—	7007627	—	Screw—Choke Valve
32	—	NLA	—	Choke Shaft
—	—	NLA	—	Manifold Stat Coil Assembly
	FLOAT BOWL PARTS			
33	7043600	7043600	7043600	Spring—Pump Return
34	7000286	7000286	7000286	Guide—Pump Discharge
35	7002118	7002118	7002118	Spring—Pump Discharge
36	7002117	7002117	7002117	Ball—Pump Discharge
37	7002120	7002120	7002120	Ball—Pump Inlet Check
38	7004557	7004557	7004557	Screen—Pump Inlet
39	NLA	NLA	NLA	Float Bowl Assembly
40	7019533	7019533	7019533	Gasket—Venturi Cluster
41	NLA	NLA	NLA	Venturi Cluster Assembly
42	7008502	7008502	7008502	Screw—Venturi Cluster—Outer
43	7009077	7009077	7009077	Screw—Venturi Cluster—Center
44	7008892	7008892	7008892	Gasket—Cluster Center Screw
45	726254	726254	726254	Lockwasher—Cluster Outer Screws
46	7008668	7008668	7008668	Jet—Standard
47	—	—	—	Power Valve Assembly
48	—	7011990	—	Gasket—Power Valve
49	—	NLA	—	Choke Lever Link and Cam Assembly
50	—	7003561	—	Screw—Cam Attaching
51	—	7015127	—	Screw—Idle Compensator and Cover
52	—	7013341	—	Gasket—Idle Compensator
53	—	7013527	—	Idle Compensator Kit
	THROTTLE BODY PARTS			
54	7015106	7015106	7015106	Gasket—Throttle Body
55	7015105	7015105	7015105	Screw—Throttle Body
56	121744	121744	121744	Lockwasher—Throttle Body Screws
57	7005032	7005032	7005032	Clip—Pump Rod
58	NLA	7041345	NLA	Pump Rod
59	—	7003242	—	Clip—Pump Rod
60	—	7006213	—	Idle Stop Screw
62	NLA	NLA	7029685	Throttle Body Assembly
63	—	—	7027767	Lever—Rear Carburetor Actuating
64	NLA	—	—	Lever—Front Carburetor Actuating
65	7010435	—	7010435	Scew—Actuating Levers
66	—	7041612	—	Idle Needle
67	—	7011479	—	Spring—Idle Needle
68	536477	536477	536477	Gasket—Flange
	Illus. No.	LINKAGE PARTS		
	69	NLA	Link—Front to Rear Carburetors	
	70	7011249	Clip—Throttle Link—Rear	
	71	330668	Clip—Throttle Link—Front	

1966 ROCHESTER CARBURETOR MODEL 4MV
FOR 330 AND 400 CUBIC INCH ENGINE



PARTS SHOWN ARE FOR IDENTIFICATION ONLY. CONSULT PARTS LIST FOR CORRECT PART NAME AND NUMBER

400 CU. IN. ENGINE	330 CU. IN. ENGINE	APPLICATION
7026250	7026254	CARBURETOR No. (W/O A.I.R.)
7036250	7036254	CARBURETOR No. (A.I.R.)
7036689	7036689	REPLACEMENT PACKAGE No. (W/O A.I.R.)
7036250	7036254	REPLACEMENT PACKAGE No. (A.I.R.)
7016652	7016652	OVERHAUL KIT
7039084	7039084	MINOR REPAIR KIT
7016653	7016653	GASKET SET

Illus. No.	AIR HORN PARTS		
1	7042690	NLA	Air Horn Assembly (W/O A.I.R.)
1	NLA	NLA	Air Horn Assembly (A.I.R.)
2	7029912	7029912	Screw—Air Horn
3	7014699	7014699	Screw—Air Horn
4	7031105	7031105	Screw—Air Horn
5	NLA	NLA	Lever—Dash Pot Actuating
6	9428787	9428787	Roll Pin—Dash Pot Lever
7	836159	836159	Clip—Air Valve Rod
8	7031225	7031225	Rod—Air Valve
9	NLA	NLA	Lever—Pump Actuating
10	9428787	9428787	Roll Pin—Pump and Lockout Levers
11	7012548	7012548	Screw—Idle Vent Valve
12	7029993	7029993	Valve—Idle Vent
13	7031423	7031423	Idle Vent Valve Kit
14	7033655	7033655	Metering Rod—Secondary
15	7032503	7032503	Dash Pot Assembly
16	836159	836159	Clip—Dash Pot Rod
17	7029087	7029087	Gasket—Air Horn
18	7031393	7031393	Lockout Lever—Air Valve

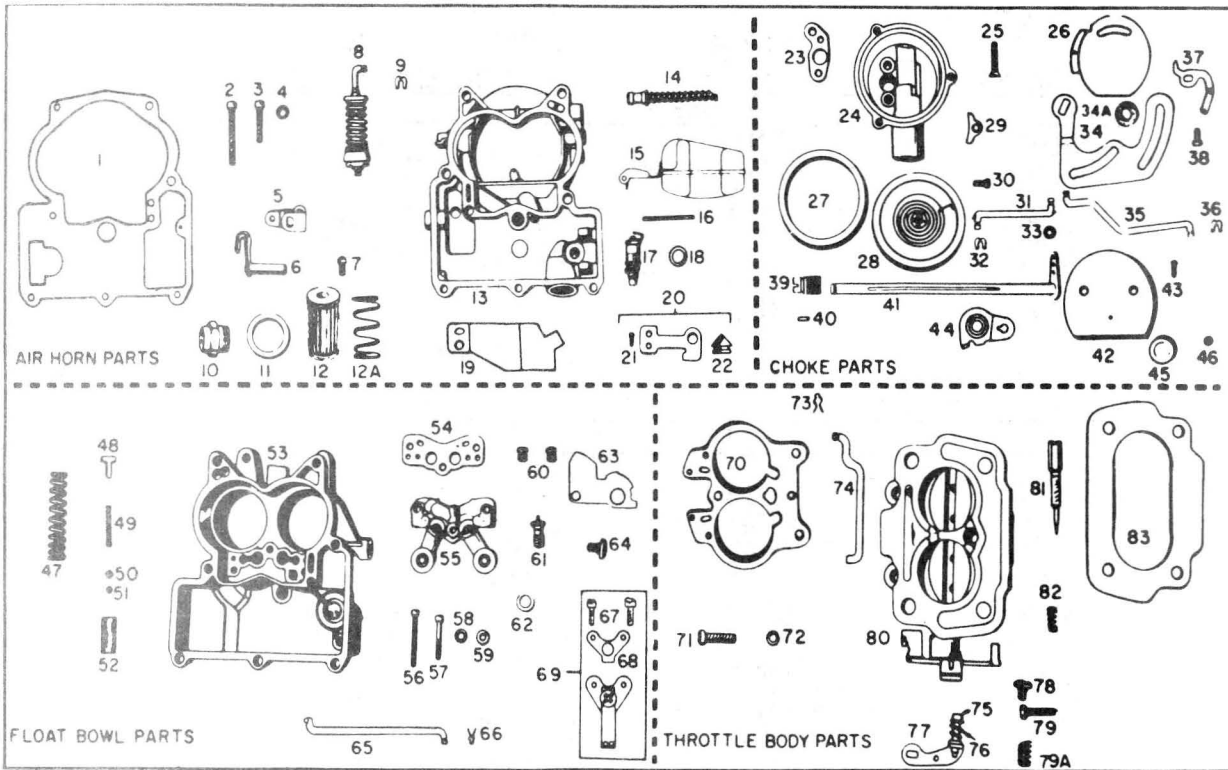
A.I.R. — AIR INJECTION REACTOR



1966 ROCHESTER CARBURETOR MODEL 4MV — CONT'D
FOR 330 AND 400 CUBIC INCH ENGINE

Illus. No.	400	330	APPLICATION
	CU. IN. ENGINE	CU. IN. ENGINE	
	7026250	7026254	
	7036250	7036254	CARBURETOR No. (A.I.R.)
CHOKE PARTS			
19	7036430	7036430	Choke Shaft and Lever Assembly
20	7032797	7032797	Spring—Vacuum Break Modulating
21	7029866	7029866	Screw—Choke Valve
22	7036430	7036430	Choke Valve
23	7031925	7031925	Screw—Vacuum Break Control
24	7032943	7032943	Vacuum Break Control Bracket Assembly
25	7031108	7031108	Cam—Fast Idle
26	7032726	7032726	Clip—Choke Rod
27	7026339	7026339	Hose—Vacuum
28	7031392	7031392	Rod—Vacuum Break
29	836159	836159	Clip—Vacuum Break Rod
30	7032727	7032727	Rod—Choke
31	7031231	7031231	Lever—Intermediate Choke
32	7031101	7031101	Vacuum Break Control Assembly
FLOAT BOWL PARTS			
33	NLA	7033010	Float Bowl Assembly (W/O A.I.R.)
33	7033009	7033010	Float Bowl Assembly (A.I.R.)
34	7034111	7034111	Pump Assembly
35	7043600	7043600	Spring—Pump Return
36	7029854	7029854	Float Assembly
37	7029856	7029856	Hinge Pin—Float
38	7029885	7029885	Pull Clip—Float Needle
39	7023893	7023893	Float Needle and Diaphragm Assembly
40	7029862	7029862	Spring—Metering Rod—Primary
41	7020926	7020926	Screw—Cover Attaching
42	7029865	7029865	Cover—Idle Compensator
43	7032725	7032725	Idle Compensator Assembly
44	7027970	7027970	Gasket—Idle Compensator
45			Baffle—Float Bowl
46	7031365	7031365	Baffle Plate—Float Bowl
47	7031844	7031844	Metering Rod—Primary
48	7031971	7031971	Metering Jet—Primary
49	7032979	7032979	Power Piston Assembly
50	7034666	7034666	Insert—Float Bowl
51	7034339	7034339	Retainer—Power Piston
52	7029849	7029849	Retainer—Pump Discharge Ball
53	7002117	7002117	Ball—Pump Discharge
54	7029922	7029922	Spring—Power Piston
55	7007090	7007090	Screw—Diaphragm Retainer
56	7031377	7031377	Retainer—Float Needle Diaphragm
57	836159	836159	Clip—Pump Rod
58			Lockout Lever—Secondary
59	7040954	7040954	Filter Nut—Fuel Inlet
60	7032508	7032508	Gasket—Inlet Nut
61	7013584	7013584	Gasket—Filter
62	7013404	7013404	Filter—Fuel Inlet
63	7032732	7032732	Spring—Inlet Filter
64	7026138	7026138	Rod—Pump
65	7002121	7002121	Screw—Idle Stop
66	7003176	7003176	Spring—Idle Stop Screw
THROTTLE BODY PARTS			
67	7010435	7010435	Screw—Cam and Fast Idle Levers
68	7043671	7043671	Lever—Fast Idle
69	7029900	7029900	Spring—Fast Idle Screw
70	7029899	7029899	Screw—Fast Idle
71	7033907	7033907	Lever—Cam Follower
72	7031102	7031102	Gasket—Throttle Body
73			Throttle Lever—Primary
74			Screw—Throttle Lever
75	7011479	7011479	Spring—Idle Needle
76	7042433	7042433	Needle—Idle Adjusting
77	7029891	7029891	Screw—Throttle Body
78	7031901	7031901	Spring—Cam Follower Lever
79	7029980	7029980	Throttle Body Assembly (W/O A.I.R.)
79	NLA	NLA	Throttle Body Assembly (A.I.R.)
80	412501	412501	Gasket—Flange
ACCESSORIES			
7036094		Manifold Stat Coil Assembly—425 Cu. In.—Low Manifold	
7036095		Manifold Stat Coil Assembly—All Other	
7026094		Intake Air Bleed Valve Assembly—A.I.R.	

1967 ROCHESTER CARBURETOR MODEL 2GC
FOR 330 (2BC) CUBIC INCH ENGINE



PARTS SHOWN ARE FOR IDENTIFICATION ONLY. CONSULT PARTS LIST FOR CORRECT PART NAME AND NUMBER

W/O A.I.R. STANDARD	W/O A.I.R. AIR COND.	A.I.R. STANDARD	A.I.R. AIR COND.	C.C.C. STANDARD	C.C.C. AIR COND.	APPLICATION
7037052	7037050	7037053	7037051	7027035	7027133	CARBURETOR No.
7041839	7041839	7041839	7041839	7041839	7041839	REPLACEMENT PKG. No.
7016758	7016758	7016758	7016758	7016758	7016758	OVERHAUL KIT
7039136	7039136	7039136	7039136	7039136	7039136	MINOR REPAIR KIT (STEEL)
7016757	7016757	7016757	7016757	7016757	7016757	GASKET SET
NLA	NLA	NLA	NLA	NLA	NLA	ALTITUDE KIT

Illus. No.	AIR HORN PARTS						
1	7035815	7035815	7035815	7035815	7035815	7035815	Gasket—Air Horn
2	7010432	7010432	7010432	7010432	7010432	7010432	Screw—Air Horn—Long
3	7006119	7006119	7006119	7006119	7006119	7006119	Screw—Air Horn—Short
4	726254	726254	726254	726254	726254	726254	Lockwasher—Air Horn Screws
5	7032377	7032377	7032377	7032377	7032377	7032377	Lever—Pump—Inside
6	7036764	7036764	7036764	7036764	7036764	7036764	Pump Shaft and Lever Assembly
7	7011270	7011270	7011270	7011270	7011270	7011270	Screw—Pump Lever
8	7038413	7038413	7038413	7038413	7038413	7038413	Pump Assembly
8	7038413	7038413	7038413	7038413	7038413	7038413	HD Pump Assembly
9	7005032	7005032	7005032	7005032	7005032	7005032	Clip—Pump Plunger
10	7040955	7040955	7040955	7040955	7040955	7040955	Filter Nut—Fuel Inlet
11	7032508	7032508	7032508	7032508	7032508	7032508	Gasket—Filter Nut
12	5651393	5651393	5651393	5651393	5651393	5651393	Filter—Fuel Inlet
12A	7032732	7032732	7032732	7032732	7032732	7032732	Spring—Fuel Filter
13	NLA	NLA	NLA	NLA	NLA	NLA	Air Horn Assembly
14	7009718	7009718	7009718	7009718	7009718	7009718	Power Piston Assembly
15	7035592	7035592	7035592	7035592	7035592	7035592	Float Assembly
16	7010037	7010037	7010037	7010037	7010037	7010037	Pin—Float Hinge
17	7023813	7023813	7023813	7023813	7023813	7023813	Needle and Seat Assembly (Neo-tip)
17	7019932	7019932	7019932	7019932	7019932	7019932	Needle and Seat Assembly (Steel)
18	7019535	7019535	7019535	7019535	7019535	7019535	Gasket—Needle Seat
—	7006474	7006474	7006474	7006474	7006474	7006474	Pull Clip—Float Needle
19	7012835	7012835	7012835	7012835	7012835	7012835	Shield—Idle Vent
20	7012252	7012252	7012252	7012252	7012252	7012252	Idle Vent Valve Kit
21	7012548	7012548	7012548	7012548	7012548	7012548	Screw—Idle Vent
22	7029993	7029993	7029993	7029993	7029993	7029993	Valve—Idle Vent

A.I.R. — AIR INJECTION REACTOR C.C.C. — CLIMATIC COMBUSTION CONTROL

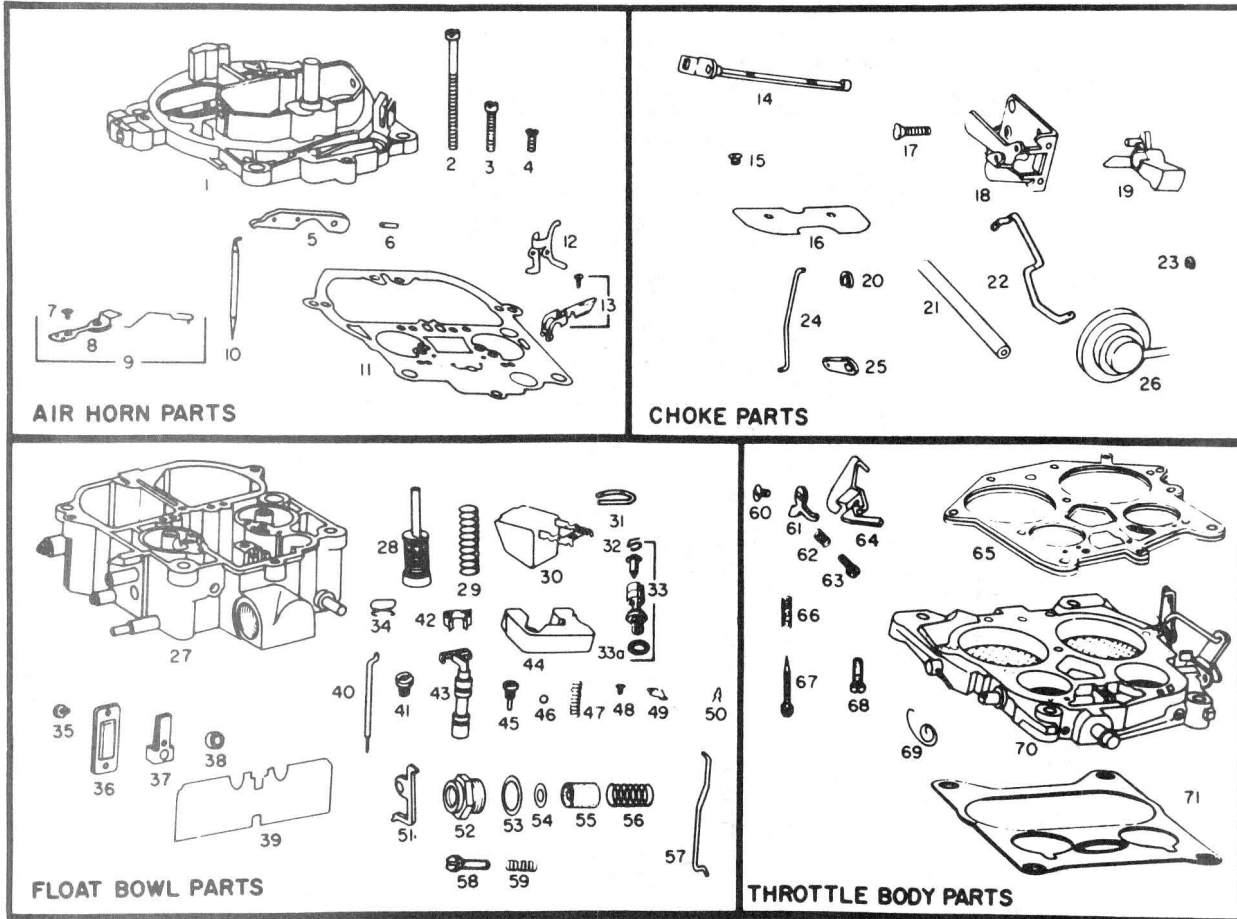
1967 ROCHESTER CARBURETOR MODEL 2GC — CONT'D
FOR 330 (2BC) CUBIC INCH ENGINE

Illus. No.	W/O A.I.R. STANDARD	W/O A.I.R. AIR COND.	A.I.R. STANDARD	A.I.R. AIR COND.	C.C.C. STANDARD	C.C.C. AIR COND.	APPLICATION
	7037052	7037050	7037053	7037051	7027035	7027133	CARBURETOR No.
CHOKE PARTS							
23	7013995	7013995	7013995	7013995	7013995	7013995	Gasket—Choke Housing
24	7034288	7034288	7034288	7034288	7034288	7034288	Choke Housing Assembly
25	7013704	7013704	7013704	7013704	7013704	7013704	Screw—Choke Housing
26	7035711	7035711	7035711	7035711	7035711	7035711	Baffle Plate
27	7002760	7002760	7002760	7002760	7002760	7002760	Gasket—Stat Cover
28	7029727	7029727	7029727	7029727	7029727	7029727	Stat Cover, Coil and Gasket Assembly
29	7000614	7000614	7000614	7000614	7000614	7000614	Retainer—Stat Cover
30	7011270	7011270	7011270	7011270	7011270	7011270	Screw—Stat Cover
31	7016682	7016682	7016682	7016682	7016682	7016682	Rod—Choke
32	836159	836159	836159	836159	836159	836159	Clip—Choke Rod
33	7002287	7002287	7002287	7002287	7002287	7002287	Washer—Choke Rod
34	7017988	7017988	7017988	7017988	7017988	7017988	Intermediate Choke Shaft Assembly
34A	7019751	7019751	7019751	7019751	7019751	7019751	Dust Seal—Inter Choke Shaft
35	7016583	7016583	7016583	7016583	7016583	7016583	Intermediate Choke Rod
36	836159	836159	836159	836159	836159	836159	Clip—Intermediate Choke Rod
37	7026683	7026683	7026683	7026683	7026683	7026683	Choke Lever and Link Assembly
38	7019709	7019709	7019709	7019709	7019709	7019709	Screw—Piston Lever Attaching
39	7029699	7029699	7029699	7029699	7029699	7029699	Choke Piston
40	7004748	7004748	7004748	7004748	7004748	7004748	Pin—Choke Piston
41	7020667	7020667	7020667	7020667	7020667	7020667	Choke Shaft Assembly
42	7033443	7033443	7033443	7033443	7033443	7033443	Choke Valve
43	7007627	7007627	7007627	7007627	7007627	7007627	Screw—Choke Valve
44	7020669	7020669	7020669	7020669	7020669	7020669	Choke Lever and Collar Assembly
45	7003135	7003135	7003135	7003135	7003135	7003135	Plug—Expansion—Large
46	7006475	7006475	7006475	7006475	7006475	7006475	Plug—Lead Ball
FLOAT BOWL PARTS							
47	7043600	7043600	7043600	7043600	7043600	7043600	Spring—Pump Return
48	7000286	7000286	7000286	7000286	7000286	7000286	Guide—Pump Discharge
49	7002118	7002118	7002118	7002118	7002118	7002118	Spring—Pump Discharge
50	7002117	7002117	7002117	7002117	7002117	7002117	Ball—Pump Discharge
51	7002120	7002120	7002120	7002120	7002120	7002120	Ball—Pump Inlet Check
52	7004557	7004557	7004557	7004557	7004557	7004557	Screen—Pump Inlet
53	7029728	NLA	NLA	NLA	7029728	NLA	Float Bowl Assembly
54	7019533	7019533	7031507	7031507	7019533	7019533	Gasket—Venturi Cluster
55	7029679	NLA	NLA	NLA	NLA	NLA	Venturi Cluster Assembly
56	7008502	7008502	7008502	7008502	7008502	7008502	Screw—Venturi Cluster—Outer
57	7009077	7009077	7009077	7009077	7009077	7009077	Screw—Venturi Cluster—Center
58	7008892	7008892	7008892	7008892	7008892	7008892	Gasket—Center Screw
59	726254	726254	726254	726254	726254	726254	Lockwasher—Outer Screws
60	7008663	7008663	7008663	7008663	7008663	7008663	Jet—Standard
61	7011989	7011989	7011989	7011989	7011989	7011989	Power Valve Assembly
62	7011990	7011990	7011990	7011990	7011990	7011990	Gasket—Power Valve
63	NLA	NLA	NLA	NLA	NLA	NLA	Cam—Fast Idle
64	7003561	7003561	7003561	7003561	7003561	7003561	Screw—Cam Attaching
65	7020684	7020684	7020684	7020684	7020684	7020684	Rod—Choke Unloader
66	1875293	1875293	1875293	1875293	1875293	1875293	Clip—Unloader Rod
67	—	7015127	—	7015127	—	7015127	Screw—Idle Compensator
68	—	7013341	—	7013341	—	7013341	Gasket—Idle Compensator
69	—	7028924	—	7028924	—	7028924	Idle Compensator Kit
THROTTLE BODY PARTS							
70	7038185	7038185	7038185	7038185	7038185	7038185	Gasket—Throttle Body
71	7015105	7015105	7015105	7015105	7015105	7015105	Screw—Throttle Body
72	121744	121744	121744	121744	121744	121744	Lockwasher—Throttle Body Screw
73	1875293	1875293	1875293	1875293	1875293	1875293	Clip—Pump Rod
74	7029658	7029658	7029658	7029658	7029658	7029658	Pump Rod
75	7013347	7013347	7013347	7013347	7013347	7013347	Fast Idle Screw
76	7001690	7001690	7001690	7001690	7001690	7001690	Spring—Fast Idle Screw
77	7035727	7035727	7035727	7035727	7035727	7035727	Fast Idle Lever Assembly
78	7010435	7010435	7010435	7010435	7010435	7010435	Screw—Fast Idle Lever
79	7002121	7002121	7002121	7002121	7002121	7002121	Idle Stop Screw
79A	7009728	7009728	7009728	7009728	7009728	7009728	Spring—Idle Stop Screw
80	7034559	7034559	NLA	NLA	7034559	7034559	Throttle Body Assembly
81	7042433	7042433	7042433	7042433	7042433	7042433	Idle Needle
82	7011479	7011479	7011479	7011479	7011479	7011479	Spring—Idle Needles
83	578912	578912	578912	578912	578912	578912	Gasket—Flange

NLA Intake Air Bleed Valve Assembly (A.I.R.)



**1967 ROCHESTER CARBURETOR MODEL 4MV
FOR 330 (4BC) CUBIC INCH ENGINE**



PARTS SHOWN ARE FOR IDENTIFICATION ONLY. CONSULT PARTS LIST FOR CORRECT PART NAME AND NUMBER

330" CU. IN. STANDARD	330" CU. IN. C. C. C.	330" CU. IN. A. I. R.	APPLICATION
7027036	7027135	7027153	CARBURETOR No.
7036689	7036689	7027153	REPLACEMENT PACKAGE No.
7034542	7034543	7034543	OVERHAUL KIT
7039112	7039112	7039112	OK KIT
7036699	7036699	7036699	GASKET SET
NLA	NLA	NLA	ALTITUDE KIT

Illus. No.	AIR HORN PARTS			
1	7035332	7035332	7035332	Air Horn Assembly
2	7029912	7029912	7029912	Screw—Air Horn
3	7014699	7014699	7014699	Screw—Air Horn
4	7031105	7031105	7031105	Screw—Air Horn
5	7048028	7048028	7048028	Lever—Pump Actuating
6	9428787	9428787	9428787	Roll Pin—Pump and Lockout Levers
7	7012548	7012548	7012548	Screw—Idle Vent Valve
8	7029993	7029993	7029993	Valve—Idle Vent
9	7031423	7031423	7031423	Idle Vent Valve Kit
10	7033658	7033658	7033658	Metering Rod—Secondary
11	7029087	7029087	7029087	Gasket—Air Horn
12	7031393	7031393	7031393	Lockout Lever—Air Valve
13	7034522	7034522	7034522	Secondary Metering Rod Holder Kit
	7035344	7035344	7035344	Air Valve Spring and Cam Kit

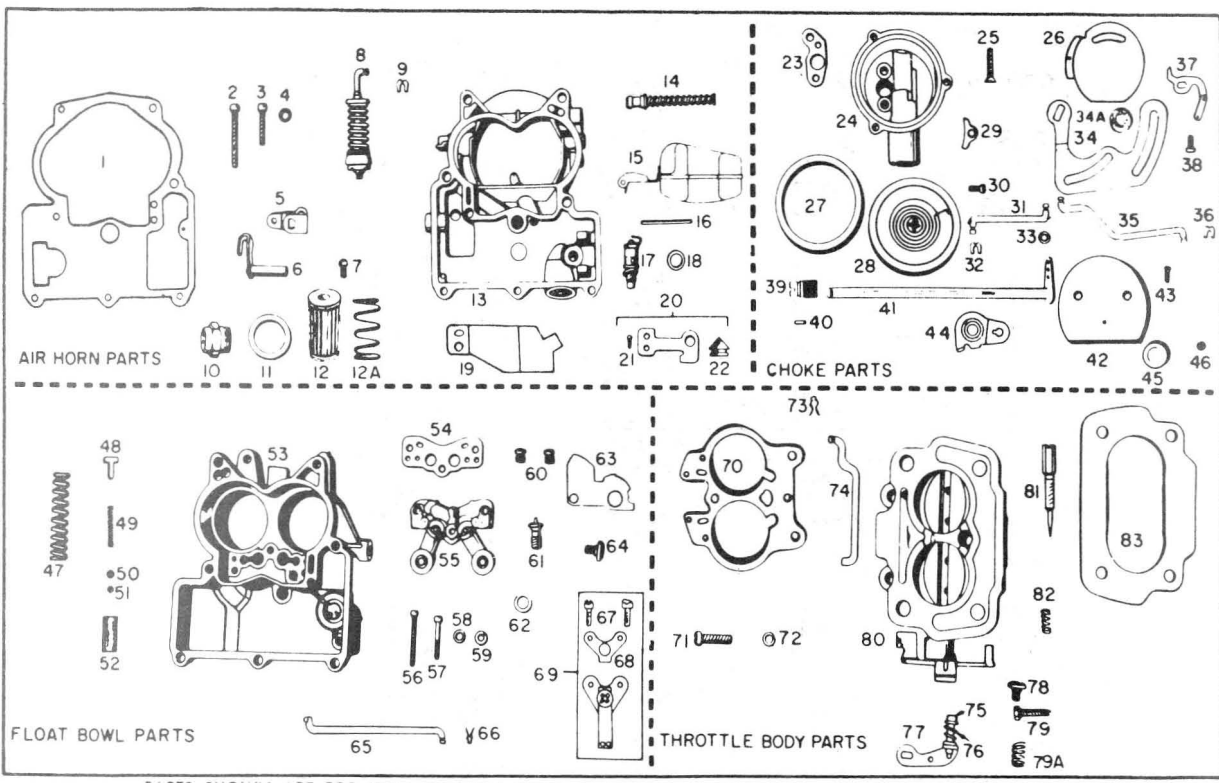
A. I. R. — AIR INJECTION REACTOR
C. C. C. — CLIMATIC COMBUSTION CONTROL



1967 ROCHESTER CARBURETOR MODEL 4MV — CONT'D
FOR 330 (4BC) CUBIC INCH ENGINE

	330" CU. IN. STANDARD	330" CU. IN. C. C. C.	330" CU. IN. A. I. R.	APPLICATION
	7027036	7027135	7027153	CARBURETOR No.
CHOKE PARTS				
Illus. No.				
14	7046900	7046900	7046900	Choke Shaft and Valve Kit
15	7029866	7029866	7029866	Screw—Choke Valve
16	7036432	7036432	7036432	Choke Valve
17	7031925	7031925	7031925	Screw—Vacuum Break Control
18	7034541	7034541	7034541	Vacuum Break Control Bracket Assembly
19	7033977	7033977	7033977	Cam—Fast Idle
20	7032726	7032726	7032726	Clip—Choke Rod
21	7026339	7026339	7026339	Hose—Vacuum
22	7038167	7038167	7038167	Rod—Vacuum Break
23	836159	836159	836159	Clip—Vacuum Break Rod
24	7033517	7033517	7033517	Rod—Choke
25	7031231	7031231	7031231	Lever—Intermediate Choke
26	7038238	7038238	7038238	Vacuum Break Control Assembly
FLOAT BOWL PARTS				
27	7034537	N.L.A.	7034537	Float Bowl Assembly
28	7034111	7034111	7034111	Pump Assembly
29	7043600	7043600	7043600	Spring—Pump Return
30	7034454	7034454	7034454	Float Assembly
31	7029856	7029856	7029856	Hinge Pin—Float
32	7033751	7033751	7033751	Pull Clip—Float Needle
33	7035142	7035142	7035142	Float Needle and Diaphragm Assembly
33A	7033747	7033747	7033747	Gasket—Needle Seat
34	7029862	7029862	7029862	Spring—Metering Rod—Primary
35	7020926	7020926	7020926	Screw—Cover Attaching
36	7029865	7029865	7029865	Cover—Idle Compensator
37	7033152	7033152	7033152	Idle Compensator Assembly
38	7027970	7027970	7027970	Gasket—Idle Compensator
39	7031365	7031365	7031365	Baffle Plate—Float Bowl
40	7031844	7031844	7031844	Metering Rod—Primary
41	7031971	7031971	7031971	Metering Jet—Primary
42	7034339	7034339	7034339	Retainer—Power Piston
43	7032979	7032979	7032979	Power Piston Assembly
44	7034361	7034361	7034361	Insert—Float Bowl
45	7029849	7029849	7029849	Retainer—Pump Discharge Ball
46	7002117	7002117	7002117	Ball—Pump Discharge
47	7029922	7029922	7029922	Spring—Power Piston
48	—	—	—	Screw—Diaphragm Retainer
49	—	—	—	Retainer—Float Needle Diaphragm
50	836159	836159	836159	Clip—Pump Rod
51	—	—	—	Lockout Lever—Secondary
52	7040955	7040955	7040955	Filter Nut—Fuel Inlet
53	7032508	7032508	7032508	Gasket—Inlet Nut
54	—	—	—	Gasket—Filter
55	5651393	5651393	5651393	Filter—Fuel Inlet
56	7032732	7032732	7032732	Spring—Inlet Filter
57	7026138	7026138	7026138	Rod—Pump
58	7002121	7002121	7002121	Screw—Idle Stop
59	7003176	7003176	7003176	Spring—Idle Stop Screw
THROTTLE BODY PARTS				
60	7010435	7010435	7010435	Screw—Cam and Fast Idle Levers
61	7043671	7043671	7043671	Lever—Fast Idle
62	7029900	7029900	7029900	Spring—Fast Idle Screw
63	7029899	7029899	7029899	Screw—Fast Idle
64	7033907	7033907	7033907	Lever—Cam Follower
65	7035560	7035560	7035560	Gasket—Throttle Body
66	7011479	7011479	7011479	Spring—Idle Needle
67	7042433	7042433	7042433	Needle—Idle Adjusting
68	7029891	7029891	7029891	Screw—Throttle Body
69	7031901	7031901	7031901	Spring—Cam Follower Lever
70	7033662	7033662	7033662	Throttle Body Assembly
71	412501	412501	412501	Gasket—Flange
ACCESSORIES				
	7027094	Manifold Stat Coil Assembly		
	N.L.A.	Intake Air Bleed Valve Assembly—A.I.R.		

1967 ROCHESTER CARBURETOR MODEL 2GC
FOR 400 (2BC) CUBIC INCH ENGINE
Exc. Climatic Combustion Control



PARTS SHOWN ARE FOR IDENTIFICATION ONLY. CONSULT PARTS LIST FOR CORRECT PART NAME AND NUMBER

AUTO TRANS. STANDARD	AUTO TRANS. AIR COND.	MAN. TRANS. STANDARD	MAN. TRANS. AIR COND.	APPLICATION
7037054	7037056	7037058	7037056	CARBURETOR No.
7041840	7041840	7041840	7041840	REPLACEMENT PACKAGE No.
7016755	7016755	7016755	7016755	OVERHAUL KIT
7039114	7039114	7039114	7039114	MINOR REPAIR KIT (NEO-TIP)
7039137	7039137	7039137	7039137	MINOR REPAIR KIT (STEEL)
7016757	7016757	7016757	7016757	GASKET SET
7028944	7028945	7028944	7028945	ALTITUDE KIT

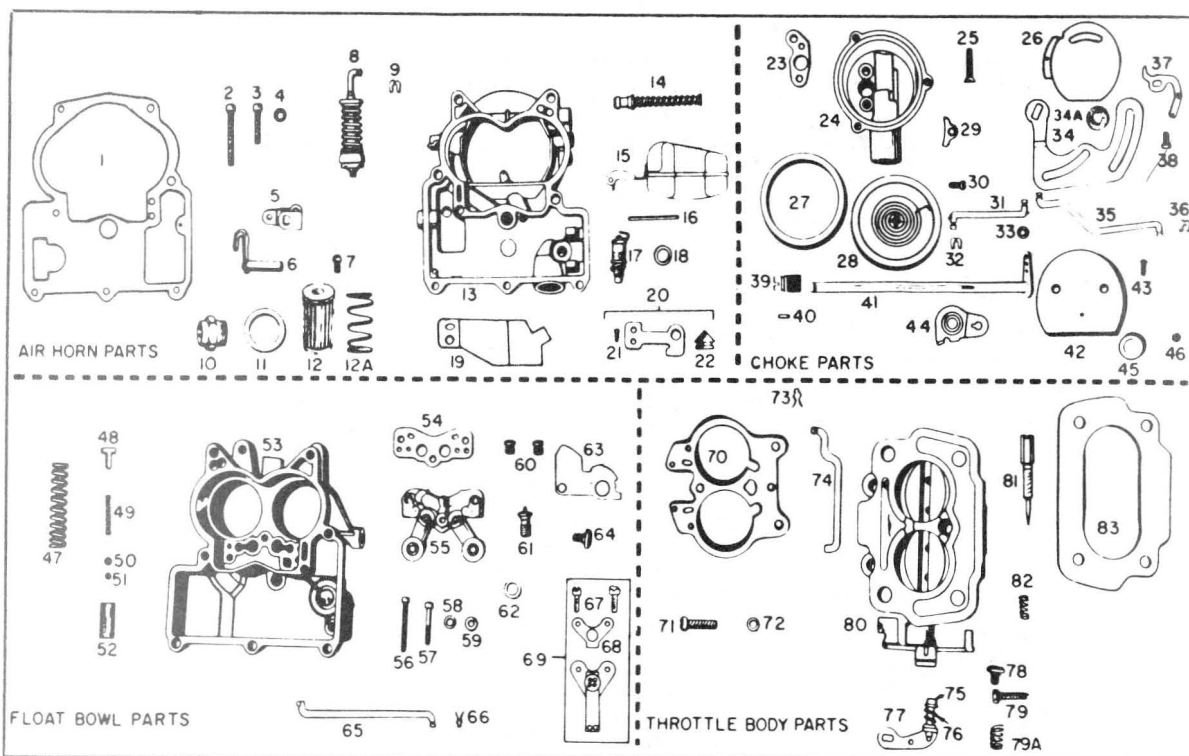
Illus. No.	AIR HORN PARTS				
1	7035815	7035815	7035815	7035815	Gasket—Air Horn
2	7010432	7010432	7010432	7010432	Screw—Air Horn—Long
3	7006119	7006119	7006119	7006119	Screw—Air Horn—Short
4	726254	726254	726254	726254	Lockwasher—Air Horn Screws
5	7032377	7032377	7032377	7032377	Lever—Pump—Inside
6	7036764	7036764	7036764	7036764	Pump Shaft and Lever Assembly
7	7011270	7011270	7011270	7011270	Screw—Pump Lever
8	7037562	7037562	7037562	7037562	Pump Assembly
9	7005032	7005032	7005032	7005032	Clip—Pump Plunger
10	7040955	7040955	7040955	7040955	Filter Nut
12	5651393	5651393	5651393	5651393	Filter—Fuel Inlet
12A	7032732	7032732	7032732	7032732	Spring—Filter
13	NLA	NLA	NLA	NLA	Air Horn Assembly
14	7009718	7009718	7009718	7009718	Power Piston Assembly
15	7035592	7035592	7035592	7035592	Float Assembly
16	7010037	7010037	7010037	7010037	Pin—Float Hinge
17	7023813	7023813	7023813	7023813	Needle and Seat Assembly (Neo-Tip)
17	7019932	7019932	7019932	7019932	Needle and Seat Assembly (Steel)
18	7019535	7019535	7019535	7019535	Gasket—Needle Seat
—	7006474	7006474	7006474	7006474	Pull Clip—Float Needle
19	7012835	7012835	7012835	7012835	Shield—Idle Vent
20	7012252	7012252	7012252	7012252	Idle Vent Valve Kit
21	7012548	7012548	7012548	7012548	Screw—Idle Vent
22	7029993	7029993	7029993	7029993	Valve—Idle Vent



1967 ROCHESTER CARBURETOR MODEL 2GC — CONT'D
FOR 400 (2BC) CUBIC INCH ENGINE
Exc. Climatic Combustion Control

	AUTO TRANS. STANDARD	AUTO TRANS. AIR COND.	MAN. TRANS. STANDARD	MAN. TRANS. AIR COND.	APPLICATION
	7037054	7037056	7037058	7037056	CARBURETOR No.
Illus. No.	CHOKE PARTS				
23	7013995	7013995	7013995	7013995	Gasket—Choke Housing
24	7034287	7034287	7034287	7034287	Choke Housing Assembly
25	7013704	7013704	7013704	7013704	Screw—Choke Housing
26	7035711	7035711	7035711	7035711	Baffle Plate
27	7002760	7002760	7002760	7002760	Gasket—Stat Cover
28	7031484	7031484	7031484	7031484	Stat Cover, Coil and Gasket Assembly
29	7000614	7000614	7000614	7000614	Retainer—Stat Cover
30	7011270	7011270	7011270	7011270	Screw—Stat Cover
31	7016682	7016682	7016682	7016682	Rod—Choke
32	836159	836159	836159	836159	Clip—Choke Rod
33	7002287	7002287	7002287	7002287	Washer—Choke Rod
34	7031759	7031759	7031759	7031759	Intermediate Choke Shaft Assembly
34A	7019751	7019751	7019751	7019751	Dust Seal—Intermediate Choke Shaft
35	7016683	7016683	7016683	7016683	Intermediate Choke Rod
36	836159	836159	836159	836159	Clip—Intermediate Choke Rod
37	7026664	7026664	7026664	7026664	Choke Lever and Link Assembly
38	7019709	7019709	7019709	7019709	Screw—Piston Lever Attaching
39	7031870	7031870	7031870	7031870	Choke Piston
40	7010746	7010746	7010746	7010746	Pin—Choke Piston
41	7020667	7020667	7020667	7020667	Choke Shaft Assembly
42	7033443	7033443	7033443	7033443	Choke Valve
43	7007627	7007627	7007627	7007627	Screw—Choke Valve
44	7020669	7020669	7020669	7020669	Choke Lever and Collar Assembly
45	7003135	7003135	7003135	7003135	Plug—Expansion—Large
46	7002814	7002814	7002814	7002814	Plug—Lead Ball
	FLOAT BOWL PARTS				
47	7043600	7043600	7043600	7043600	Spring—Pump Return
48	7000286	7000286	7000286	7000286	Guide—Pump Discharge
49	7002118	7002118	7002118	7002118	Spring—Pump Discharge
50	7002117	7002117	7002117	7002117	Ball—Pump Discharge
51	7002120	7002120	7002120	7002120	Ball—Pump Inlet Check
52	7004557	7004557	7004557	7004557	Screen—Pump Inlet
53	7029728	NLA	7029728	NLA	Float Bowl Assembly
54	7019533	7019533	7019533	7019533	Gasket—Venturi Cluster W/O A.I.R.
55	7029951	NLA	NLA	NLA	Venturi Cluster Assembly
56	7008502	7008502	7008502	7008502	Screw—Venturi Cluster—Outer
57	7009077	7009077	7009077	7009077	Screw—Venturi Cluster—Center
58	7008892	7008892	7008892	7008892	Gasket—Center Screw
59	726254	726254	726254	726254	Lockwasher—Outer Screws
60	7008664	7008664	7008664	7008664	Jet—Standard
61	7011989	7011989	7011989	7011989	Power Valve Assembly
62	7011990	7011990	7011990	7011990	Gasket—Power Valve
63	7029533	NLA	NLA	NLA	Cam—Fast Idle
64	7003561	7003561	7003561	7003561	Screw—Cam Attaching
65	7020684	7020684	7020684	7020684	Rod—Choke Unloader
66	1875293	1875293	1875293	1875293	Clip—Unloader Rod
67	—	7015127	—	7015127	Screw—Idle Compensator
68	—	7013341	—	7013341	Gasket—Idle Compensator
69	—	7028924	—	7028924	Idle Compensator Kit
	THROTTLE BODY PARTS				
70	7038185	7038185	7038185	7038185	Gasket—Throttle Body
71	7015105	7015105	7015105	7015105	Screw—Throttle Body
72	121744	121744	121744	121744	Lockwasher—Throttle Body Screw
73	1875293	1875293	1875293	1875293	Clip—Pump Rod
74	7029658	7029658	7029658	7029658	Pump Rod
75	7013347	7013347	7013347	7013347	Fast Idle Screw
76	7001690	7001690	7001690	7001690	Spring—Fast Idle Screw
77	7035727	7035727	7035727	7035727	Fast Idle Lever Assembly
78	7010435	7010435	7010435	7010435	Screw—Fast Idle Lever
79	7002121	7002121	7002121	7002121	Idle Stop Screw
79A	7009728	7009728	7009728	7009728	Spring—Idle Stop Screw
80	N.L.A.	N.L.A.	N.L.A.	N.L.A.	N.L.A.
81	7042433	7042433	7042433	7042433	Idle Needle
82	7011479	7011479	7011479	7011479	Spring—Idle Needles
83	578912	578912	578912	578912	Gasket—Flange

1967 ROCHESTER CARBURETOR MODEL 2GC



PARTS SHOWN ARE FOR IDENTIFICATION ONLY. CONSULT PARTS LIST FOR CORRECT PART NAME AND NUMBER

C. C. C. STANDARD	C. C. C. AIR COND.	A. I. R. STANDARD	A. I. R. AIR COND.	C.C.S. ALL	APPLICATION
7027033	7027136	7037055	7037057	7027139	CARBURETOR No.
7041840	7041840	7041839	7041839	7027139	REPLACEMENT PKG. No.
7016755	7016755	7016755	7016755	7016755	OVERHAUL KIT
7039114	7039114	7039114	7039114	7039114	MINOR REPAIR KIT (NEO-TIP)
7039137	7039137	7039137	7039137	7039137	MINOR REPAIR KIT (STEEL)
7016757	7016757	7016757	7016757	7016757	GASKET SET
NLA	7028945	7028944	7028945	NLA	ALTITUDE KIT

Illus. No.	AIR HORN PARTS					
1	7035815	7035815	7035815	7035815	7035815	Gasket—Air Horn
2	7010432	7010432	7010432	7010432	7010432	Screw—Air Horn—Long
3	7006119	7006119	7006119	7006119	7006119	Screw—Air Horn—Short
4	726254	726254	726254	726254	726254	Lockwasher—Air Horn Screws
5	7032377	7032377	7032377	7032377	7032377	Lever—Pump—Inside
6	7036764	7036764	7036764	7036764	7036764	Pump Shaft and Lever Assembly
7	7011270	7011270	7011270	7011270	7011270	Screw—Pump Lever
8	7037562	7037562	7037562	7037562	7037562	Pump Assembly
9	7005032	7005032	7005032	7005032	7005032	Clip—Pump Plunger
10	7040955	7040955	7040955	7040955	7040955	Filter Nut
11	7032508	7032508	7032508	7032508	7032508	Gasket—Filter Nut
12	5651393	5651393	5651393	5651393	NLA	Filter—Fuel Inlet
12A	7032732	7032732	7032732	7032732	7032732	Spring—Filter
13	NLA	NLA	NLA	NLA	NLA	Air Horn Assembly
14	7009718	7006011	7009718	7006011	7006011	Power Piston Assembly
15	7035592	7035592	7035592	7035592	7035592	Float Assembly
16	7010037	7010037	7010037	7010037	7010037	Pin—Float Hinge
17	7023813	7023813	7023813	7023813	7023813	Needle and Seat Assembly (Neo-tip)
17	7019932	7019932	7019932	7019932	7019932	Needle and Seat Assembly (Steel)
18	7019535	7019535	7019535	7019535	7019535	Gasket—Needle Seat
—	7006474	7006474	7006474	7006474	7006474	Pull Clip—Float Needle
19	7012835	7012835	7012835	7012835	7012835	Shield—Idle Vent
20	7012252	7012252	7012252	7012252	7012252	Idle Vent Valve Kit
21	7012548	7012548	7012548	7012548	7012548	Screw—Idle Vent
22	7029993	7029993	7029993	7029993	7029993	Valve—Idle Vent

C.C.C. — CLIMATIC COMBUSTION CONTROL
A.I.R. — AIR INJECTION REACTOR
C.C.S. — COMBUSTION CONTROL SYSTEM

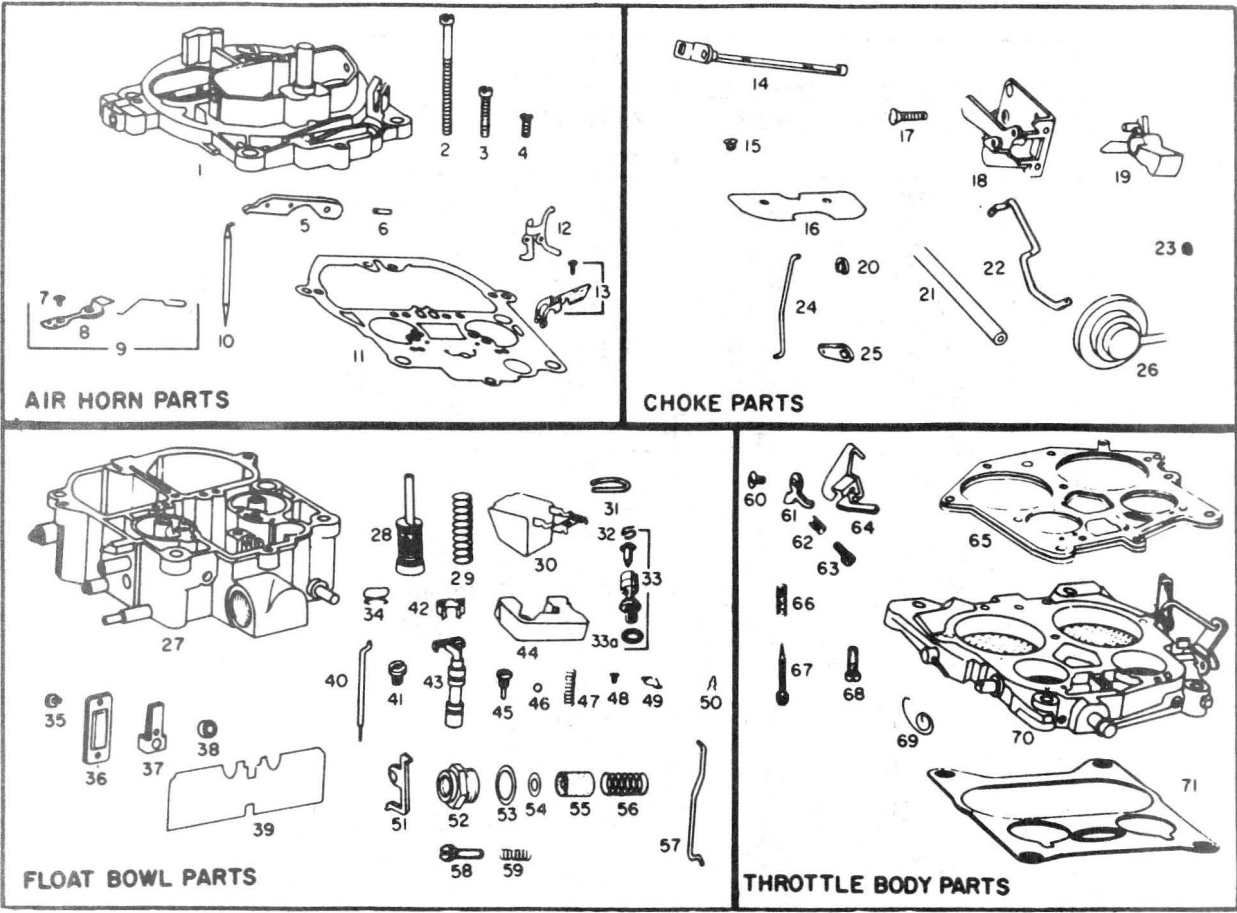


1967 ROCHESTER CARBURETOR MODEL 2GC — CONT'D

	C. C. C. STANDARD	C. C. C. AIR COND.	A. I. R. STANDARD	A. I. R. AIR COND.	C.C.S. AIR COND.	APPLICATION
	7027033	7027136	7037055	7037057	7027139	CARBURETOR No.
Illus. No.	CHOKE PARTS					
23	7013995	7013995	7013995	7013995	7013995	Gasket—Choke Housing
24	7034287	7034287	7034287	7034287	7034287	Choke Housing Assembly
25	7013704	7013704	7013704	7013704	7013704	Screw—Choke Housing
26	7035711	7035711	7035711	7035711	7035711	Baffle Plate
27	7002760	7002760	7002760	7002760	7002760	Gasket—Stat Cover
28	7031484	7031484	7031484	7031484	7031484	Stat Cover, Coil and Gasket Assembly
29	7000614	7000614	7000614	7000614	7000614	Retainer—Stat Cover
30	7011270	7011270	7011270	7011270	7011270	Screw—Stat Cover
31	7016682	7016682	7016682	7016682	7016682	Rod—Choke
32	836159	836159	836159	836159	836159	Clip—Choke Rod
33	7002287	7002287	7002287	7002287	7002287	Washer—Choke Rod
34	7031759	7031759	7031759	7031759	7031759	Intermediate Choke Shaft Assembly
34A	7019751	7019751	7019751	7019751	7019751	Dust Seal—Intermediate Choke Shaft
35	7016683	7016683	7016683	7016683	7016683	Intermediate Choke Rod
36	836159	836159	836159	836159	836159	Clip—Intermediate Choke Rod
37	7026664	7026664	7026664	7026664	7026664	Choke Lever and Link Assembly
38	7019709	7019709	7019709	7019709	7019709	Screw—Piston Lever Attaching
39	7031870	7031870	7031870	7031870	7031870	Choke Piston
40	7010746	7010746	7010746	7010746	7010746	Pin—Choke Piston
41	7020667	7020667	7020667	7020667	7020667	Choke Shaft Assembly
42	7033443	7033443	7033443	7033443	7033443	Choke Valve
43	7007627	7007627	7007627	7007627	7007627	Screw—Choke Valve
44	7020669	7020669	7020669	7020669	7020669	Choke Lever and Collar Assembly
45	7003135	7003135	7003135	7003135	7003135	Plug—Expansion—Large
46	7002814	7002814	7002814	7002814	7002814	Plug—Lead Ball
	FLOAT BOWL PARTS					
47	7043600	7043600	7043600	7043600	7043600	Spring—Pump Return
48	7000286	7000286	7000286	7000286	7000286	Guide—Pump Discharge
49	7002118	7002118	7002118	7002118	7002118	Spring—Pump Discharge
50	7002117	7002117	7002117	7002117	7002117	Ball—Pump Discharge
51	7002120	7002120	7002120	7002120	7002120	Ball—Pump Inlet Check
52	7004557	7004557	7004557	7004557	7004557	Screen—Pump Inlet
53	7029728	NLA	NLA	NLA	NLA	Float Bowl Assembly
54	7019533	7019533	7031507	7031507	7031507	Gasket—Venturi Cluster
55	7029951	NLA	NLA	7031516	7031516	Venturi Cluster Assembly
56	7008502	7008502	7008502	7008502	7008502	Screw—Venturi Cluster—Outer
57	7009077	7009077	7009077	7009077	7009077	Screw—Venturi Cluster—Center
58	7008892	7008892	7008892	7008892	7008892	Gasket—Center Screw
59	726254	726254	726254	726254	726254	Lockwasher—Outer Screws
60	7008663	7008663	7008663	7008663	7008663	Jet—Standard
61	7011989	7011989	7011989	7011989	7011989	Power Valve Assembly
62	7011990	7011990	7011990	7011990	7011990	Gasket—Power Valve
63	NLA	NLA	7029533	7029533	7029533	Cam—Fast Idle
64	7003561	7003561	7003561	7003561	7003561	Screw—Cam Attaching
65	7020684	7020684	7020684	7020684	7020684	Rod—Choke Unloader
66	1875293	1875293	1875293	1875293	1875293	Clip—Unloader Rod
67	—	7015127	—	7015127	7015127	Screw—Idle Compensator
68	—	7013341	—	7013341	7013341	Gasket—Idle Compensator
69	—	7028924	—	7028924	7035343	Idle Compensator Kit
	THROTTLE BODY PARTS					
70	7038185	7038185	7038185	7038185	7038185	Gasket—Throttle Body
71	7015105	7015105	7015105	7015105	7015105	Screw—Throttle Body
72	121744	121744	121744	121744	121744	Lockwasher—Throttle Body Screw
73	1875293	1875293	1875293	1875293	1875293	Clip—Pump Rod
74	7029658	7029658	7029658	7029658	7029658	Pump Rod
75	7013347	7013347	7013347	7013347	7013347	Fast Idle Screw
76	7001690	7001690	7001690	7001690	7001690	Spring—Fast Idle Screw
77	7035727	7035727	7035727	7035727	7035727	Fast Idle Lever Assembly
78	7010435	7010435	7010435	7010435	7010435	Screw—Fast Idle Lever
79	7002121	7002121	7002121	7002121	7002121	Idle Stop Screw
79A	7009728	7009728	7009728	7009728	7009728	Spring—Idle Stop Screw
N.L.A.	N.L.A.	N.L.A.	N.L.A.	N.L.A.	N.L.A.	Throttle Body Assembly
81	7042433	7042433	7042433	7042433	7042433	Idle Needle
82	7011479	7011479	7011479	7011479	7011479	Spring—Idle Needles
83	578912	578912	578912	578912	578912	Gasket—Flange

7027290	Intake Air Bleed Valve Assembly (A.I.R.)
---------	--

1967 ROCHESTER CARBURETOR MODEL 4MV
FOR 400 (4BC) CUBIC INCH ENGINE
 Exc. Climatic Combustion Control



PARTS SHOWN ARE FOR IDENTIFICATION ONLY. CONSULT PARTS LIST FOR CORRECT PART NAME AND NUMBER

400" & 425" STANDARD	APPLICATION
7027156	CARBURETOR No. (W/O A.I.R.)
7027157	CARBURETOR No. (A.I.R.)
7036689	REPLACEMENT PACKAGE No.
7034542	OVERHAUL KIT
7039112	MINOR REPAIR KIT
7036699	GASKET SET
NLA	ALTITUDE KIT

Illus. No.	AIR HORN PARTS	
1	7035321	Air Horn Assembly (W/O A.I.R.)
1	7035321	Air Horn Assembly (A.I.R.)
2	7029912	Screw—Air Horn
3	7014699	Screw—Air Horn
4	7031105	Screw—Air Horn
5	7048028	Lever—Pump Actuating
6	9428787	Roll Pin—Pump and Lockout Levers
7	7012548	Screw—Idle Vent Valve
8	7029993	Valve—Idle Vent
9	7031423	Idle Vent Valve Kit
10	7033655	Metering Rod—Secondary
11	7029087	Gasket—Air Horn
12	7031393	Lockout Lever—Air Valve
13	7034522	Secondary Metering Rod Holder Kit
	7035344	Air Valve Spring and Cam Kit

A.I.R. — AIR INJECTION REACTOR



1967 ROCHESTER CARBURETOR MODEL 4MV — CONT'D
FOR 400 (4BC) CUBIC INCH ENGINE
Exc. Climatic Combustion Control

	400" & 425" STANDARD	APPLICATION
	7027156	CARBURETOR No. (W/O A.I.R.)
	7027157	CARBURETOR No. (A.I.R.)

Illus. No.	CHOKE PARTS	
14	7036432	Choke Shaft and Valve Kit
15	7029866	Screw—Choke Valve
16	7036432	Choke Valve
17	7031925	Screw—Vacuum Break Control
18	7034541	Vacuum Break Control Bracket Assembly
19	7033977	Cam—Fast Idle
20	7032726	Clip—Choke Rod
21	7026339	Hose—Vacuum
22	7038167	Rod—Vacuum Break
23	836159	Clip—Vacuum Break Rod
24	7033517	Rod—Choke
25	7031231	Lever—Intermediate Choke
26	7038238	Vacuum Break Control Assembly

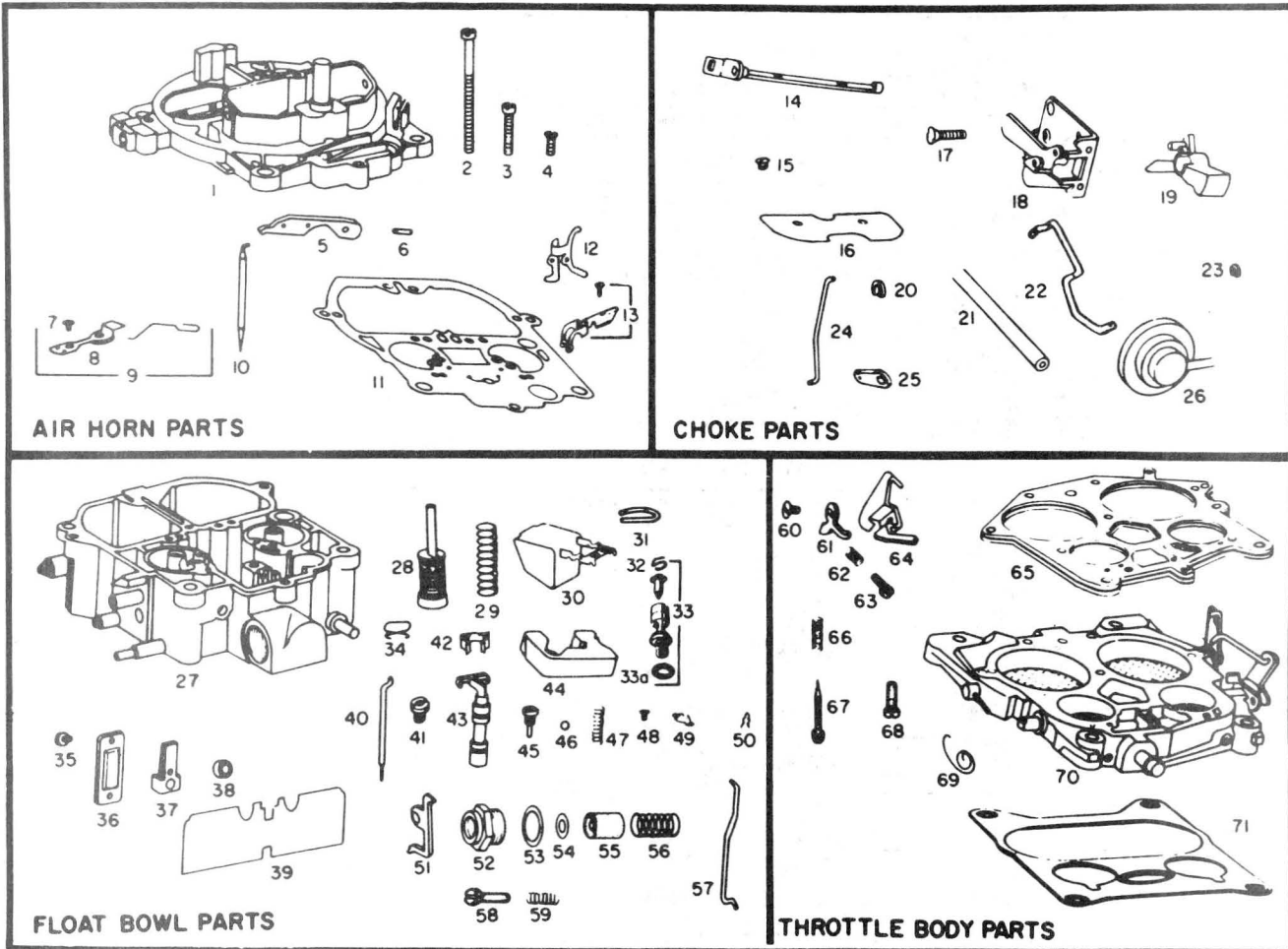
FLOAT BOWL PARTS		
27	7034537	Float Bowl Assembly (W/O A.I.R.)
27	N.L.A.	Float Bowl Assembly (A.I.R.)
28	7034111	Pump Assembly
29	7043600	Spring—Pump Return
30	7034454	Float Assembly
31	7029856	Hinge Pin—Float
32	7033751	Pull Clip—Float Needle
33	7035142	Needle and Seat Assembly
33A	7033747	Gasket Needle Seat
34	7029862	Spring—Metering Rod—Primary
35	7020926	Screw—Cover Attaching
36	7029865	Cover—Idle Compensator
37	7033152	Idle Compensator Assembly
38	7027970	Gasket—Idle Compensator
39	7031365	Baffle Plate—Float Bowl
40	7031844	Metering Rod—Primary (W/O A.I.R.)
40	7031845	Metering Rod—Primary (A.I.R.)
41	7031971	Metering Jet—Primary
42	7034339	Retainer—Power Piston
43	7032979	Power Piston Assembly
44	7034361	Insert—Float Bowl
45	7029849	Retainer—Pump Discharge Ball
46	7002117	Ball—Pump Discharge
47	7029922	Spring—Power Piston
48	—	Screw—Diaphragm Retainer
49	—	Retainer—Float Needle Diaphragm
50	836159	Clip—Pump Rod
51	—	Lockout Lever—Secondary
52	7040955	Filter Nut—Fuel Inlet
53	7032508	Gasket—Inlet Nut
54	—	Gasket—Filter
55	5651393	Filter—Fuel Inlet
56	7032732	Spring—Inlet Filter
57	7026138	Rod—Pump
58	7002121	Screw—Idle Stop
59	7003176	Spring—Idle Stop Screw

THROTTLE BODY PARTS		
60	7010435	Screw—Cam and Fast Idle Levers
61	7043671	Lever—Fast Idle
62	7029900	Spring—Fast Idle Screw
63	7029899	Screw—Fast Idle
64	7033907	Lever—Cam Follower
65	7035560	Gasket—Throttle Body
66	7011479	Spring—Idle Needle
67	7042433	Needle—Idle Adjusting
68	7029891	Screw—Throttle Body
69	7031901	Spring—Cam Follower Lever
70	7033654	Throttle Body Assembly (W/O A.I.R.)
70	7033662	Throttle Body Assembly (A.I.R.)
71	412501	Gasket—Flange

ACCESSORIES

7027094	Manifold Stat Coil Assembly
NLA	Intake Air Bleed Valve Assembly

1967 ROCHESTER CARBURETOR MODEL 4MV
FOR 400 (4BC) CUBIC INCH ENGINE
With Climatic Combustion Control



PARTS SHOWN ARE FOR IDENTIFICATION ONLY. CONSULT PARTS LIST FOR CORRECT PART NAME AND NUMBER

	400" & 425" STANDARD	APPLICATION
	7027032	CARBURETOR No.
	7036689	REPLACEMENT PACKAGE No.
	7034542	OVERHAUL KIT
	7039112	MINOR REPAIR KIT
	7036699	GASKET SET
	NLA	ALTITUDE KIT

Illus. No.	AIR HORN PARTS	
1	7035321	Air Horn Assembly
2	7029912	Screw—Air Horn
3	7014699	Screw—Air Horn
4	7031105	Screw—Air Horn
5	7048028	Lever—Pump Actuating
6	9428787	Roll Pin—Pump and Lockout Levers
7	7012548	Screw—Idle Vent Valve
8	7029993	Valve—Idle Vent
9	7031423	Idle Vent Valve Kit
10	7033655	Metering Rod—Secondary
11	7029087	Gasket—Air Horn
12	7031393	Lockout Lever—Air Valve
13	7034522	Secondary Metering Rod Holder Kit
—	7035344	Air Valve Spring and Cam Kit

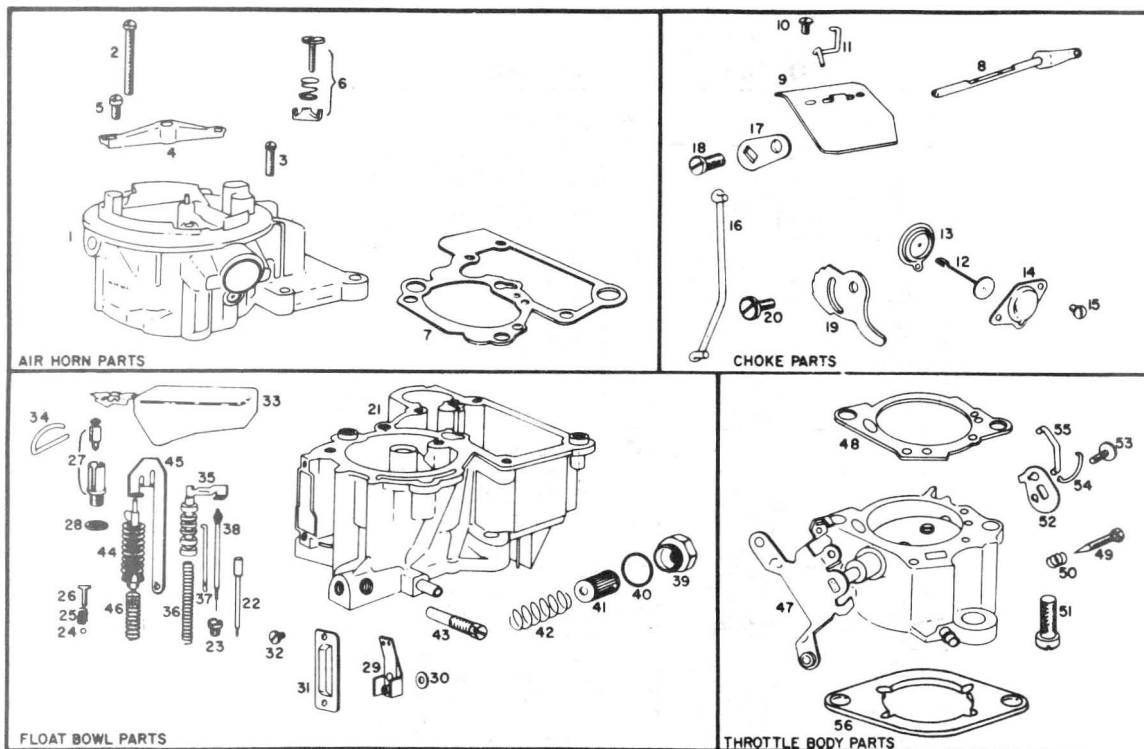


1967 ROCHESTER CARBURETOR MODEL 4MV — CONT'D
FOR 400 (4BC) CUBIC INCH ENGINE
 With Climatic Combustion Control

	400" & 425" C.C.C. STANDARD	APPLICATION
	7027032	CARBURETOR No.
Illus. No.	CHOKE PARTS	
14	7036432	Choke Shaft and Valve Kit
15	7029866	Screw—Choke Valve
16	7036432	Choke—Valve
17	7031925	Screw—Vacuum Break Control
18	7034541	Vacuum Break Control Bracket Assembly
19	7033977	Cam—Fast Idle
20	7032726	Clip—Choke Rod
21	7026339	Hose—Vacuum
22	7038167	Rod—Vacuum Break
23	836159	Clip—Vacuum Break Rod
24	7033517	Rod—Choke
25	7031231	Lever—Intermediate Choke
26	7038238	Vacuum Break Control Assembly
	FLOAT BOWL PARTS	
27	N.L.A.	Float Bowl Assembly
28	7034111	Pump Assembly
29	7043600	Spring—Pump Return
30	7034454	Float Assembly
31	7029856	Hinge Pin—Float
32	7033751	Pull Clip—Float Needle
33	7035142	Needle and Seat Assembly
33A	7033747	Gasket—Needle Seat
34	7029862	Spring—Metering Rod—Primary
35	7020926	Screw—Cover Attaching
36	7029865	Cover—Idle Compensator
37	7033152	Idle Compensator Assembly
38	7027970	Gasket—Idle Compensator
39	7031365	Baffle Plate—Float Bowl
40	7031845	Metering Rod—Primary
41	7031971	Metering Jet—Primary
42	7034339	Retainer—Power Piston
43	7032979	Power Piston Assembly
44	7034361	Insert—Float Bowl
45	7029849	Retainer—Pump Discharge Ball
46	7002117	Ball—Pump Discharge
47	7029922	Spring—Power Piston
48	—	Screw—Diaphragm Retainer
49	—	Retainer—Float Needle Diaphragm
50	836159	Clip—Pump Rod
51	—	Lockout Lever—Secondary
52	7040955	Filter Nut—Fuel Inlet
53	7032508	Gasket—Inlet Nut
54	—	Gasket—Filter
55	5651393	Filter—Fuel Inlet
56	7032732	Spring—Inlet Filter
57	7026138	Rod—Pump
58	7002121	Screw—Idle Stop
59	7003176	Spring—Idle Stop Screw
	THROTTLE BODY PARTS	
60	7010435	Screw—Cam and Fast Idle Levers
61	7043671	Lever—Fast Idle
62	7029900	Spring—Fast Idle Screw
63	7029899	Screw—Fast Idle
64	7033907	Lever—Cam Follower
65	7035560	Gasket—Throttle Body
66	7011479	Spring—Idle Needle
67	7042433	Needle—Idle Adjusting
68	7029891	Screw—Throttle Body
69	7031901	Spring—Cam Follower Lever
70	7033654	Throttle Body Assembly
71	412501	Gasket—Flange
	ACCESSORIES	
7027094	Manifold Stat Coil Assembly—All Other	



1968-69 ROCHESTER CARBURETOR MODEL MV
6 CYLINDER



PARTS SHOWN ARE FOR IDENTIFICATION ONLY. CONSULT PARTS LIST FOR CORRECT PART NAME AND NUMBER

1968		1969		YEAR
AUTO. TRANS.	MAN. TRANS.	AUTO. TRANS.	MAN. TRANS.	APPLICATION
7028014	7028057	7029014	7029057	CARBURETOR No.
17054226	7036440	17054226	7016957	REPLACEMENT PACKAGE No.
7016824	7036443	7036548	7036607	OVERHAUL KIT
7039147	7039147	7039147	7039147	POWER CARBURETOR KIT
7036546	7036546	7036546	7036546	GASKET SET

Illus. No.	AIR HORN PARTS				
1	NLA	NLA	7037776	NLA	Air Horn Assembly
2	7038912	7038912	7038912	7038912	Screw - Air Horn - Long
3	7014698	7014698	7014698	7014698	Screw - Air Horn - Short
4	7037774	7037774	7037774	7037774	Bracket - Air Cleaner Stud
5	7038913	7038913	7038913	7038913	Screw - Bracket Attaching
6	7036348	7036348	7036348	7036348	Idle Vent Valve Kit
7	7035298	7035298	7037591	7037591	Gasket - Air Horn
			CHOKE PARTS		
8	7034056	7034056	7034056	7034056	Choke Shaft and Lever Assembly
9	7034012	7034012	7034012	7034012	Choke Valve
10	7020926	7020926	7020926	7020926	Screw - Choke Valve
11	7034013	7034013	7034013	7034013	Connector - Vacuum Break Link
12	7035877	7035877	7037778	7035877	Vacuum Break Link Assy.
13	7034017	7034017	7034017	7034017	Diaphragm - Vacuum Break
14	7034018	7034018	7034018	7034018	Cover - Vacuum Break
15	7020926	7020926	7020926	7020926	Screw - Cover
16	7034057	7034057	7037000	7037000	Choke Rod
17	7034056	7034056	7034056	7034056	Choke Lever
18	7019709	7019709	7019709	7019709	Screw - Choke Lever
19	7036239	7036239	7040633	7040633	Cam - Fast Idle
20	7003561	7003561	7003561	7003561	Screw - Cam Attaching

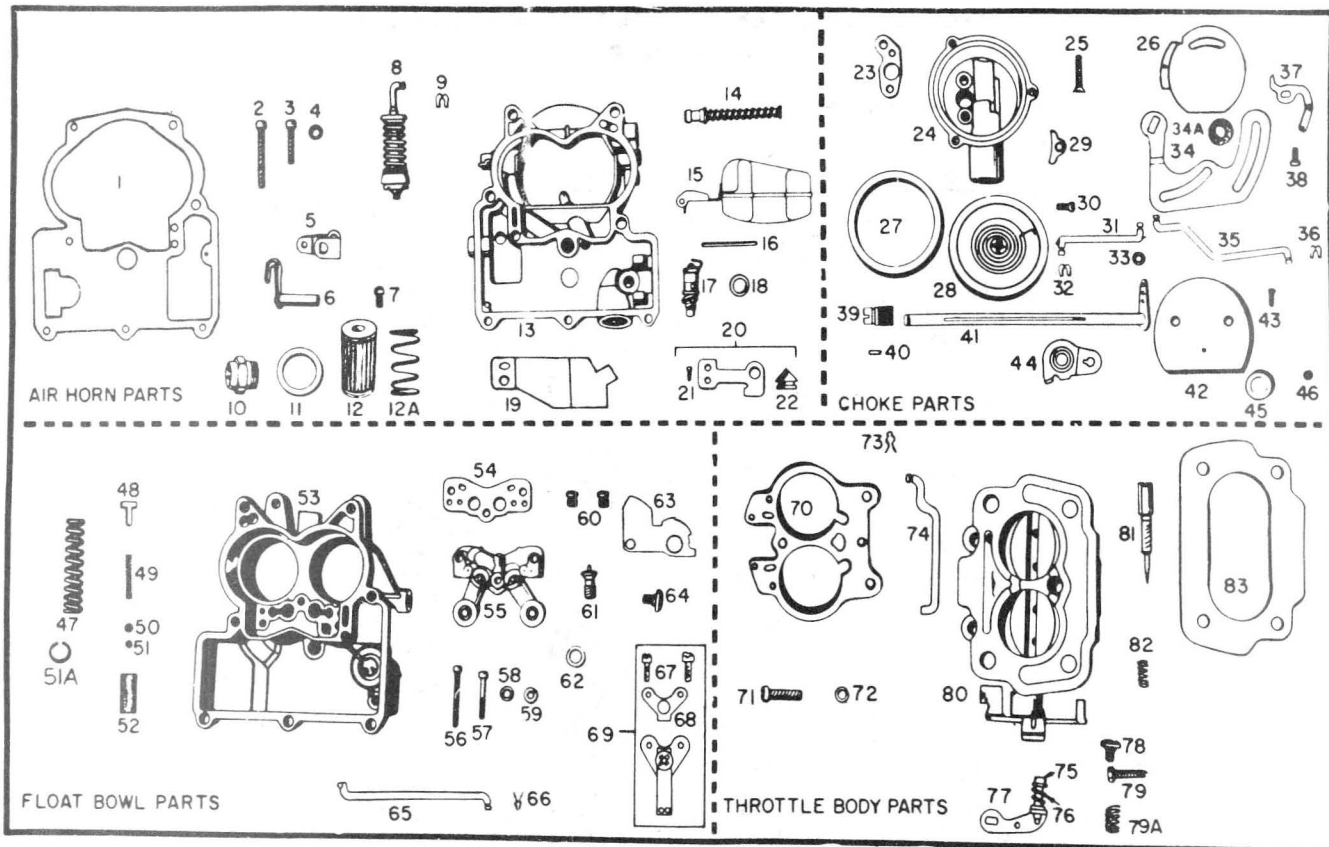
**1968-69 ROCHESTER CARBURETOR MODEL MV
6 CYLINDER**

	1968		1969		YEAR
	AUTO. TRANS.	MAN. TRANS.	AUTO. TRANS.	MAN. TRANS.	APPLICATION
	7028014	7028057	7029014	7029057	CARBURETOR No.
Illus. No.	FLOAT BOWL PARTS				
21	7036667	7036442	7036667	7036442	Float Bowl Assembly
22	7033940	7033940	7033940	7033940	Idle Tube Assembly
23	7034203	7034202	7034203	7034202	Jet - Standard
23	7034200	7034199	7034201	7034199	Jet - Altitude
24	7002117	7002117	7002117	7002117	Ball - Pump Discharge
25	7002118	7002118	7002118	7002118	Spring - Pump Discharge
26	7003838	7003838	7003838	7003838	Guide - Pump Discharge
27	7035133	7035133	7035133	7035133	Needle and Seat Assembly
28	7019535	7019535	7019535	7019535	Gasket - Needle Seat
29	7035870	7035870	7035870	7035870	Idle Compensator Assembly
30	7027970	7027970	7027970	7027970	Gasket - Idle Compensator
31	7035670	7035670	7035670	7035670	Cover - Idle Compensator
32	7034030	7034030	7034030	7034030	Screw - Cover
33	7037022	7037022	7037022	7037022	Float Assembly
34	7034032	7034032	7034032	7034032	Hinge Pin - Float
35	7035295	7035889	7037780	7035889	Power Piston Assembly
36	7012515	7012515	7012515	7012515	Spring - Power - Power Piston
37	7035297	7036269	7035297	7036269	Rod - Power Piston
-	-	7036270	-	7036270	Spring - Power Piston Rod
38	7035931	7035931	7043615	7035931	Metering Rod & Spring Assembly
39	7038946	7038946	7038946	7038946	Filter Nut - Fuel Inlet
40	7032508	7032508	7032508	7032508	Gasket - Filter Nut
41	5651393	5651393	5651393	5651393	Filter - Fuel Inlet
42	7031539	7031539	7031539	7031539	Spring - Fuel Filter
43	7034034	7034034	7034034	7034034	Screw - Slow Idle
44	7037597	7037597	7037597	7037597	Pump Assembly
45	7034048	7034048	7034048	7034048	Lever - Pump Actuating
46	7008694	7008694	7008694	7008694	Spring - Pump Return
	THROTTLE BODY PARTS				
47	7037033	NLA	7037033	7037043	Throttle Body Assembly
48	7037767	7037767	7037767	7037767	Gasket - Throttle Body
49	7048860	7048860	7048860	7048860	Idle Needle
50	7011479	7011479	7011479	7011479	Spring - Idle Needle
51	7038875	7038875	7038875	7038875	Screw - Throttle Body
52	7038049	7038049	7038049	7038049	Lever - Pump and Power Rods
53	7010435	7010435	7010435	7010435	Screw - Lever Attaching
54	7035502	7035502	7035502	7035502	Link - Power Piston Rod
55	7037981	7037981	7037981	7037981	Link - Pump Lever
56	3953732	3953732	3953732	3953732	Gasket - Flange

ACCESSORIES	
7036450	Diverter Valve Assembly - 1968
7029198	Diverter Valve Assembly - 1969



1968 ROCHESTER CARBURETOR MODEL 2GC
350 CUBIC INCH ENGINE 2BC



PARTS SHOWN ARE FOR IDENTIFICATION ONLY. CONSULT PARTS LIST FOR CORRECT PART NAME AND NUMBER

Illus. No.	EARLY		LATE	APPLICATION
	STANDARD	AIR COND.	AIR COND.	
	7028157	7028156	7028154	CARBURETOR No.
	7016956	7016956	7016956	REPLACEMENT PKG. No.
	7016836	7016836	7016836	OVERHAUL KIT
	7039124	7039124	7039124	POWER CARB. KIT (NEO-tiP)
	7039139	7039139	7039139	POWER CARB. KIT (STEEL)
	7016852	7016852	7016852	GASKET SET
	7036525	NLA	NLA	ALTITUDE KIT
1	7035815	7035815	7035815	Gasket - Air Horn
2	7010432	7010432	7010432	Screw - Air Horn - Long
3	7006119	7006119	7006119	Screw - Air Horn - Short
4	726254	726254	726254	Lockwasher - Air Horn Screws
5	7032377	7032377	7032377	Lever - Pump - Inside
6	7036764	7036764	7036764	Pump Shaft and Lever Assembly
7	7011270	7011270	7011270	Screw - Pump Lever
8	7038413	7038413	7038413	Pump Assembly
9	7005032	7005032	7005032	Clip - Pump Plunger
10	7040957	7040957	7040957	Filter Nut - Fuel Inlet
11	7032508	7032508	7032508	Gasket - Filter Nut
12	5650906	5650906	5650906	Filter - Fuel Inlet
12A	7032732	7032732	7032732	Spring - Fuel Filter
13	NLA	NLA	NLA	Air Horn Assembly
14	7009718	7009718	7009718	Power Piston Assembly
15	7035592	7035592	7035592	Float Assembly
16	7010037	7010037	7010037	Pin - Float Hinge
17	7023813	7023813	7023813	Needle and Seat Assembly (Neo-tiP)
17	7019932	7019932	7019932	Needle and Seat Assembly (Steel)
18	7019535	7019535	7019535	Gasket - Needle Seat
-	7006474	7006474	7006474	Pull Clip - Float Needle

AIR HORN PARTS



F85
OLDSMOBILE

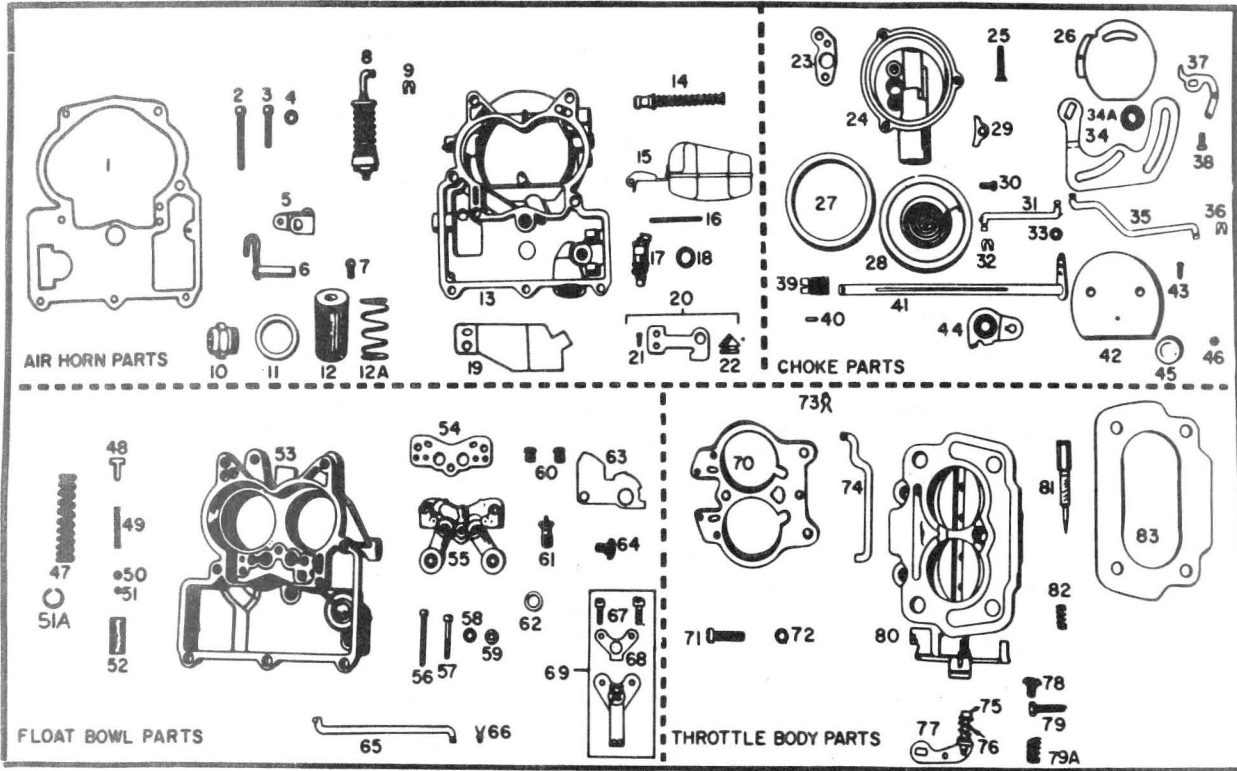
PARTS CATALOGUE

1968 ROCHESTER CARBURETOR MODEL 2GC 350 CUBIC INCH ENGINE 2BC

Illus. No.	EARLY		LATE	APPLICATION CARBURETOR No.
	STANDARD 7028157	AIR COND. 7028156	AIR COND. 7028154	
AIR HORN PARTS (Con't.)				
19	7012835	7012835	7012835	Shield - Idle Vent
20	7012252	7012252	7012252	Idle Vent Valve Kit
21	7012548	7012548	7012548	Screw - Idle Vent
22	7029993	7029993	7029993	Valve - Idle Vent
CHOKE PARTS				
23	7013995	7013995	7013995	Gasket - Choke Housing
24	7034288	7034288	7034288	Choke Housing Assembly
25	7013704	7013704	7013704	Screw - Choke Housing
26	7035711	7035711	7035711	Baffle Plate
27	7002760	7002760	7002760	Gasket - Stat Cover
28	7029727	7029727	7029727	Stat Cover, Coil and Gasket Assembly
29	7000614	7000614	7000614	Retainer - Stat Cover
30	7011270	7011270	7011270	Screw - Stat Cover
31	7016682	7016682	7016682	Rod - Choke
32	836159	836159	836159	Clip - Choke Rod
33	7002287	7002287	7002287	Washer - Choke Rod
34	7035765	7035765	7035765	Intermediate Choke Shaft Assembly
34A	7019751	7019751	7019751	Dust Seal - Inter Choke Shaft
35	7016683	7016683	7016683	Intermediate Choke Rod
36	836159	836159	836159	Clip - Intermediate Choke Rod
37	7035626	7035626	7035626	Choke Lever and Link Assembly
38	7019709	7019709	7019709	Screw - Piston Lever Attaching
39	7029699	7029699	7029699	Choke Piston
40	7004748	7004748	7004748	Pin - Choke Piston
41	7020667	7020667	7020667	Choke Shaft Assembly
42	7033443	7033443	7033443	Choke Valve
43	7007627	7007627	7007627	Screw - Choke Valve
44	7020669	7020669	7020669	Choke Lever and Collar Assembly
45	7003135	7003135	7003135	Plug - Expansion - Large
46	7002814	7002814	7002814	Plug - Lead Ball
FLOAT BOWL PARTS				
47	7043600	7043600	7043600	Spring - Pump Return
48	7000286	7000286	7000286	Guide - Pump Discharge
49	7002118	7002118	7002118	Spring - Pump Discharge
50	7002117	7002117	7002117	Ball - Pump Discharge
51	7002120	7002120	7002120	Ball - Pump Inlet Check
51A	7034609	7034609	7034609	Retainer - Check Ball
52	7004557	7004557	7004557	Screen - Pump Inlet
53	7035387	7035387	7035387	Float Bowl Assembly
54	7031507	7031507	7031507	Gasket - Venturi Cluster
55	7031516	7031516	7031516	Venturi Cluster Assembly
56	7008502	7008502	7008502	Screw - Venturi Cluster - Outer
57	7009077	7009077	7009077	Screw - Venturi Cluster - Center
58	7008892	7008892	7008892	Gasket - Center Screw
59	726254	726254	726254	Lockwasher - Outer Screws
60	7008660	7008662	7008662	Jet - Standard
61	7011989	7011989	7011989	Power Valve Assembly
62	7011990	7011990	7011990	Gasket - Power Valve
63	7035768	7035768	7035768	Cam - Fast Idle
64	7003561	7003561	7003561	Screw - Cam Attaching
65	7020684	7020684	7020684	Rod - Choke Unloader
66	1875293	1875293	1875293	Clip - Unloader Rod
67	-	7015127	7015127	Screw - Idle Compensator
68	-	7013341	7013341	Gasket - Idle Compensator
69	-	7035240	7035240	Idle Compensator Kit
THROTTLE BODY PARTS				
70	7038185	7038185	7038185	Gasket - Throttle Body
71	7015105	7015105	7015105	Screw - Throttle Body
72	121744	121744	121744	Lockwasher - Throttle Body Screw
73	1875293	1875293	1875293	Clip - Pump Rod
74	7036807	7036807	7036807	Pump Rod
75	7029427	7029427	7029427	Fast Idle Screw
76	7029428	7029428	7029428	Spring - Fast Idle Screw
77	NAL	NLA	NLA	Fast Idle Lever Assembly
78	7010435	7010435	7010435	Screw - Fast Idle Lever
79	7002121	7002121	7002121	Idle Stop Screw
79A	7009728	7009728	7009728	Spring - Idle Stop Screw
80	NLA	NLA	NLA	Throttle Body Assembly
81	7042433	7042433	7042433	Idle Needle
82	7011479	7011479	7011479	Spring - Idle Needles
83	578912	578912	578912	Gasket - Flange



1968 ROCHESTER CARBURETOR MODEL 2GC
400 & 455 CUBIC INCH ENGINES 2BC



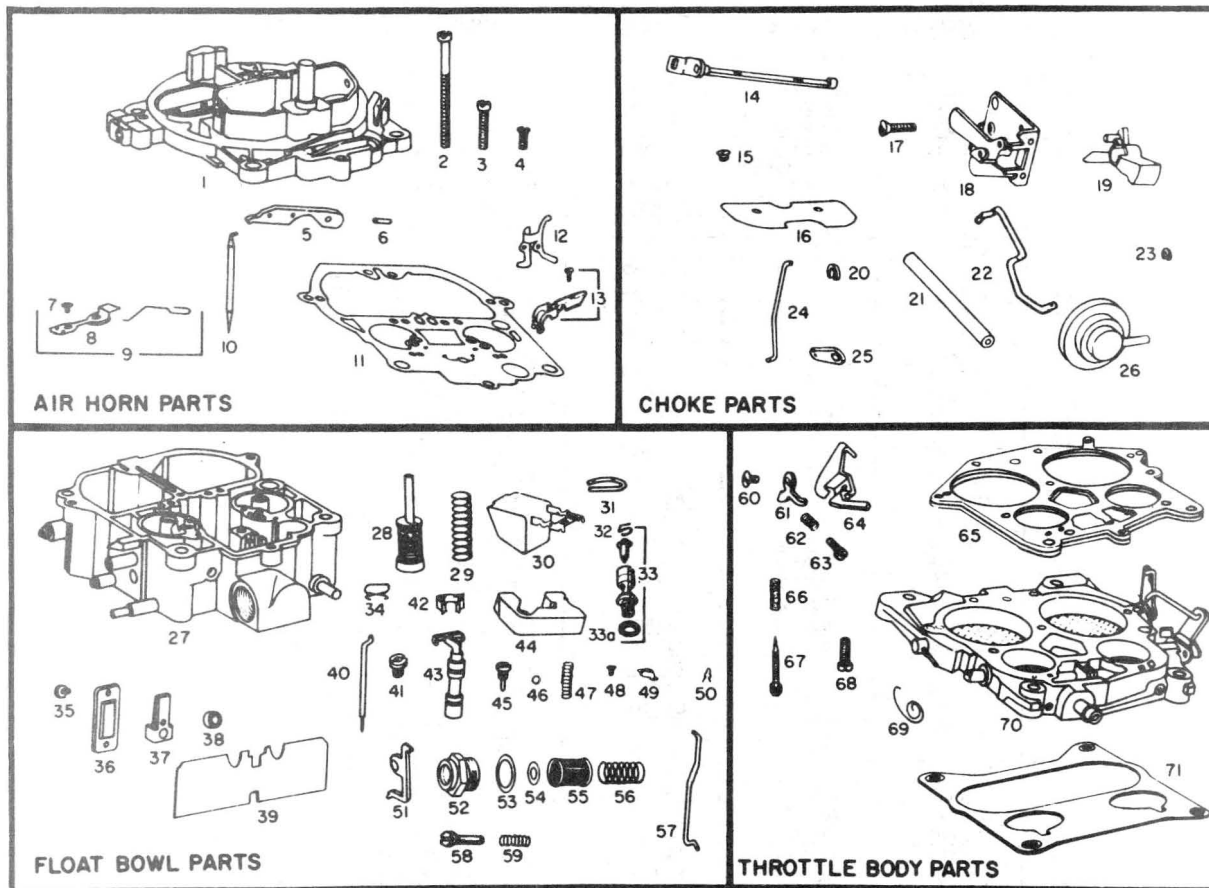
PARTS SHOWN ARE FOR IDENTIFICATION ONLY. CONSULT PARTS LIST FOR CORRECT PART NAME AND NUMBER

	AUTO TRANS. STANDARD	ALL AIR COND.	MAN. TRANS. STANDARD	APPLICATION
	7028158	7028159	7028155	CARBURETOR No.
	7016956	7016956	7016956	REPLACEMENT PACKAGE No.
	7016835	7016835	7016835	OVERHAUL KIT
	7039123	7039123	7039123	MINOR REPAIR KIT (NEO-TIP)
	7039137	7039137	7039137	MINOR REPAIR KIT (STEEL)
	7016757	7016757	7016757	GASKET SET
	AIR HORN PARTS			
Illus. No.				
1	7035815	7035815	7035815	Gasket - Air Horn
2	7010432	7010432	7010432	Screw - Air Horn - Long
3	7006119	7006119	7006119	Screw - Air Horn - Short
4	726254	726254	726254	Lockwasher - Air Horn Screws
5	7032377	7032377	7032377	Lever - Pump - Inside
6	7036764	7036764	7036764	Pump Shaft and Lever Assembly
7	7011270	7011270	7011270	Screw - Pump Lever
8	NLA	NLA	NLA	Pump Assembly
9	7005032	7005032	7005032	Clip - Pump Plunger
10	7040957	7040957	7040957	Filter Nut
12	5650906	5650906	5650906	Filter - Fuel Inlet
12A	7032732	7032732	7032732	Spring - Filter
13	NLA	NLA	NLA	Air Horn Assembly
14	7009718	7009718	7009718	Power Piston Assembly
15	7035592	7035592	7035592	Float Assembly
16	7010037	7010037	7010037	Pin - Float Hinge
17	7023813	7023813	7023813	Needle and Seat Assembly (Neo-tip)
17	7019932	7019932	7019932	Needle and Seat Assembly (Steel)
18	7019535	7019535	7019535	Gasket - Needle Seat
-	7006474	7006474	7006474	Pull Clip - Float Needle

1968 ROCHESTER CARBURETOR MODEL 2GC
400 & 455 CUBIC INCH ENGINES 2BC

	AUTO TRANS STANDARD	ALL AIR COND.	MAN. TRANS. STANDARD	APPLICATION
	7028158	7028159	7028155	CARBURETOR No. - VEL. GOV.
Illus. No.	AIR HORN PARTS (Con't.)			
19	7012835	7012835	7012835	Shield - Idle Vent
20	7012252	7012252	7012252	Idle Vent Valve Kit
21	7012548	7012548	7012548	Screw - Idle Vent
22	7029993	7029993	7029993	Valve - Idle Vent
	CHOKE PARTS			
23	7013995	7013995	7013995	Gasket - Choke Housing
24	7034287	7034287	7034287	Choke Housing Assembly
25	7013704	7013704	7013704	Screw - Choke Housing
26	7035711	7035711	7035711	Baffle Plate
27	7002760	7002760	7002760	Gasket - Stat Cover
28	7031484	7031484	7031484	Stat Cover, Coil and Gasket Assembly
29	7000614	7000614	7000614	Retainer - Stat Cover
30	7011270	7011270	7011270	Screw - Stat Cover
31	7016682	7016682	7016682	Rod - Choke
32	836159	836159	836159	Clip - Choke Rod
33	7002287	7002287	7002287	Washer - Choke Rod
34	7035714	7035714	7035714	Intermediate Choke Shaft Assembly
34A	7019751	7019751	7019751	Dust Seal - Intermediate Choke Shaft
35	7016683	7016683	7016683	Intermediate Choke Rod
36	836159	836159	836159	Clip - Intermediate Choke Rod
37	7035627	7035627	7035627	Choke Lever and Link Assembly
38	7019709	7019709	7019709	Screw - Piston Lever Attaching
39	7031870	7031870	7031870	Choke Piston
40	7010746	7010746	7010746	Pin - Choke Piston
41	7020677	7020667	7020667	Choke Shaft Assembly
42	7033443	7033443	7033443	Choke Valve
43	7007627	7007627	7007627	Screw - Choke Valve
44	7020669	7020669	7020669	Choke Lever and Collar Assembly
45	7003135	7003135	7003135	Plug - Expansion - Large
46	7002814	7002814	7002814	Plug - Lead Ball
	FLOAT BOWL PARTS			
47	7043600	7043600	7043600	Spring - Pump Return
48	7000286	7000286	7000286	Guide - Pump Discharge
49	7002118	7002118	7002118	Spring - Pump Discharge
50	7002117	7002117	7002117	Ball - Pump Discharge
51	7002120	7002120	7002120	Ball - Pump Inlet Check
51A	7034609	7034609	7034609	Retainer - Check Ball
52	7004557	7004557	7004557	Screen - Pump Inlet
53	7035387	7035387	7035387	Float Bowl Assembly
54	7031507	7031507	7031507	Gasket - Venturi Cluster
55	7031516	7031516	7031516	Venturi Cluster Assembly
56	7008502	7008502	7008502	Screw - Venturi Cluster - Outer
57	7009077	7009077	7009077	Screw - Venturi Cluster - Center
58	7008892	7008892	7008892	Gasket - Center Screw
59	726254	726254	726254	Lockwasher - Outer Screws
60	7008660	7008660	7008660	Jet - Standard
61	7011989	7011989	7011989	Power Valve Assembly
62	7011990	7011990	7011990	Gasket - Power Valve
63	7035768	7035768	7035768	Cam - Fast Idle
64	7003561	7003561	7003561	Screw - Cam Attaching
65	7020684	7020684	7020684	Rod - Choke Unloader
66	1875293	1875293	1875293	Clip - Unloader Rod
67	-	7015127	-	Screw - Idle Compensator
68	-	7013341	-	Gasket - Idle Compensator
69	-	7035240	-	Idle Compensator Kit
	THROTTLE BODY PARTS			
70	7038185	7038185	7038185	Gasket - Throttle Body
71	7015105	7015105	7015105	Screw - Throttle Body
72	121744	121744	121744	Lockwasher - Throttle Body Screw
73	1875293	1875293	1875293	Clip - Pump Rod
74	7036807	7036807	7036807	Pump Rod
75	7029427	7029427	7029427	Fast Idle Screw
76	7029428	7029428	7029428	Spring - Fast Idle Screw
77	NLA	NLA	NLA	Fast Idle Lever Assembly
78	7010435	7010435	7010435	Screw - Fast Idle Lever
79	7002121	7002121	7002121	Idle Stop Screw
79A	7009728	7009728	7009728	Spring - Idle Stop Screw
80	7036739	7036739	7036739	Throttle Body Assembly
81	7042433	7042433	7042433	Idle Needle
82	7011479	7011479	7011479	Spring - Idle Needles
83	578912	578912	578912	Gasket - Flange

1968 ROCHESTER CARBURETOR MODEL 4MV
ALL 4BC



PARTS SHOWN ARE FOR IDENTIFICATION ONLY. CONSULT PARTS LIST FOR CORRECT PART NAME AND NUMBER

	350 CU. IN. STANDARD	350 CU. IN. W-31 OPTION	400/455 CU. IN. STANDARD	400 CU. IN. W-31 OPTION	400 CU. IN. "442"	APPLICATION
	7028250	7028255	7028251	7028254	7028253	CARBURETOR No.
	7016950	7016939	7016937	7016939	7016937	REPLACEMENT PACKAGE No.
	7036698	7036708	7036698	NLA	NLA	OVERHAUL KIT
	7039163	7039163	7039163	7039163	7039163	POWER CARBURETOR KIT
	7036699	7036699	7036699	7036699	7036699	GASKET SET
	7036672	7036675	7036674	7036673	7036674	ALTITUDE KIT
Illus. No.	AIR HORN PARTS					
	1	7035219	7035220	7035220	7035220	Air Horn Assembly
	2	7029912	7029912	7029912	7029912	Screw - Air Horn
	3	7014699	7014699	7014699	7014699	Screw - Air Horn
	4	7031105	7031105	7031105	7031105	Screw - Air Horn
	5	7048028	7048028	7048028	7048028	Lever - Pump Actuating
	6	9428787	9428787	9428787	9428787	Roll Pin - Pump and Lockout Levers
	7	-	-	-	-	Screw - Idle Vent Valve
	8	-	-	-	-	Valve - Idle Vent
	9	-	-	-	-	Idle Vent Valve Kit
	10	7033658	7033658	7033655	7033655	Metering Rod - Secondary
	11	7029087	7029087	7029087	7029087	Gasket - Air Horn
	12	7031393	7031393	7031393	7031393	Lockout Lever - Air Valve
	13	7034522	7034522	7034522	7034522	Secondary Metering Rod Holder Kit
	7035344	7035344	7035344	7035344	Air Valve Spring and Cam Kit	



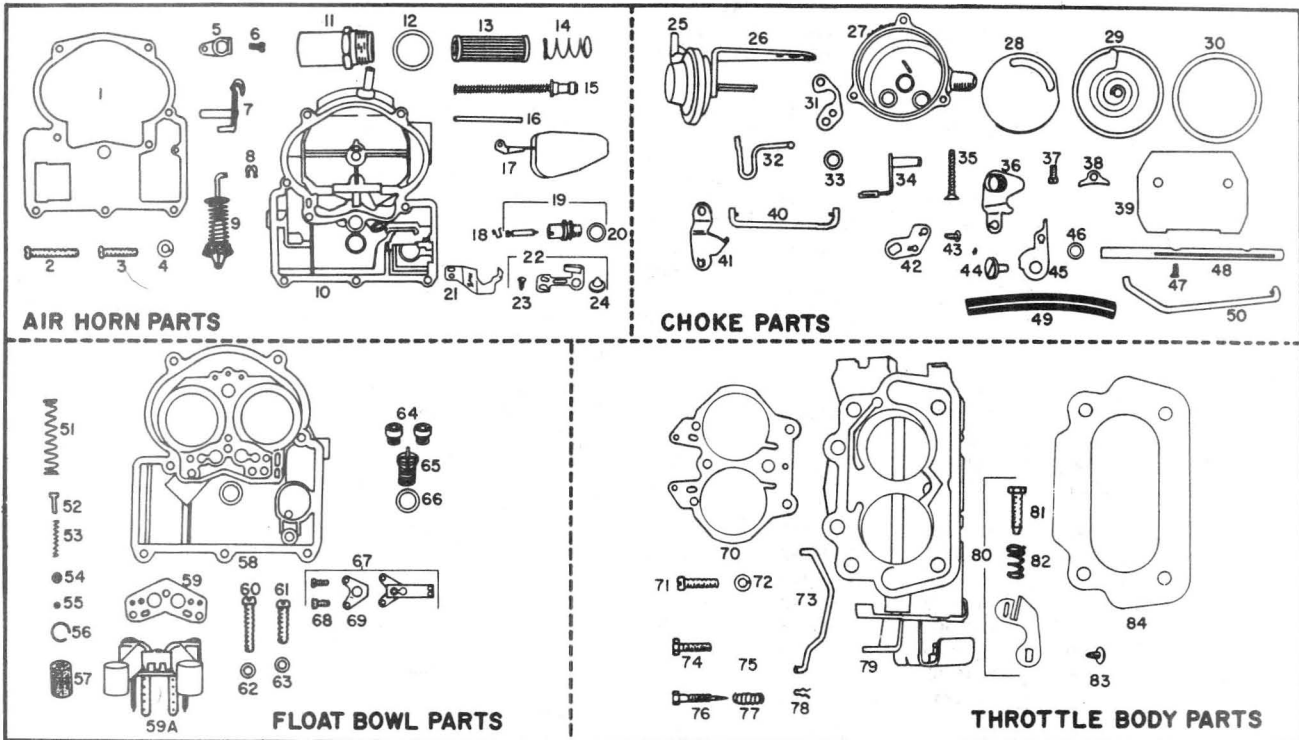
1968 ROCHESTER CARBURETOR MODEL 4MV

ALL 4BC

Mfrs. No.	350 CU. IN.		400/455 CU. IN.		400 CU. IN.		APPLICATION
	STANDARD	W-31 OPTION	STANDARD	W-30 OPTION	"442"		
	7028250	7028255	7028251	7028254	7028253		CARBURETOR No.
CHOKE PARTS							
14	7036435	7036435	7036435	7036435	7036435	7036435	Choke Shaft and Lever Kit
15	7029866	7029866	7029866	7029866	7029866	7029866	Screw - Choke Valve
16	7036435	7036435	7036435	7036435	7036435	7036435	Choke Valve Kit
17	7031925	7031925	7031925	7031925	7031925	7031925	Screw - Vacuum Break Control
18	7037355	7037355	7037355	7037355	7037355	7037355	Vacuum Break Control Bracket Assembly
19	7038758	7038758	7038758	7038758	7038758	7038758	Cam - Fast Idle
20	7032726	7032726	7032726	7032726	7032726	7032726	Clip - Choke Rod
21	7026339	7026339	7026339	7026339	7026339	7026339	Hose - Vacuum
22	7038167	7038167	7038167	7038167	7038167	7038167	Rod - Vacuum Break
23	836159	836159	836159	836159	836159	836159	Clip - Vacuum Break Rod
24	7033517	7033517	7033517	7033517	7033517	7033517	Rod - Choke
25	7031231	7031231	7031231	7031231	7031231	7031231	Lever - Intermediate Choke
26	7038238	7038238	7038238	7038238	7038238	7038238	Vacuum Break Control Assembly
FLOAT BOWL PARTS							
27	7036306	NLA	7036306	NLA	7036306	7036306	Float Bowl Assembly
28	7035031	7035031	7035031	7035031	7035031	7035031	Pump Assembly
29	7043600	7043600	7043600	7043600	7043600	7043600	Spring - Pump Return
30	7034454	7034454	7034454	7034454	7034454	7034454	Float Assembly
31	7029856	7029856	7029856	7029856	7029856	7029856	Hinge Pin - Float
32	7033751	7033751	7033751	7033751	7033751	7033751	Pull Clip - Float Needle
33	7035142	7035142	7035142	7035142	7035142	7035142	Needle and Seat Assembly
33A	7033747	7033747	7033747	7033747	7033747	7033747	Gasket - Needle Seat
34	7029862	7029862	7029862	7029862	7029862	7029862	Spring - Metering Rod - Primary
35	7020926	7020926	7020926	7020926	7020926	7020926	Screw - Cover Attaching
36	7035049	7035049	7035049	7035049	7035049	7035049	Cover - Idle Compensator
37	7035906	7035906	7035906	7035906	7035906	7035906	Idle Compensator Assembly
38	7027970	7027970	7027970	7027970	7027970	7027970	Gasket - Idle Compensator
39	7031365	7031365	7031365	7031365	7031365	7031365	Baffle Plate - Float Bowl
40	7034849	7034849	7034849	7034849	7034849	7034849	Metering Rod - Primary
41	7031971	7031971	7031971	7031971	7031971	7031971	Metering Jet - Primary
42	7034339	7034339	7034339	7034339	7034339	7034339	Retainer - Power Piston
43	7034903	7034903	7034903	7034903	7034903	7034903	Power Piston Assembly
44	7034361	7034361	7034361	7034361	7034361	7034361	Insert - Float Bowl
45	7029849	7029849	7029849	7029849	7029849	7029849	Retainer - Pump Discharge Ball
46	7002117	7002117	7002117	7002117	7002117	7002117	Ball - Pump Discharge
47	7036019	7029922	7037734	7011957	7037734	7037734	Spring - Power Piston
48	-	-	-	-	-	-	Screw - Diaphragm Retainer
49	-	-	-	-	-	-	Retainer - Float Needle Diaphragm
50	836159	836159	836159	836159	836159	836159	Clip - Pump Rod
51	-	-	-	-	-	-	Lockout Lever - Secondary
52	7040957	7040957	7040957	7040957	7040957	7040957	Filter Nut - Fuel Inlet
53	7032508	7032508	7032508	7032508	7032508	7032508	Gasket - Inlet Nut
54	-	-	-	-	-	-	Gasket - Filter
55	5650906	5650906	5650906	5650906	5650906	5650906	Filter - Fuel Inlet
56	7032732	7032732	7032732	7032732	7032732	7032732	Spring - Inlet Filter
57	7026138	7026138	7026138	7026138	7026138	7026138	Rod - Pump
58	7002121	7002121	7002121	7002121	7002121	7002121	Screw - Idle Stop
59	7003176	7003176	7003176	7003176	7003176	7003176	Spring - Idle Stop Screw
THROTTLE BODY PARTS							
60	7035523	7035523	7035523	7035523	7035523	7035523	Screw - Cam and Fast Idle Levers Attaching
61	7030677	7030677	7030677	7030677	7030677	7030677	Lever - Fast Idle
62	7029900	7029900	7029900	7029900	7029900	7029900	Spring - Fast Idle Screw
63	7044794	7044794	7044794	7044794	7044794	7044794	Screw - Fast Idle Adjusting
64	7043634	7043634	7043634	7043634	7043634	7043634	Lever - Cam Follower
65	N.L.A.	N.L.A.	N.L.A.	N.L.A.	N.L.A.	N.L.A.	Gasket - Throttle Body
66	7011479	7011479	7011479	7011479	7011479	7011479	Spring - Idle Needle
67	7042433	7042433	7042433	7042433	7042433	7042433	Needle - Idle Adjusting
68	7029891	7029891	7029891	7029891	7029891	7029891	Screw - Throttle Body
69	7035772	7035772	7035772	7035772	7035772	7035772	Spring - Cam Follower Lever
70	7036614	7036614	7036614	7036614	7036614	7036614	Throttle Body Assembly
71	NLA	NLA	NLA	NLA	NLA	NLA	Gasket - Flange

ACCESSORIES	
7028093	Manifold Stat Coil Assembly

1969 ROCHESTER CARBURETOR MODEL 2GC
350 CUBIC INCH ENGINE 2BC



PARTS SHOWN ARE FOR IDENTIFICATION ONLY. CONSULT PARTS LIST FOR CORRECT PART NAME AND NUMBER

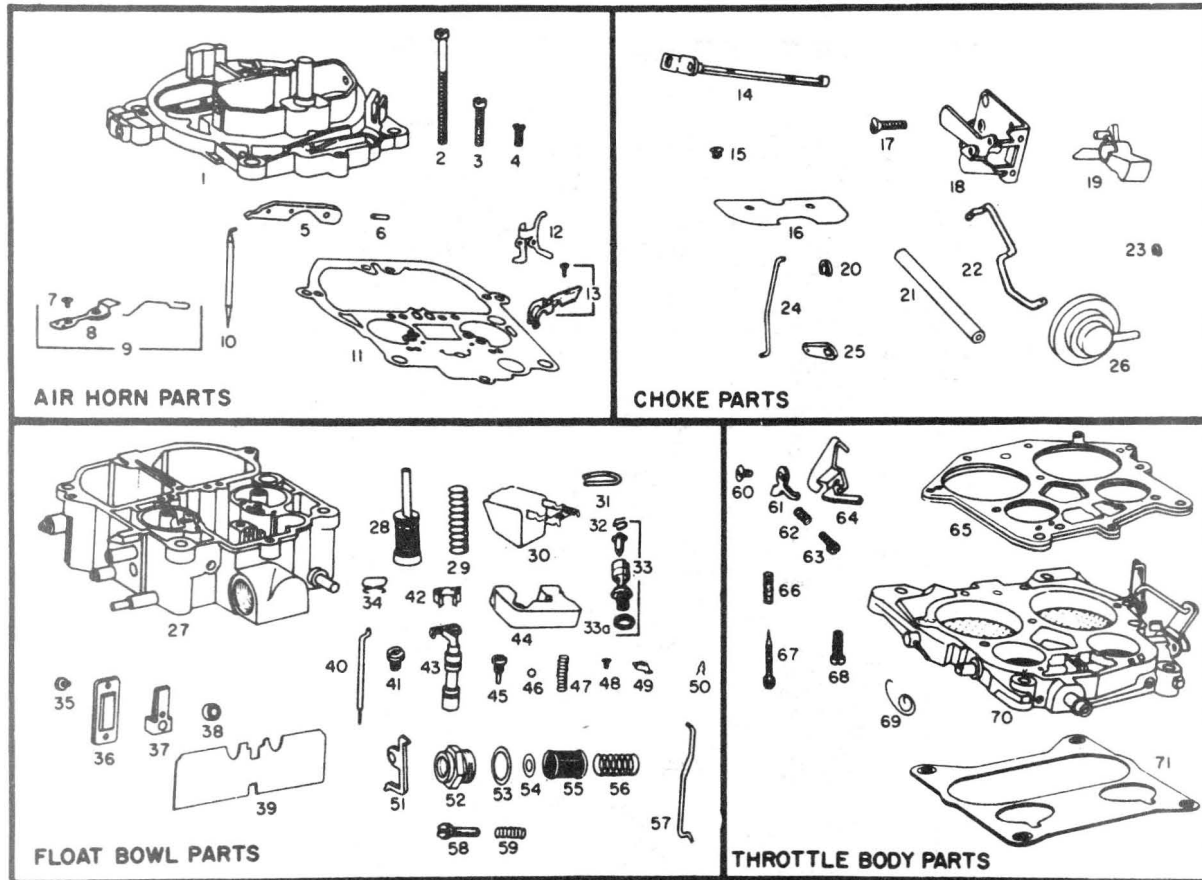
Illus. No.	MAN. TRANS.	AUTO. TRANS.	APPLICATION
		7029155	7029156
	7016956	7016956	REPLACEMENT PACKAGE NO.
	7036617	7036617	OVERHAUL KIT
	7039157	7039157	POWER CARBURETOR KIT (VITON)
	7039158	7039158	POWER CARBURETOR KIT (STEEL)
	7036611	7036611	GASKET SET
	NLA	NLA	ALTITUDE KIT
AIR HORN PARTS			
1	7035815	7035815	Gasket - Air Horn
2	7010432	7010432	Screw - Air Horn - Long
3	7006119	7006119	Screw - Air Horn - Short
4	726254	726254	Lockwasher - Air Horn Screw
5	7032377	7032377	Pump Lever - Inside
6	7011270	7011270	Screw - Pump Lever
7	7036764	7036764	Pump Shaft & Lever Assy.
8	7005032	7005032	Clip - Pump Lever
9	7037562	7037562	Pump Assembly
10	7035385	7035385	Air Horn Assembly
11	7040957	7040957	Filter Nut - Fuel Inlet
12	7032508	7032508	Gasket - Filter Nut
13	5650906	5650906	Filter - Fuel Inlet
14	7032732	7032732	Spring - Fuel Inlet Filter
15	7006011	7009718	Power Piston Assembly
16	7010037	7010037	Pin - Float Hinge
17	7035592	7035592	Float Assembly
18	7037806	7037806	Pull Clip - Float Needle
19	7035132	7035132	Needle & Seat Assy. (Viton)
19	7035386	7035386	Needle & Seat Assy. (Steel)
20	7033747	7033747	Gasket - Needle Seat
21	7012835	7012835	Shield - Idle Vent



**1969 ROCHESTER CARBURETOR MODEL 2GC
350 CUBIC INCH ENGINE 2BC**

	7029155	7029156	CARBURETOR No.
Illus. No.	AIR HORN PARTS (Continued)		
22	7012252	7012252	Idle Vent Valve Kit
23	7012548	7012548	Screw - Idle Vent Valve
24	7029993	7029993	Idle Vent Valve
	CHOKE PARTS		
25	7037906	7037906	Vacuum Break Control Assembly
26	7027641	7027641	Vacuum Break Control & Bracket Assy.
-	7037570	7037570	Screw-Bracket Attaching
27	7037226	7037226	Choke Housing
28	7037239	7037239	Baffle Plate
29	7036726	7036726	Stat Cover, Coil & Gasket Assy.
30	7002760	7002760	Gasket - Stat Cover
31	7037796	7037796	Gasket - Choke Housing
32	17050501	17050501	Link - Vacuum Break
33	7037569	7037569	Dust Seal - Inter. Choke Shaft
34	7037227	7037227	Intermediate Choke Shaft Assy.
35	7013704	7013704	Screw - Choke Housing
36	7037244	7037244	Cam Lever & Bushing Assembly
37	7011270	7011270	Screw - Stat Cover
38	7000614	7000614	Retainer - Stat Cover
39	7033443	7033443	Choke Valve
40	7037242	7037242	Intermediate Choke Rod
41	7037904	7037904	Intermediate Choke Lever
42	17050501	17050501	Choke Lever
43	7019709	7019709	Screw - Choke Levers
44	7003561	7003561	Screw - Cam Attaching
45	7037240	7037240	Cam - Fast Idle
46	7037569	7037569	Dust Seal - Choke Shaft
47	7007627	7007627	Screw - Choke Valve
48	17050501	17050501	Choke Shaft
49	7026339	7026339	Hose - Vacuum
50	7037241	7037241	Choke Rod
	FLOAT BOWL PARTS		
51	7043600	7043600	Spring - Pump Return
52	7000286	7000286	Guide - Pump Discharge
53	7002118	7002118	Spring - Pump Discharge
54	7002117	7002117	Ball - Pump Discharge
55	7002120	7002120	Ball - Pump Inlet Check
56	7034609	7034609	Retainer - Check Ball
57	7004557	7004557	Strainer - Pump Inlet
58	7035387	7035387	Float Bowl Assembly
59	7031507	7031507	Gasket - Venturi Cluster
59A	7031516	7031516	Venturi Cluster Assembly
60	7008502	7008502	Screw - Cluster - Outer
61	7009077	7009077	Screw - Cluster - Center
62	726254	726254	Lockwasher - Outer Screw
63	7008892	7008892	Gasket - Center Screw
64	7008660	7008662	Jet - Standard
65	7011989	7011989	Power Valve Assembly
66	7011990	7011990	Gasket - Power Valve
67	-	7035240	Idle Compensator Assembly
68	-	7015127	Screw - Idle Compensator
69	-	7013341	Gasket - Idle Compensator
	THROTTLE BODY PARTS		
70	7038185	7038185	Gasket-Throttle Body
71	7015105	7015105	Screw - Throttle Body
72	121744	121744	Lockwasher - Throttle Body
73	7036807	7036807	Pump Rod
74	7002121	7002121	Idle Stop Screw
75	7009728	7009728	Spring - Idle Stop Screw
76	7042433	7042433	Idle Needle
77	7011479	7011479	Spring - Idle Needle
78	1875293	1875293	Clip - Pump Rod
79	NLA	NLA	Throttle Body Assembly
80	7037222	7037222	Fast Idle Lever Assy.
81	7029427	7029427	Screw - Fast Idle
82	7029428	7029428	Spring - Fast Idle Screw
83	7010435	7010435	Screw - Lever Attaching
84	578912	578912	Flange Gasket

1969 ROCHESTER CARBURETOR MODEL 4MV
ALL 4BC



PARTS SHOWN ARE FOR IDENTIFICATION ONLY. CONSULT PARTS LIST FOR CORRECT PART NAME AND NUMBER

	350 CU. IN. STANDARD	400/455 CU. IN. STANDARD	400 CU. IN. W/O W-30 M/T	400 CU. IN. W-30 ALL	350 CU. IN. W-31M/T	APPLICATION
	7029250	7029251	7029253	7029254	7029255	CARBURETOR No.
	7016950	7016937	7016937	7016939	7016939	REPLACEMENT PACKAGE No.
	7036698	7036698	7036706	7036707	7036708	OVERHAUL KIT
	7039163	7039163	7039163	7039163	7039163	POWER CARBURETOR KIT
	7036699	7036699	7036699	7036699	7036699	GASKET SET
	7036731	NLA	NLA	NLA	7036675	ALTITUDE KIT

Illus No.	AIR HORN PARTS					
1	7037433	7037443	7037443	7037443	7037443	Air Horn Assembly
2	7029912	7029912	7029912	7029912	7029912	Screw - Air Horn
3	7014699	7014699	7014699	7014699	7014699	Screw - Air Horn
4	7031105	7031105	7031105	7031105	7031105	Screw - Air Horn
5	7048028	7048028	7048028	7048028	7048028	Lever - Pump Actuating
6	9428787	9428787	9428787	9428787	9428787	Roll Pin - Pump and Lockout Levers
7	—	—	—	—	—	Screw - Idle Vent Valve
8	—	—	—	—	—	Valve - Idle Vent
9	—	—	—	—	—	Idle Vent Valve Kit
10	7033658	7033655	7033655	7033655	7033655	Metering Rod -Secondary
11	7029087	7029087	7029087	7029087	7029087	Gasket - Air Horn
12	7037968	7037968	7037968	7037968	7037968	Lockout Lever - Air Valve
13	7034522	7034522	7034522	7034522	7034522	Secondary Metering Rod Holder Kit
—	7035344	7035344	7035344	7035344	7035344	Air Valve Spring and Cam Kit



1969 ROCHESTER CARBURETOR MODEL 4MV
ALL 4BC

	350 CU. IN. STANDARD	400/455 CU. IN. STANDARD	400 CU. IN. W/O, W-30 M/T	400 CU. IN. W-30 ALL	350 CU. IN. W-31 M/T	APPLICATION
	7029250	7029251	7029253	7029254	7029255	CARBURETOR No.
CHOKE PARTS						
14	7036435	7036435	7036435	7036435	7036435	Choke Shaft and Lever Kit
15	7029866	7029866	7029866	7029866	7029866	Screw - Choke Valve
16	7036435	7036435	7036435	7036435	7036435	Choke Valve Kit
17	7031925	7031925	7031925	7031925	7031925	Screw - Vacuum Break Control
18	7037970	7037970	7037970	7037970	7037970	Vacuum Break Control and Bracket Assembly
19	7038758	7038758	7038758	7038758	7038758	Cam - Fast Idle
20	7032726	7032726	7032726	7032726	7032726	Clip - Choke Rod
21	7026339	7026339	7026339	7026339	7026339	Hose - Vacuum
22	7038167	7038167	7038167	7038167	7038167	Rod - Vacuum Break
23	836159	836159	836159	836159	836159	Clip - Vacuum Break Rod
24	7033517	7033517	7033517	7033517	7033517	Rod - Choke
25	7031231	7031231	7031231	7031231	7031231	Lever - Intermediate Choke
26	7038238	7038238	7038238	7038238	7038238	Vacuum Break Control Assembly
FLOAT BOWL PARTS						
27	7036612	7036612	7036612	7036612	7036703	Float Bowl Assembly
28	7035031	7035031	7035031	7035031	7035031	Pump Assembly
29	7043600	7043600	7043600	7043600	7043600	Spring - Pump Return
30	7034454	7034454	7034454	7034454	7034454	Float Assembly
31	7029856	7029856	7029856	7029856	7029856	Hinge Pin - Float
32	7033751	7033751	7033751	7033751	7033751	Pull Clip - Float Needle
33	7035142	7035142	7035142	7035142	7035142	Needle and Seat Assembly
33A	7033747	7033747	7033747	7033747	7033747	Gasket - Needle Seat
34	7029862	7029862	7029862	7029862	7029862	Spring - Metering Rod - Primary
35	7020926	7020926	7020926	7020926	7020926	Screw - Cover Attaching
36	7035049	7035049	7035049	7035049	7035049	Cover - Idle Compensator
37	7035906	7035906	7035906	7035906	7035906	Idle Compensator Assembly
38	7027970	7027970	7027970	7027970	7027970	Gasket - Idle Compensator
39	7031365	7031365	7031365	7031365	7031365	Baffle Plate - Float Bowl
40	7034849	7034849	7034849	7034849	7034849	Metering Rod - Primary
41	7031970	7031970	7031972	7031975	7031974	Metering Jet - Primary
42	7034339	7034339	7034339	7034339	7034339	Retainer - Power Piston
43	7034903	7034903	7034903	7034903	7034903	Power Piston Assembly
44	7034361	7034361	7034361	7034361	7034361	Insert - Float Bowl
45	7029849	7029849	7029849	7029849	7029849	Retainer - Pump Discharge Ball
46	7002117	7002117	7002117	7002117	7002117	Ball - Pump Discharge
47	7036019	7037734	7037734	7011957	7029922	Spring - Power Piston
48	-	-	-	-	-	Screw - Diaphragm Retainer
49	-	-	-	-	-	Retainer - Float Needle Diaphragm
50	836159	836159	836159	836159	836159	Clip - Pump Rod
51	-	-	-	-	-	Lockout Lever - Secondary
52	7040957	7040957	7040957	7040957	7040957	Filter Nut - Fuel Inlet
53	7032508	7032508	7032508	7032508	7032508	Gasket - Inlet Nut
54	-	-	-	-	-	Gasket - Filter
55	5650906	5650906	5650906	5650906	5650906	Filter - Fuel Inlet
56	7032732	7032732	7032732	7032732	7032732	Spring - Inlet Filter
57	7026138	7026138	7026138	7026138	7026138	Rod - Pump
58	7002121	7002121	7002121	7002121	7002121	Screw - Idle Stop
59	7003176	7003176	7003176	7003176	7003176	Spring - Idle Stop Screw
THROTTLE BODY PARTS						
60	7035523	7035523	7035523	7035523	7035523	Screw - Cam and Fast Idle Levers Attaching
61	7030677	7030677	7030677	7030677	7030677	Lever - Fast Idle
62	7029900	7029900	7029900	7029900	7029900	Spring - Fast Idle Screw
63	7044794	7044794	7044794	7044794	7044794	Screw - Fast Idle Adjusting
64	7043634	7043634	7043634	7043634	7043634	Lever - Cam Follower
65	NLA	NLA	NLA	NLA	NLA	Gasket - Throttle Body
66	7011479	7011479	7011479	7011479	7011479	Spring - Idle Needle
67	7042433	7042433	7042433	7042433	7042433	Needle - Idle Adjusting
68	7035790	7035790	7035790	7035790	7035790	Screw - Throttle Body
69	7035772	7035772	7035772	7035772	7035772	Spring - Cam Follower Lever
70	NLA	NLA	7036704	7036720	NLA	Throttle Body Assembly
71	412501	412501	412501	412501	412501	Gasket - Flange

ACCESSORIES

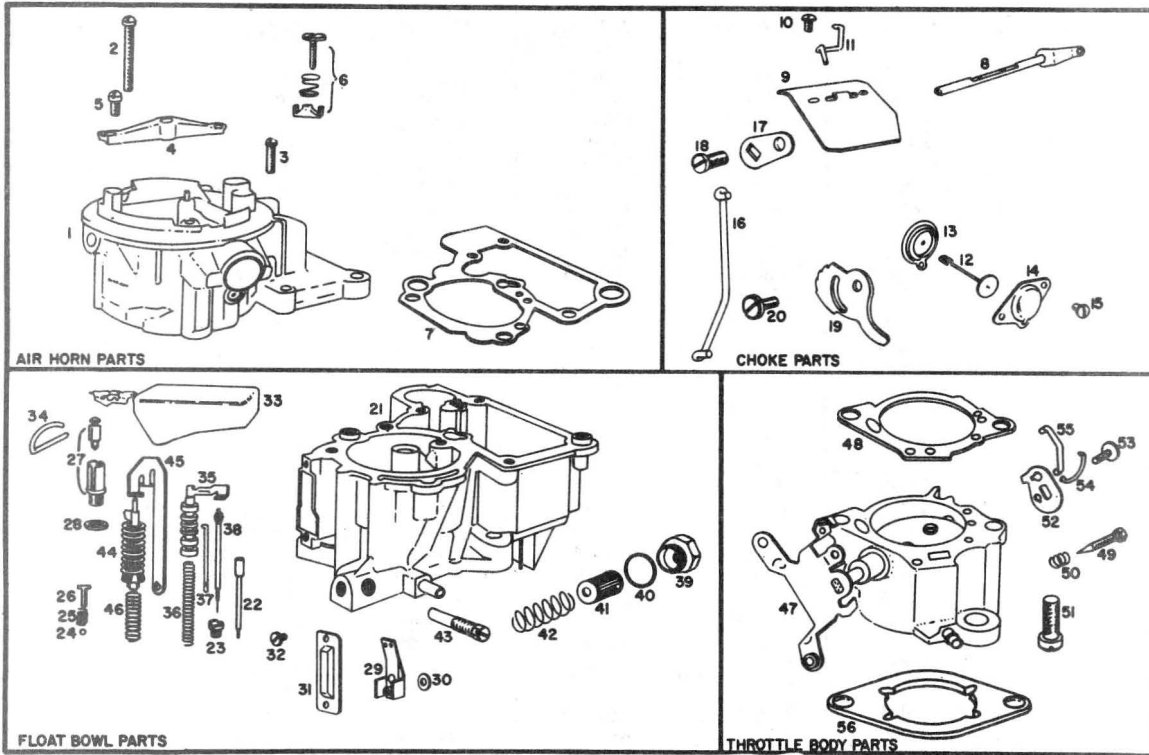
7029093

Manifold Stat Coil Assembly (Standard)

250 ENGINE

1970 ROCHESTER CARBURETOR MODEL MV

1970 ACADIAN, BUICK SPECIAL, CHEVELLE, CHEVROLET, CHEVY II,
OLDSMOBILE F-85, PONTIAC 750-760



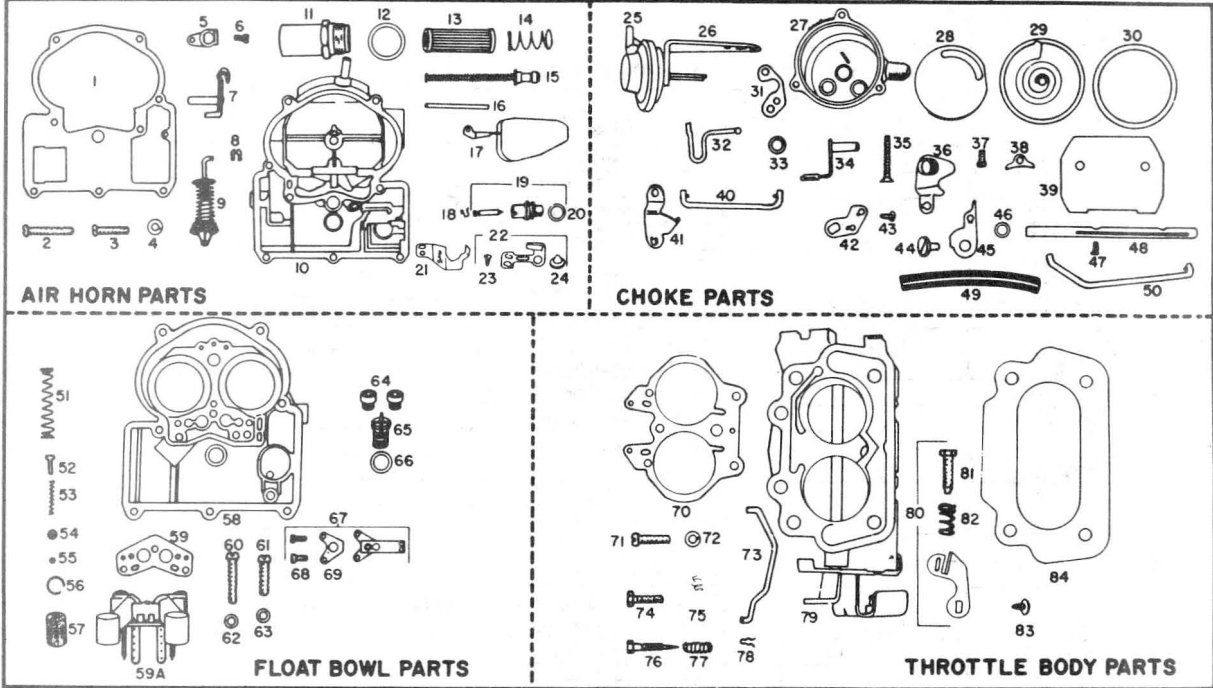
PARTS SHOWN ARE FOR IDENTIFICATION ONLY. CONSULT PARTS LIST FOR CORRECT PART NAME AND NUMBER

	AUTOMATIC TRANSMISSION	MANUAL TRANSMISSION	APPLICATION
	7040014	7040017	CARBURETOR No.
	17054226	7047015	REPLACEMENT PACKAGE No.
	7036782	7036783	OVERHAUL KIT
	7039166	7039166	POWER CARBURETOR KIT
	7036784	7036784	GASKET SET
Illus. No.	AIR HORN PARTS		
1	7038554	7038556	Air Horn Assembly
2	7038912	7038912	Screw - Air Horn (Long)
3	7014698	7014698	Screw - Air Horn (Short)
4	7037774	7037774	Bracket - Air Cleaner Stud
5	7038913	7038913	Screw - Bracket Attaching
6	-	-	Idle Vent Valve Kit
7	7037591	7037591	Gasket - Air Horn
	CHOKE PARTS		
8	7034056	7034056	Choke Shaft and Lever Kit
9	7034012	7034012	Choke Valve
10	7020926	7020926	Screw - Choke Valve
11	7034013	7034013	Connector - Vacuum Break Link
12	7040606	7040646	Vacuum Break Link Assembly
13	7034017	7034017	Diaphragm - Vacuum Break
14	7034018	7034018	Cover - Vacuum Break
15	7020926	7020926	Screw - Cover
16	7037000	7037000	Choke Rod
17	-	-	Choke Lever
18	7019709	7019709	Screw - Choke Lever
19	7040633	7038956	Cam - Fast Idle
20	7003561	7003561	Screw - Cam Attaching



	AUTOMATIC TRANSMISSION 7040014	MANUAL TRANSMISSION 7040017	APPLICATION CARBURETOR No.
Illus. No.	FLOAT BOWL PARTS		
21	7041348	7041348	Float Bowl Assembly
22	7033945	7033946	Idle Tube Assembly
23	7034203	7034203	Jet – Man Metering (Standard)
23	7034201	7034201	Jet – Man Metering (Altitude)
24	7002117	7002117	Ball – Pump Discharge
25	7002118	7002118	Spring – Pump Discharge
26	7003838	7003838	Guide – Pump Discharge
27	7035133	7035133	Needle and Seat Assembly
28	KIT ONLY	KIT ONLY	Gasket – Needle Seat
29	7035870	–	Idle Compensator Assembly
30	KIT ONLY	–	Gasket – Idle Compensator
31	7035670	–	Cover – Idle Compensator
32	7034030	–	Screw – Cover
33	7037022	7037022	Float Assembly
34	7034032	7034032	Hinge Pin – Float
35	7037780	7037780	Power Piston Assembly
36	7012515	7012515	Spring – Power Piston
37	7035297	7035297	Rod – Power Piston
38	7042534	7040630	Metering Rod & Spring Assembly
39	7038946	7038946	Filter Nut – Fuel Inlet
40	7032508	7032508	Gasket – Filter Nut
41	5651393	5651393	Filter – Fuel Inlet
42	7031539	7031529	Spring – Fuel Filter
43	7034034	7034034	Screw – Slow Idle
44	7037597	7037597	Pump Assembly
45	7042670	7042670	Lever – Pump Actuating
46	7008694	7008694	Spring – Pump Return
	THROTTLE BODY PARTS		
47	7040631	7040696	Throttle Body Assembly
48	KIT ONLY	KIT ONLY	Gasket – Throttle Body
49	7048860	7042433	Idle Needle
50	7011479	7011479	Spring – Idle Needle
51	7038875	7038875	Screw – Throttle Body
52	7038049	7038049	Lever – Pump and Power Rods
53	7010435	7010435	Screw – Lever Attaching
54	7035502	7035502	Link – Power Piston Rod
55	7037855	7037855	Link – Pump Lever
56	3953732	3953732	Gasket – Flange (Non California)
–	3967065	3967065	Gasket – Flange (California)
–	3967076	3967076	Insulator – Flange (California)

350 & 455 ENGINES WITH 2BC
1970 ROCHESTER CARBURETOR MODEL 2GC
1970 OLDSMOBILE & OLDSMOBILE F-85



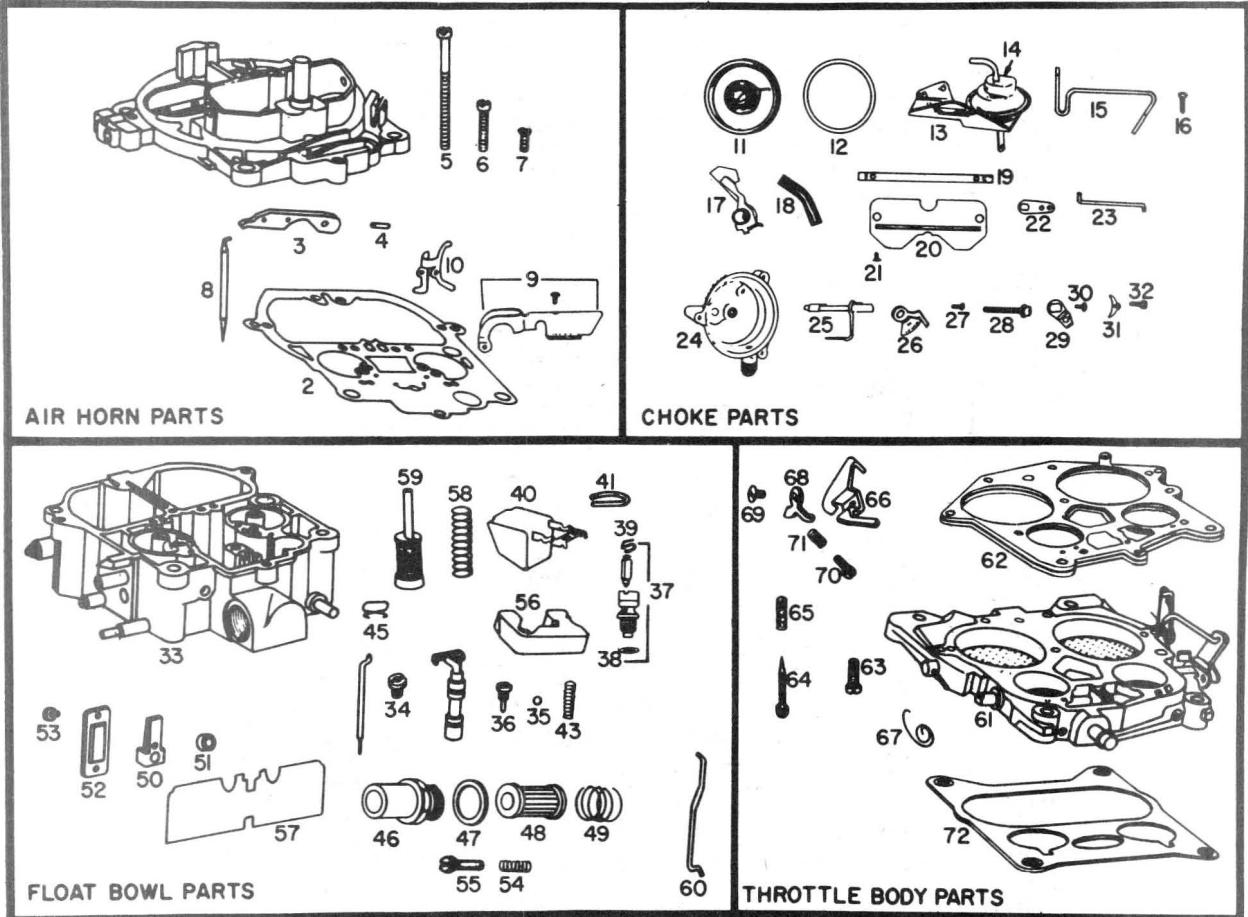
PARTS SHOWN ARE FOR IDENTIFICATION ONLY. CONSULT PARTS LIST FOR CORRECT PART NAME AND NUMBER

Illus. No.	MAN. TRANS.	AUTO. TRANS.	455 MAN. TRANS.	455 AUTO. TRANS.	APPLICATION
		7040155	7040156	7040159	7040154
	17054633	17054633	17054633	7041346	REPLACEMENT PACKAGE No.
	7041710	7041710	7041710	7041710	OVERHAUL KIT
	NLA	NLA	NLA	NLA	POWER CARBURETOR KIT (VITON)
	7039206	7039206	7039206	7039206	POWER CARBURETOR KIT (STEEL)
	7041711	7041711	7041711	7041711	GASKET SET
	AIR HORN PARTS				
1	7042766	7042766	7042766	7042766	Gasket - Air Horn
2	7010432	7010432	7010432	7010432	Screw - Air Horn - Long
3	7006119	7006119	7006119	7006119	Screw - Air Horn - Short
4	726254	726254	726254	726254	Lockwasher - Air Horn Screw
5	**7036764	**7036764	**7036764	**7036764	Pump Lever - Inside
6	7011270	7011270	7011270	7011270	Screw - Pump Lever
7	**7036764	**7036764	**7036764	**7036764	Pump Shaft & Lever Assy.
-	7019568	7019568	7019568	7019568	Washer - Pump Shaft
8	7005032	7005032	7005032	7005032	Clip - Pump Lever
9	7037562	7037562	7037562	7037562	Pump Assembly
10	7036854	7036854	7036854	7036854	Air Horn Assembly
11	7040957	7040957	7040957	7040957	Filter Nut - Fuel Inlet
12	7032508	7032508	7032508	7032508	Gasket - Filter Nut
13	5650906	5650906	5650906	5650906	Filter - Fuel Inlet
14	7032732	7032732	7032732	7032732	Spring - Fuel Inlet Filter
15	7006011	7006011	7006011	7006011	Power Piston Assembly
16	7010037	7010037	7010037	7010037	Pin - Float Hinge
17	7035592	7035592	7035592	7035592	Float Assembly
18	7037806	7037806	7037806	7037806	Pull Clip - Float Needle
19	7035132	7035132	7035132	7035132	Needle & Seat Assy. (Viton)
19	7035386	7035386	7035386	7035386	Needle & Seat Assy. (Steel)
20	KIT ONLY	KIT ONLY	KIT ONLY	KIT ONLY	Gasket - Needle Seat
21	7012835	7012835	7012835	7012835	Shield - Idle Vent

** Pump Shaft & Lever Kit

	7040155	7040156	7040159	7040154	CARBURETOR No.
	AIR HORN PARTS (Continued)				
Illus. No.					
22	7012252	7012252	7012252	7012252	Idle Vent Valve Kit
23	7012548	7012548	7012548	7012548	Screw - Idle Vent Valve
24	7029993	7029993	7029993	7029993	Idle Vent Valve
	CHOKE PARTS				
25	-	-	-	-	Vacuum Break Control Assembly
26	7026125	7026125	7026125	7026125	Vacuum Break Control & Bracket Assy.
-	7037570	7037570	7037570	7037570	Screw - Control Attaching
27	7038883	7038883	7038883	7038883	Choke Housing
28	7037239	7037239	7037239	7037239	Baffle Plate
29	7036857	7036857	7036857	7036857	Stat Cover, Coil & Gasket Assy.
30	7002760	7002760	7002760	7002760	Gasket - Stat Cover
31	KIT ONLY	KIT ONLY	KIT ONLY	KIT ONLY	Gasket - Choke Housing
32	17050502	17050502	17050502	17050502	Link - Vacuum Break
33	KIT ONLY	KIT ONLY	KIT ONLY	KIT ONLY	Dust Seal - Inter. Choke Shaft & Choke Shaft
34	7037227	7037227	7037227	7037227	Intermediate Choke Shaft Assy.
35	7013704	7013704	7013704	7013704	Screw - Choke Housing
36	7038978	7038978	7038978	7038978	Cam Lever & Bushing Assembly
37	7011270	7011270	7011270	7011270	Screw - Stat Cover
38	7000614	7000614	7000614	7000614	Retainer - Stat Cover
39	7033443	7033443	7033443	7033443	Choke Valve
40	7038981	7038981	7038981	7038981	Intermediate Choke Rod
41	7037904	7037904	7037904	7037904	Intermediate Choke Lever
42	17050502	17050502	17050502	17050502	Choke Lever
43	7019709	7019709	7019709	7019709	Screw - Choke Levers
44	7003561	7003561	7003561	7003561	Screw - Cam Attaching
45	7038982	7038982	7038982	7038982	Cam - Fast Idle
46	7038660	7038660	7038660	7038660	Washer - Cam
47	7007627	7007627	7007627	7007627	Screw - Choke Valve
48	17050502	17050502	17050502	17050502	Choke Shaft
49	7026339	7026339	7026339	7026339	Hose - Vacuum
50	7037241	7037241	7037241	7037241	Choke Rod
	FLOAT BOWL PARTS				
51	7043600	7043600	7043600	7043600	Spring - Pump Return
52	7000286	7000286	7000286	7000286	Guide - Pump Discharge
53	7002118	7002118	7002118	7002118	Spring - Pump Discharge
54	7002117	7002117	7002117	7002117	Ball - Pump Discharge
55	7002120	7002120	7002120	7002120	Ball - Pump Inlet Check
56	7034609	7034609	7034609	7034609	Retainer - Check Ball
57	7004557	7004557	7004557	7004557	Strainer - Pump Inlet
58	7041330	7041330	7041330	7041330	Float Bowl Assembly
59	KIT ONLY	KIT ONLY	KIT ONLY	KIT ONLY	Gasket - Venturi Cluster
59A	7042306	7040603	7040603	7042327	Venturi Cluster Assembly
60	7008502	7008502	7008502	7008502	Screw - Cluster - Outer
61	7009077	7009077	7009077	7009077	Screw - Cluster - Center
62	726254	726254	726254	726254	Lockwasher - Outer Screw
63	KIT ONLY	KIT ONLY	KIT ONLY	KIT ONLY	Gasket - Center Screw
64	7002656	7002654	7002654	7002658	Jet - Standard
65	7011989	7011989	7011989	7011989	Power Valve Assembly
66	KIT ONLY	KIT ONLY	KIT ONLY	KIT ONLY	Gasket - Power Valve
67	7038974	7038974	7038974	7038974	Idle Compensator Assembly
68	7015127	7015127	7015127	7015127	Screw - Idle Compensator
69	KIT ONLY	KIT ONLY	KIT ONLY	KIT ONLY	Gasket - Idle Compensator
	THROTTLE BODY PARTS				
70	KIT ONLY	KIT ONLY	KIT ONLY	KIT ONLY	Spacer - Throttle Body
71	7015105	7015105	7015105	7015105	Screw - Throttle Body
72	121744	121744	121744	121744	Lockwasher - Throttle Body
73	7036807	7036807	7036807	7036807	Pump Rod
74	7002121	7002121	7002121	7002121	Idle Stop Screw
75	7009728	7009728	7009728	7009728	Spring - Idle Stop Screw
76	7042433	7042433	7042433	7042433	Idle Needle
77	7011479	7011479	7011479	7011479	Spring - Idle Needle
78	7018186	7018186	7018186	7018186	Clip - Pump Rod
79	7036856	7036856	7036856	7036856	Throttle Body Assembly
80	7037222	7037222	7037222	7037222	Fast Idle Lever Assy.
81	7029427	7029427	7029427	7029427	Screw - Fast Idle
82	7029428	7029428	7029428	7029428	Spring - Fast Idle Screw
83	7010435	7010435	7010435	7010435	Screw - Lever Attaching
84	578912	578912	578912	578912	Flange Gasket

350 & 455 ENGINE WITH 4BC
1970 ROCHESTER CARBURETOR MODEL 4MC
1970 OLDSMOBILE & OLDSMOBILE F-85



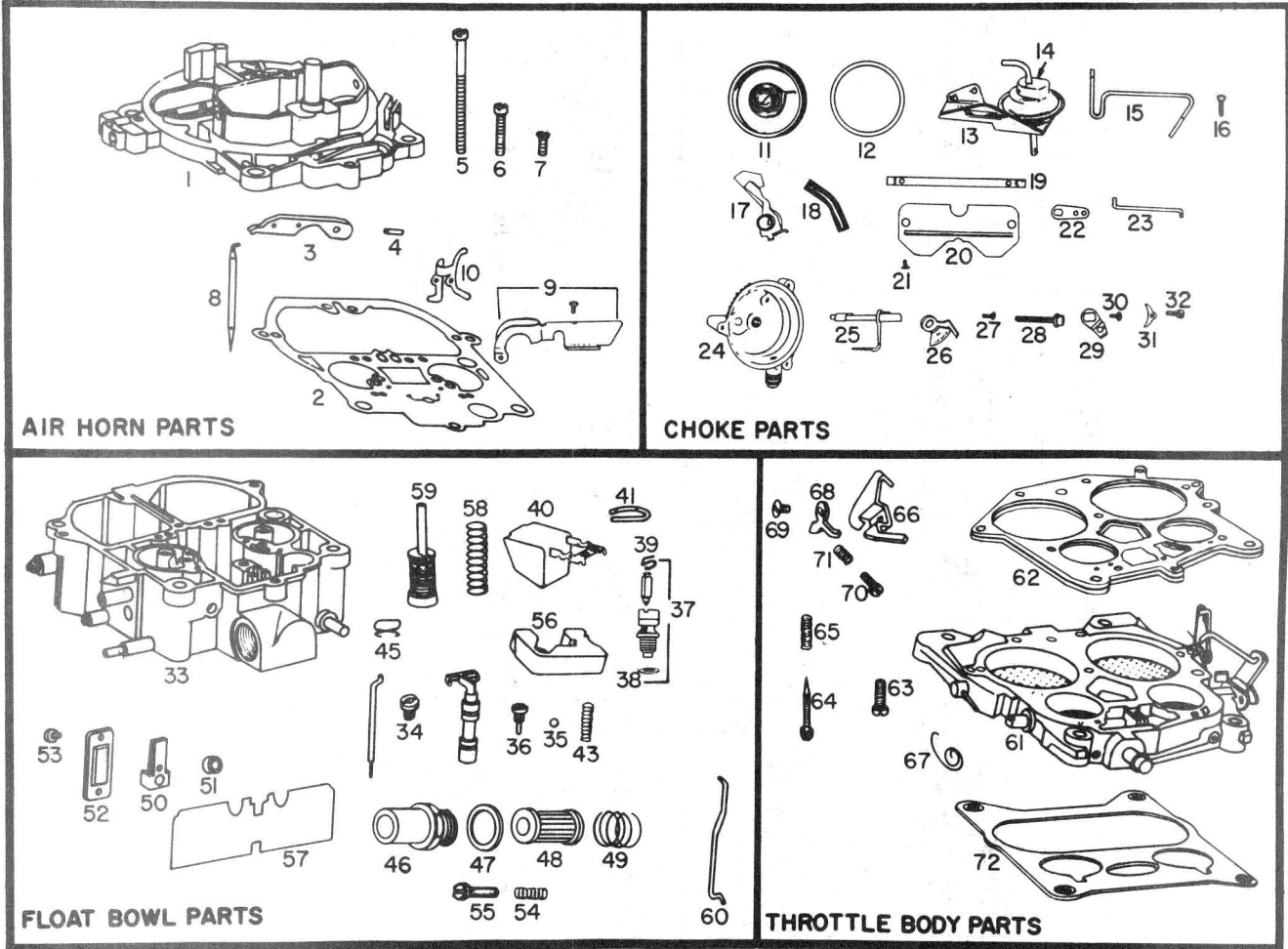
PARTS SHOWN ARE FOR IDENTIFICATION ONLY. CONSULT PARTS LIST FOR CORRECT PART NAME AND NUMBER

	350 CU. IN.	455 CU. IN.	APPLICATION
	7040250	7040251	CARBURETOR No.
	7047050	7047051	REPLACEMENT PACKAGE No.
	7036947	NLA	OVERHAUL KIT
	7039181	7039181	POWER CARBURETOR KIT
	7036885	7036885	GASKET SET
AIR HORN PARTS			
Illus. No.	7038164	7038164	Air Horn Assembly
1	7029087	7029087	Gasket - Air Horn
2	7048028	7048028	Lever - Pump Actuating
3	9428787	9428787	Roll Pin - Pump & Lockout Lever Hinge
4	7029912	7029912	Screw - Air Horn
5	7014699	7014699	Screw - Air Horn
6	7031105	7031105	Screw - Air Horn
7	7033658	7033655	Metering Rod - Secondary
8	7034522	7034522	Sec. Metering Rod Holder Kit
9	7037968	7037968	Lever - Air Valve Lockout
10	7035344	7035344	Air Valve Spring & Cam Kit
-			
CHOKE PARTS			
11	7036948	7036881	Stat Cover, Coil & Gasket Assy.
12	7002760	7002760	Gasket - Stat Cover
13	NLA	NLA	Vacuum Break Control & Brkt. Assy.
14	7043732	7043732	Vacuum Break Control Assy.
15	7038305	7038305	Rod - Vacuum



	7040250	7040251	CARBURETOR No.
			CHOKE PARTS (Continued)
16	7038581	7038581	Screw - Control Attaching
17	17051019	17051019	Cam - Fast Idle
18	7026339	7026339	Hose - Vacuum
19	7038259	7038259	Choke Shaft
20	7038669	7038669	Choke Valve
21	7029866	7029866	Screw - Choke Valve
22	7031231	7031231	Lever - Intermediate Choke
23	7038269	7038269	Rod - Choke
24	7036963	7036880	Choke Housing Assembly
25	7038282	7038282	Inter. Choke Shaft & Lever Assy.
-	KIT ONLY	KIT ONLY	Seal - Inter. Choke Shaft
-	KIT ONLY	KIT ONLY	Seal - Choke Hsg. to Bowl
26	7038285	7038285	Lever - Stat Coil
27	7019709	7019709	Screw - Coil Lever
28	7038808	7038808	Screw - Choke Hsg. to Bowl
29	7038301	7038301	Lever - Choke
30	7029866	7029866	Screw - Choke Lever
31	7000614	7000614	Retainer - Stat Cover
32	7011270	7011270	Screw - Stat Cover
			FLOAT BOWL PARTS
33	7036879	7036879	Float Bowl Assembly
34	7031970	7031970	Jet - Primary
35	7002117	7002117	Ball - Pump Discharge
36	7029849	7029849	Retainer - Pump Discharge Ball
37	7035142	7035142	Needle & Seat Assy.
38	KIT ONLY	KIT ONLY	Gasket - Needle Seat
39	7033751	7033751	Pull Clip - Float Needle
40	7034454	7034454	Float Assembly
41	7029856	7029856	Hinge Pin - Float Assembly
42	7034903	7034903	Power Piston Assembly
43	7037734	7037734	Spring - Power Piston
44	7040701	7034849	Metering Rod - Primary
45	7029862	7029862	Spring - Metering Rod - Primary
46	7040957	7040957	Filter Nut - Fuel Inlet
47	KIT ONLY	KIT ONLY	Gasket - Filter Nut
48	5650906	5650906	Filter - Fuel Inlet
49	7032732	7032732	Spring Fuel Filter
50	7035906	7035906	Idle Compensator Assembly
51	KIT ONLY	KIT ONLY	Gasket - Idle Compensator
52	7035049	7035049	Cover - Idle Compensator
53	7020926	7020926	Screw - Cover Attaching
54	7003176	7003176	Spring - Idle Stop Screw
55	7002121	7002121	Screw - Idle Stop
56	7034361	7034361	Insert - Float Bowl
57	7031365	7031365	Baffle - Float Bowl
58	7043600	7043600	Spring - Pump Return
59	7035031	7035031	Pump Assembly
60	7026138	7026138	Rod Assembly
			THROTTLE BODY PARTS
61	7036882	7036882	Throttle Body Assembly
62	KIT ONLY	KIT ONLY	Gasket - Throttle Body
63	7035790	7035790	Screw - Throttle Body
64	7042433	7042433	Idle Needle
65	7011479	7011479	Spring - Idle Needle
66	7038298	7038298	Lever - Cam Follower
67	7035772	7035772	Spring - Cam Lever
68	7035998	7035998	Fast Idle Lever
69	7035523	7035523	Screw - Fast Idle Lever
70	7044794	7044794	Screw - Fast Idle Adjusting
71	7029900	7029900	Spring - Fast Idle Screw
72	412501	412501	Gasket - Flange

350 & 455 ENGINES WITH 4BC
 1970 ROCHESTER CARBURETOR MODEL 4MC
 1970 OLDSMOBILE F-85



PARTS SHOWN ARE FOR IDENTIFICATION ONLY. CONSULT PARTS LIST FOR CORRECT PART NAME AND NUMBER

	350 CU. IN.	455 CU. IN.	APPLICATION
	7040255	7040253	CARBURETOR No.
	7041326	7036931	REPLACEMENT PACKAGE No.
	7036928	7036929	OVERHAUL KIT
	7039181	7039181	POWER CARBURETOR KIT
	7036885	7036885	GASKET SET
Illus. No.	AIR HORN PARTS		
1	7040850	7038164	Air Horn Assembly
2	7029087	7029087	Gasket - Air Horn
3	7048028	7048028	Lever - Pump Actuating
4	9428787	9428787	Roll Pin - Pump & Lockout Lever Hinge
5	7029912	7029912	Screw - Air Horn
6	7014699	7014699	Screw - Air Horn
7	7031105	7031105	Screw - Air Horn
8	7033655	7033655	Metering Rod - Secondary
9	7034522	7034522	Secondary Metering Rod Holder Kit
10	7037968	7037968	Lever - Air Valve Lockout
-	7035344	7035344	Air Valve Spring & Cam Kit
	CHOKE PARTS		
11	7036948	7036948	Stat Cover, Coil & Gasket Assembly
12	7002760	7002760	Gasket - Stat Cover
13	7026162	NLA	Vacuum Break Control & Bracket Assembly
14	7040697	7043732	Vacuum Break Control Assembly
15	7038305	7038305	Rod - Vacuum

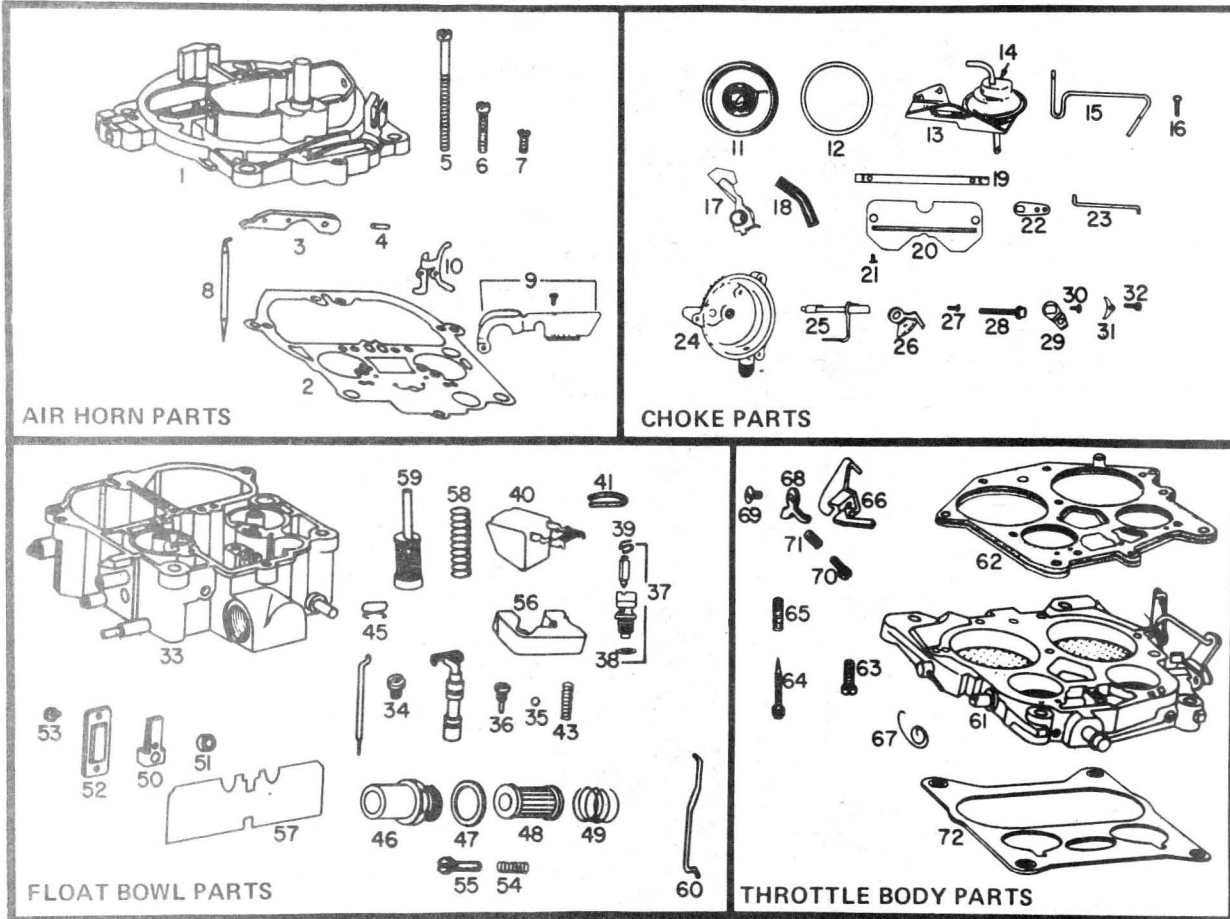
	7040255	7040253	CARBURETOR No.
	CHOKE PARTS (Continued)		
16	7038581	7038581	Screw - Control Attaching
17	17051019	17051019	Cam - Fast Idle
18	7026339	7026339	Hose - Vacuum
19	7038259	7038259	Choke Shaft
20	7038669	7038669	Choke Valve
21	7029866	7029866	Screw - Choke Valve
22	7031231	7031231	Lever - Intermediate Choke
23	7038269	7038269	Rod - Choke
24	7036963	7036963	Choke Housing Assembly
25	7038282	7038282	Intermediate Choke Shaft & Lever Assembly
-	KIT ONLY	KIT ONLY	Seal - Intermediate Choke Shaft
-	KIT ONLY	KIT ONLY	Seal - Choke Housing to Bowl
26	7038285	7038285	Lever - Stat Coil
27	7019709	7019709	Screw - Coil Lever
28	7038808	7038808	Screw - Choke Housing to Bowl
29	7038301	7038301	Lever - Choke
30	7029866	7029866	Screw - Choke Lever
31	7000614	7000614	Retainer - Stat Cover
32	7011270	7011270	Screw - Stat Cover
	FLOAT BOWL PARTS		
33	7036926	7041332	Float Bowl Assembly
34	7002658	7031969	Jet - Primary (See Note)
35	7002117	7002117	Ball - Pump Discharge
36	7029849	7029849	Retainer - Pump Discharge Ball
37	7035142	7035142	Needle & Seat Assembly
38	KIT ONLY	KIT ONLY	Gasket - Needle Seat
39	7033751	7033751	Pull Clip - Float Needle
40	7034454	7034454	Float Assembly
41	7029856	7029856	Hinge Pin - Float Assembly
42	-	7034903	Power Piston Assembly
43	-	7037734	Spring - Power Piston
44	-	7040699	Metering Rod - Primary
45	-	7029862	Spring - Metering Rod - Primary
46	7040957	7040957	Filter Nut - Fuel Inlet
47	KIT ONLY	KIT ONLY	Gasket - Filter Nut
48	5650906	5650906	Filter - Fuel Inlet
49	7032732	7032732	Spring Fuel Filter
50	7035906	7035906	Idle Compensator Assembly
51	KIT ONLY	KIT ONLY	Gasket - Idle Compensator
52	7035049	7035049	Cover - Idle Compensator
53	7020926	7020926	Screw - Cover Attaching
54	7003176	7003176	Spring - Idle Stop Screw
55	7002121	7002121	Screw - Idle Stop
56	7034361	7034361	Insert - Float Bowl
57	7031365	7031365	Baffle - Float Bowl
58	7043600	7043600	Spring - Pump Return
59	7035031	7035031	Pump Assembly
60	7026138	7026138	Rod
	THROTTLE BODY PARTS		
61	7038293	7036927	Throttle Body Assembly
62	KIT ONLY	KIT ONLY	Gasket - Throttle Body
63	7035790	7035790	Screw - Throttle Body
64	7042433	7042433	Idle Needle
65	7011479	7011479	Spring - Idle Needle
66	7038298	7038298	Lever - Cam Follower
67	7035772	7035772	Spring - Cam Lever
68	7035998	7035998	Fast Idle Lever
69	7035523	7035523	Screw - Fast Idle Lever
70	7044794	7044794	Screw - Fast Idle Adjusting
71	7029900	7029900	Spring - Fast Idle Screw
72	412501	412501	*Gasket - Flange

Note: 7002657 Jet NOT Included In Overhaul Kit.

455 ENGINE WITH 4BC

1970 ROCHESTER CARBURETOR MODEL 4MC

1970 OLDSMOBILE & OLDSMOBILE F-85



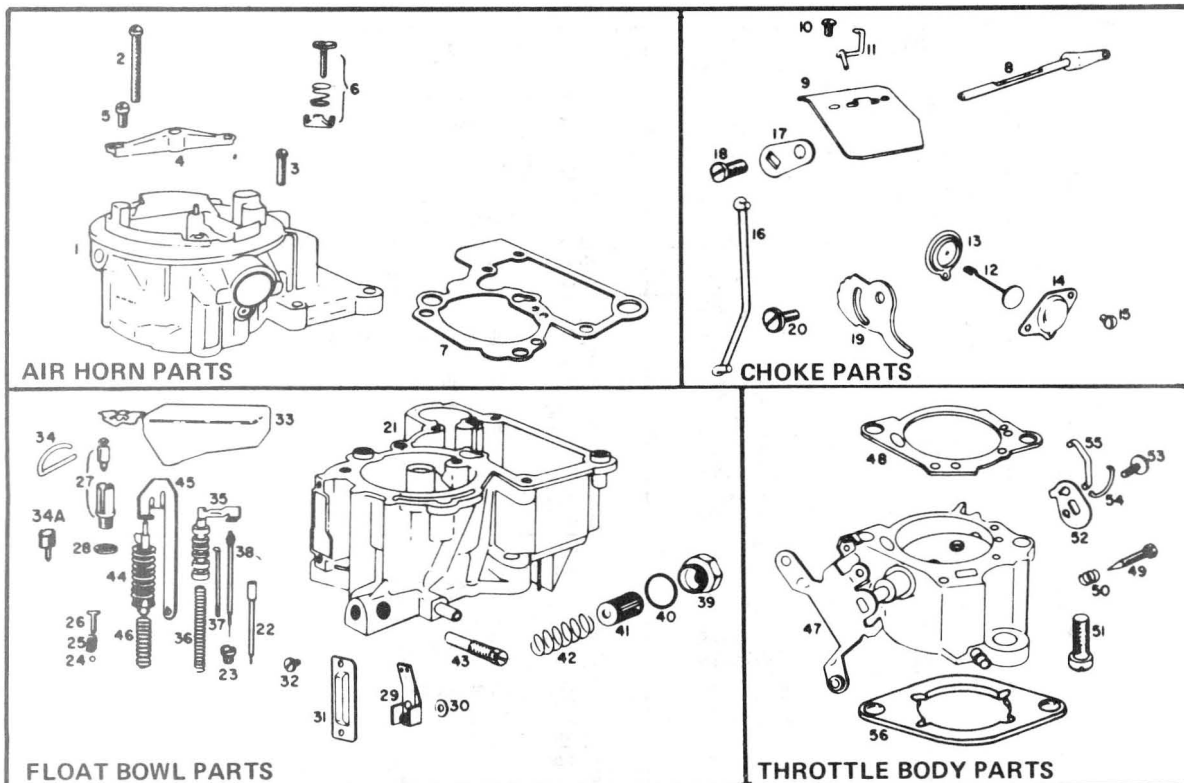
PARTS SHOWN ARE FOR IDENTIFICATION ONLY. CONSULT PARTS LIST FOR CORRECT PART NAME AND NUMBER

	MAN. TRANS. W-30	AUTO. TRANS. W-30	APPLICATION
	7040256	7040258	CARBURETOR No.
	7041326	N.L.A.	REPLACEMENT PACKAGE No.
	7036928	7036947	OVERHAUL KIT
	7039181	7039181	POWER CARBURETOR KIT
	7036885	7036885	GASKET SET
	AIR HORN PARTS		
Illus. No.	7040850	7042321	Air Horn Assembly
2	7029087	7029087	Gasket - Air Horn
3	7048028	7048028	Lever - Pump Actuating
4	9428787	9428787	Roll Pin - Pump & Lockout Lever Hinge
5	7029912	7029912	Screw - Air Horn
6	7014699	7014699	Screw - Air Horn
7	7031105	7031105	Screw - Air Horn
8	7033655	7033655	Metering Rod - Secondary
9	7034522	7034522	Secondary Metering Rod Holder Kit
10	7037968	7037968	Lever - Air Valve Lockout
-	7035344	7035344	Air Valve Spring & Cam Kit
	CHOKE PARTS		
11	7036948	7036881	Stat Cover, Coil & Gasket Assembly
12	7002760	7002760	Gasket - Stat Cover
13	7026162	N.L.A.	Vacuum Break Control & Bracket Assembly
14	7040697	7043732	Vacuum Break Control Assembly
15	7038305	7038305	Rod - Vacuum

	7040256	7040258	CARBURETOR No.
	CHOKE PARTS (Continued)		
16	7038581	7038581	Screw – Control Attaching
17	17051019	17051019	Cam – Fast Idle
18	7026339	7026339	Hose – Vacuum
19	7038259	7038259	Choke Shaft
20	7038669	7038669	Choke Valve
21	7029866	7029866	Screw – Choke Valve
22	7031231	7031231	Lever – Intermediate Choke
23	7038269	7038269	Rod – Choke
24	7036963	7036880	Choke Housing Assembly
25	7038282	7038282	Intermediate Choke Shaft & Lever Assy.
–	KIT ONLY	KIT ONLY	Seal – Intermediate Choke Shaft
–	KIT ONLY	KIT ONLY	Seal – Choke Housing to Bowl
26	7038285	7038285	Lever – Stat Coil
27	7019709	7019709	Screw – Coil Lever
28	7038808	7038808	Screw – Choke Housing To Bowl
29	7038301	7038301	Lever – Choke
30	7029866	7029866	Screw – Choke Lever
31	7000614	7000614	Retainer – Stat Cover
32	7011270	7011270	Screw – Stat Cover
	FLOAT BOWL PARTS		
33	7041328	7041338	Float Bowl Assembly
34	7002658	7031969	Jet – Primary (See Note)
35	7002117	7002117	Ball – Pump Discharge
36	7029849	7029849	Retainer – Pump Discharge Ball
37	7035142	7035142	Needle & Seat Assembly
38	KIT ONLY	KIT ONLY	Gasket – Needle Seat
39	7033751	7033751	Pull Clip – Float Needle
40	7034454	7034454	Float Assembly
41	7029856	7029856	Hinge Pin – Float Assembly
42	–	–	Power Piston Assembly
43	–	7036019	Spring – Power Piston
44	–	7040701	Metering Rod – Primary
45	–	7029862	Spring – Metering Rod – Primary
46	7040957	7040957	Filter Nut – Fuel Inlet
47	KIT ONLY	KIT ONLY	Gasket – Filter Nut
48	5650906	5650906	Filter – Fuel Inlet
49	7032732	7032732	Spring Fuel Filter
50	7035906	7035906	Idle Compensator Assembly
51	KIT ONLY	KIT ONLY	Gasket – Idle Compensator
52	7035049	7035049	Cover – Idle Compensator
53	7020926	7020926	Screw – Cover Attaching
54	7003176	7003176	Spring – Idle Stop Screw
55	7002121	7002121	Screw – Idle Stop
56	7034361	7034361	Insert – Float Bowl
57	7031365	7031365	Baffle – Float Bowl
58	7043600	7043600	Spring – Pump Return
59	7035031	7035031	Pump Assembly
60	7026138	7026138	Rod Assembly
	THROTTLE BODY PARTS		
61	7040867	7041339	Throttle Body Assembly
62	KIT ONLY	KIT ONLY	Gasket – Throttle Body
63	7035790	7035790	Screw – Throttle Body
64	7042433	7042433	Idle Needle
65	7011479	7011479	Spring – Idle Needle
66	7038298	7038298	Lever – Cam Follower
67	7035772	7035772	Spring – Cam Lever
68	7035998	7035998	Fast Idle Lever
69	7035523	7035523	Screw – Fast Idle Lever
70	7044794	7044794	Screw – Fast Idle Adjusting
71	7029900	7029900	Spring – Fast Idle Screw
72	412501	412501	Spring – Flange

Note: 7002658 Jet NOT Included In Overhaul Kit

250 ENGINE
1971 ROCHESTER CARBURETOR MODEL MV



PARTS SHOWN ARE FOR IDENTIFICATION ONLY. CONSULT PARTS LIST FOR CORRECT PART NAME AND NUMBER

	AUTOMATIC TRANSMISSION	MANUAL TRANSMISSION	APPLICATION
	7041014	7041017	CARBURETOR No.
	17051999	17051999	REPLACEMENT PACKAGE No.
	7041598	7041597	OVERHAUL KIT
	7039196	7039196	POWER CARBURETOR KIT
	7041599	7041599	GASKET SET
Illus.No.	AIR HORN PARTS		
1	7042482	7042480	Air Horn Assembly
2	7038912	7038912	Screw - Air Horn (Long)
3	7014698	7014698	Screw - Air Horn (Short)
4	7037774	7037774	Bracket - Air Cleaner Stud
5	7038913	7038913	Screw - Bracket Attaching
6	-	-	Idle Vent Valve Kit
7	7037591	7037591	Gasket - Air Horn
	CHOKE PARTS		
8	7028175	7028175	Choke Shaft and Lever
9	7034012	7034012	Choke Valve
10	7020926	7020926	Screw - Choke Valve
11	7034013	7034013	Connector - Vacuum Break Link
12	7040606	7040646	Vacuum Break Link Assembly
13	7034017	7034017	Diaphragm - Vacuum Break
14	7034018	7034018	Cover - Vacuum Break
15	7020926	7020926	Screw - Cover
16	7037000	7037000	Choke Rod
17	7026277	7026277	Choke Lever
18	7019709	7019709	Screw - Choke Lever
19	7038956	7038956	Cam - Fast Idle
20	7003561	7003561	Screw - Cam Attaching

250 ENGINE
1971 ROCHESTER CARBURETOR MODEL MV – CONT'D

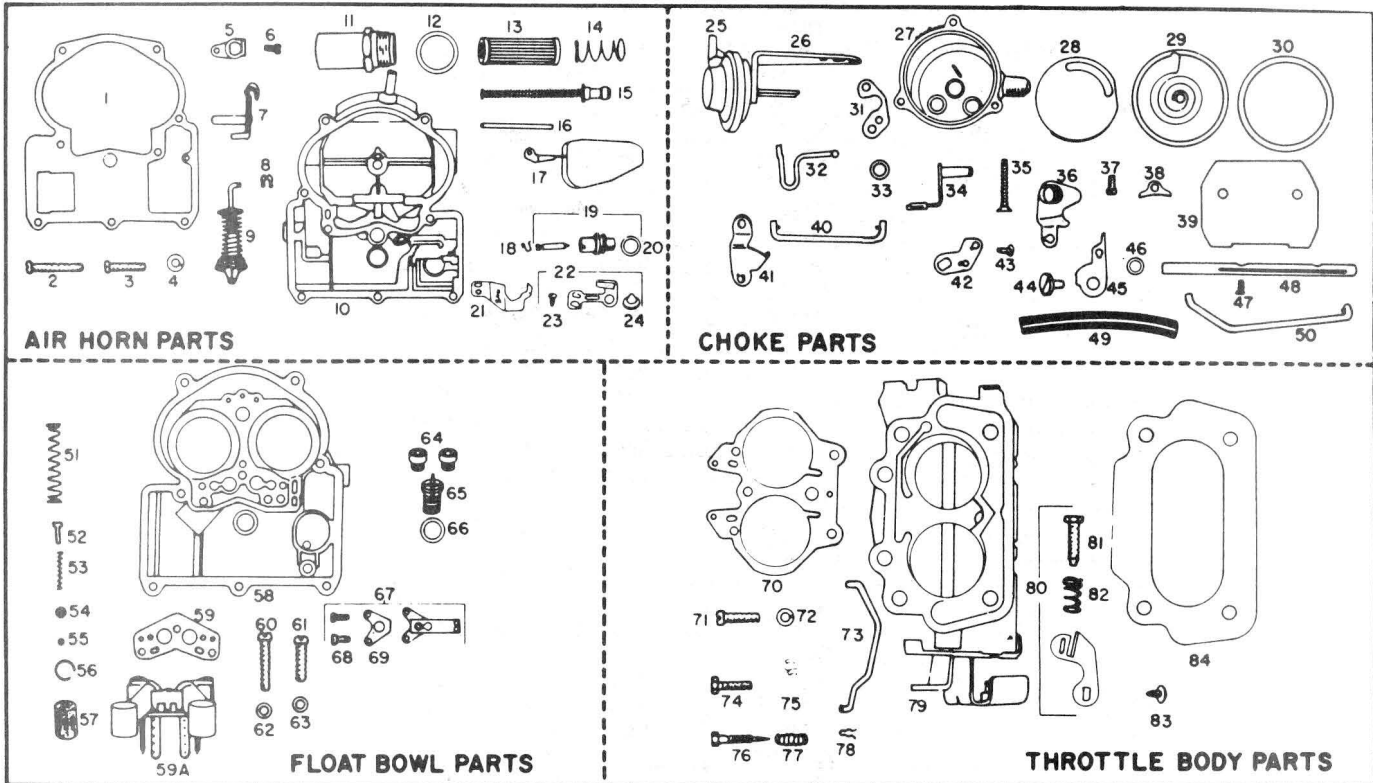
Illus.No.	AUTOMATIC TRANSMISSION	MANUAL TRANSMISSION	APPLICATION
	7041014	7041017	CARBURETOR No.
FLOAT BOWL PARTS			
21	7041591	N.L.A.	Float Bowl Assembly
22	7033942	7033943	Idle Tube Assembly
23	7034206	7034206	Jet – Main Metering (Standard)
23	7034203	7034203	Jet – Main Metering (Altitude)
24	7002117	7002117	Ball – Pump Discharge
25	7002118	7002118	Spring – Pump Discharge
26	7003838	7003838	Guide – Pump Discharge
27	7035133	7035133	Needle and Seat Assembly
28	KIT ONLY	KIT ONLY	Gasket – Needle Seat
29	7035870	–	Idle Compensator Assembly
30	KIT ONLY	–	Gasket – Idle Compensator
31	7035670	–	Cover – Idle Compensator
32	7034030	–	Screw – Cover
33	7037022	7037022	Float Assembly
34	7034032	7034032	Hinge Pin – Float
35	7037780	7037780	Power Piston Assembly
36	7012515	7012515	Spring – Power Piston
37	7024215	7024215	Rod – Power Piston
38	7044791	7040630	Metering Rod & Spring Assembly
39	7038946	7038946	Filter Nut – Fuel Inlet
40	7032508	7032508	Gasket – Filter Nut
41	5651393	5651393	Filter – Fuel Inlet
42	7031539	7031539	Spring – Fuel Filter
43	7034034	7034034	Screw – Slow Idle
44	7037597	7037597	Pump Assembly
45	7042670	7042670	Lever – Pump Actuating
46	7008694	7008694	Spring – Pump Return
–	1114444	1114444	Solenoid (C.E.C.)
–	7042667	7042667	Bracket Assembly – Solenoid
–	7042654	7042654	Nut – Solenoid Retaining
–	7042653	7042653	Locking Washer – Retaining Nut
–	7043661	7043661	Screw – Bracket Retaining
–	7026339	7026339	Hose – Solenoid Vacuum
THROTTLE BODY PARTS			
47	7048234	7042490	Throttle Body Assembly
48	KIT ONLY	KIT ONLY	Gasket – Throttle Body
49	7042427	7042427	Idle Needle
50	7038989	7038989	Spring – Idle Needle
–	7043677	7043677	Limiter Cap – Idle Needle
51	7038875	7038875	Screw – Throttle Body
52	7024216	7024216	Lever – Pump and Power Rods
53	7010435	7010435	Screw – Lever Attaching
54	7024214	7024214	Link – Power Piston Rod
55	7037855	7037855	Link – Pump Lever
56	–	–	Gasket – Flange (Non California)
–	–	–	Gasket – Flange (California)
–	3982946	3982946	Insulator – Flange (California & 1971)

ACCESSORIES

7030605	Vapor Canister
7026014	Filter Element
7021739	Drain Cap & Filter Assembly
7041344	Purge Valve Repair Kit
7023987	Spring – Purge Valve Diaphragm
–	Liquid Separator (A, B & G Bodies)
–	Liquid Separator (F & X Bodies)



350 & 455 ENGINES WITH 2BC
1971 ROCHESTER CARBURETOR MODEL 2GC



PARTS SHOWN ARE FOR IDENTIFICATION ONLY CONSULT PARTS LIST FOR CORRECT PART NAME AND NUMBER

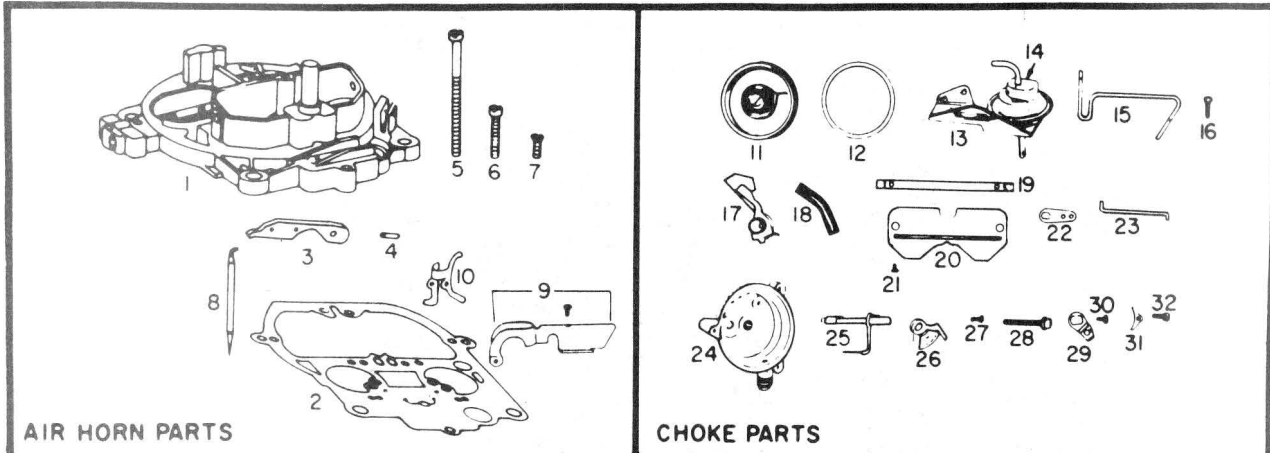
ILLUS. No.	MAN.	350	455	APPLICATION
	TRANS.	AUTO. TRANS.	AUTO. TRANS.	
	7041155	7041156	7041159	CARBURETOR No.
	7047155	17054633	7047159	REPLACEMENT PACKAGE No.
	7041710	7041710	7041710	OVERHAUL KIT
	NLA	NLA	NLA	POWER CARBURETOR KIT (VITON)
	7039206	7039206	7039206	POWER CARBURETOR KIT (STEEL)
	7041711	7041711	7041711	GASKET SET
AIR HORN PARTS				
1	7042766	7042766	7042766	Gasket - Air Horn
2	7010432	7010432	7010432	Screw - Air Horn - Long
3	7006119	7006119	7006119	Screw - Air Horn - Short
4	726254	726254	726254	Lockwasher - Air Horn Screw
5	**7036764	**7036764	**7036764	Pump Lever - Inside
6	7011270	7011270	7011270	Screw - Pump Lever
7	**7036764	**7036764	**7036764	Pump Shaft & Lever Assy.
-	7019568	7019568	7019568	Washer - Pump Shaft
8	7005032	7005032	7005032	Clip - Pump
9	7037562	7037562	7037562	Pump Assembly
10	7041773	7041773	7041773	Air Horn Assembly
11	7040957	7040957	7040957	Filter Nut - Fuel Inlet
12	7032508	7032508	7032508	Gasket - Filter Nut
13	5650906	5650906	5650906	Filter - Fuel Inlet
14	7032732	7032732	7032732	Spring - Fuel Inlet Filter
15	7009718	7006011	7006011	Power Piston Assembly
16	7010037	7010037	7010037	Pin - Float Hinge
17	7037512	7037512	7037512	Float Assembly
18	-	-	-	Pull Clip - Float Needle
19	7035132	7035132	7035132	Needle & Seat Assy. (Viton)
19	7035386	7035386	7035386	Needle & Seat Assy. (Steel)
20	KIT ONLY	KIT ONLY	KIT ONLY	Gasket - Needle Seat
21	-	-	-	Shield - Idle Vent

	7041155	7041156	7041159	CARBURETOR No.
Illus. No.	AIR HORN PARTS (Continued)			
22	—	—	—	Idle Vent Valve Kit
23	—	—	—	Screw — Idle Vent Valve
24	—	—	—	Idle Vent Valve
CHOKE PARTS				
25	—	—	—	Vacuum Break Control Assembly
26	7035996	7035996	7035996	Vacuum Break Control & Bracket Assy.
—	7037570	7037570	7037570	Screw — Control Attaching
27	7043797	7045919	7043797	Choke Housing
28	7037239	7037239	7037239	Baffle Plate
29	7041709	7041709	7041709	Stat Cover, Coil & Gasket Assy.
30	7002760	7002760	7002760	Gasket — Stat Cover
31	7037796	7037796	7037796	Gasket — Choke Housing
32	17050502	17050502	17050502	Link — Vacuum Break
33	KIT ONLY	KIT ONLY	KIT ONLY	Dust Seal — Inter. Choke Shaft & Choke Shaft
34	7037227	7037227	7037227	Intermediate Choke Shaft Assy.
35	7013704	7013704	7013704	Screw — Choke Housing
36	7038978	7038978	7038978	Cam Lever & Bushing Assembly
37	7011270	7011270	7011270	Screw — Stat Cover
38	7000614	7000614	7000614	Retainer — Stat Cover
39	7033443	7033443	7033443	Choke Valve
40	7038981	7038981	7038981	Intermediate Choke Rod
41	7037904	7037904	7037904	Intermediate Choke Lever
42	17050502	17050502	17050502	Choke Lever
43	7019709	7019709	7019709	Screw — Choke Levers
44	7003561	7003561	7003561	Screw — Cam Attaching
45	7043646	7043646	7043646	Cam — Fast Idle
46	7038660	7038660	7038660	Washer — Cam
47	7007627	7007627	7007627	Screw — Choke Valve
48	17050502	17050502	17050502	Choke Shaft
49	7026339	7026339	7026339	Hose — Vacuum
50	7037241	7037241	7037241	Choke Rod
FLOAT BOWL PARTS				
51	7043600	7043600	7043600	Spring — Pump Return
52	7000286	7000286	7000286	Guide — Pump Discharge
53	7002118	7002118	7002118	Spring — Pump Discharge
54	7002117	7002117	7002117	Ball — Pump Discharge
55	7002120	7002120	7002120	Ball — Pump Inlet Check
56	7034609	7034609	7034609	Retainer — Check Ball
57	7004557	7004557	7004557	Strainer — Pump Inlet
58	7041705	7041705	7041706	Float Bowl Assembly
59	KIT ONLY	KIT ONLY	KIT ONLY	Gasket — Venturi Cluster
59A	7042327	7044822	7044822	Venturi Cluster Assembly
60	7008502	7008502	7008502	Screw — Cluster — Outer
61	7009077	7009077	7009077	Screw — Cluster — Center
62	726254	726254	726254	Lockwasher — Outer Screw
63	KIT ONLY	KIT ONLY	KIT ONLY	Gasket — Center Screw
64	7002656	7002654	7002658	Jet — Standard
65	7011989	7011989	7011989	Power Valve Assembly
66	KIT ONLY	KIT ONLY	KIT ONLY	Gasket — Power Valve
67	—	—	7038638	Idle Compensator Assembly
68	7015127	7015127	7015127	Screw — Idle Compensator
69	KIT ONLY	KIT ONLY	KIT ONLY	Gasket — Idle Compensator
—	7027068	7027068	—	Cover — Idle Compensator Hole
THROTTLE BODY PARTS				
70	KIT ONLY	KIT ONLY	KIT ONLY	Spacer — Throttle Body
71	7043731	7043731	7043731	Screw — Throttle Body
72	—	—	—	Lockwasher — Throttle Body
73	7036807	7036807	7036807	Pump Rod Kit
74	7002121	7002121	7002121	Idle Stop Screw
75	7009728	7009728	7009728	Spring — Idle Stop Screw
76	7044723	7044723	7044723	Idle Needle & Limiter Kit
77	7011479	7011479	7011479	Spring — Idle Needle
—	7043684	7043684	7043684	Limiter — Idle Needle
78	7018186	7018186	7018186	Clip — Pump Rod
79	7041708	7041825	7041868	Throttle Body Assembly
80	7037222	7037222	7037222	Fast Idle Lever Assy.
81	7029427	7029427	7029427	Screw — Fast Idle
82	7029428	7029428	7029428	Spring — Fast Idle Screw
83	7010435	7010435	7010435	Screw — Lever Attaching
84	578912	578912	578912	Flange Gasket

ACCESSORIES

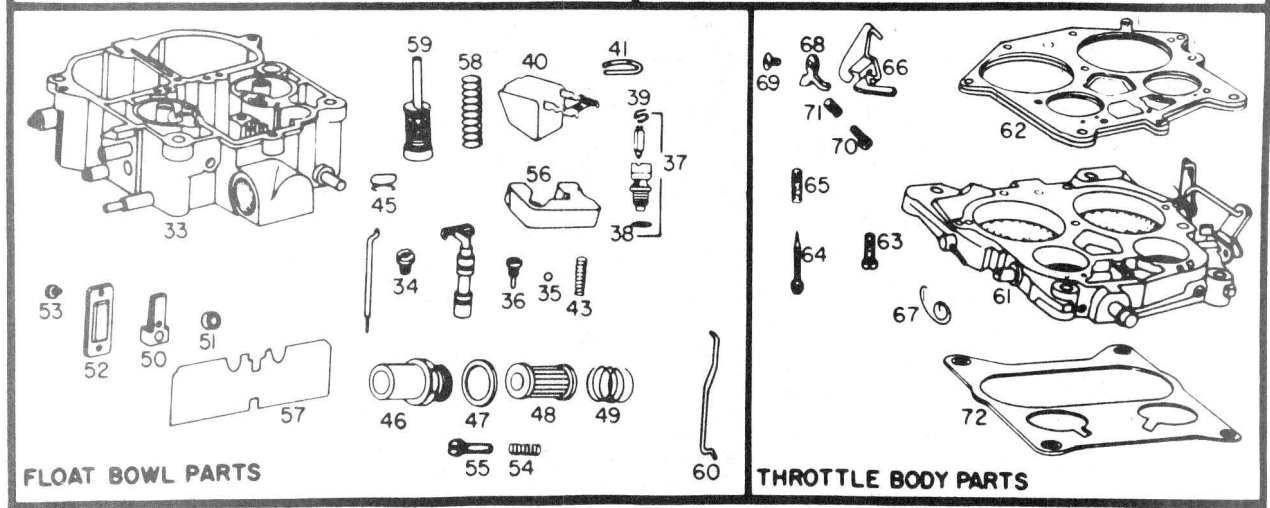
7028131	Vapor Canister
7026014	Canister Filter Assembly
7026014	Filter Element

350 & 455 ENGINE WITH 4BC – EXC. 344
1971 ROCHESTER CARBURETOR MODEL 4MC



AIR HORN PARTS

CHOKE PARTS



FLOAT BOWL PARTS

THROTTLE BODY PARTS

PARTS SHOWN ARE FOR IDENTIFICATION ONLY. CONSULT PARTS LIST FOR CORRECT PART NAME AND NUMBER

	350 CU. IN.	455 CU. IN.	APPLICATION
	7041250	7041251	CARBURETOR No.
	17054801	7047151	REPLACEMENT PACKAGE No.
	7041717	7041717	OVERHAUL KIT
	7039258	7039258	POWER CARBURETOR KIT
	7046640	7046640	GASKET SET
Illus. No.	AIR HORN PARTS		
1	7038164	7038164	Air Horn Assembly
2	7029087	7029087	Gasket – Air Horn
3	7048028	7048028	Lever – Pump Actuating
4	9428787	9428787	Roll Pin – Pump & Lockout Lever Hinge
5	7029912	7029912	Screw – Air Horn
6	7014699	7014699	Screw – Air Horn
7	7031105	7031105	Screw – Air Horn
8	7038256	7033104	Metering Rod – Secondary
9	7034522	7034522	Sec. Metering Rod Holder Kit
10	7037968	7037968	Lever – Air Valve Lockout
–	7035344	7035344	Air Valve Spring & Cam Kit
	CHOKE PARTS		
11	7036948	7036881	Stat Cover, Coil & Gasket Assy.
12	7002760	7002760	Gasket – Stat Cover
13	7044817	7044901	Vacuum Break Control & Brkt. Assy.
14	7024218	7043732	Vacuum Break Control Assy.
15	7038305	7038305	Rod – Vacuum



350 & 455 ENGINE WITH 4BC – EXC OAI 1971 ROCHESTER CARBURETOR MODEL 4MC – CONT'D

	7041250	7041251	CARBURETOR No.
CHOKE PARTS (Continued)			
Illus. No.			
16	7038581	7038581	Screw – Control Attaching
17	17051019	17051019	Cam – Fast Idle
18	7026339	7026339	Hose – Vacuum
19	7038259	7038259	Choke Shaft
20	7038669	7038669	Choke Valve
21	7029866	7029866	Screw – Choke Valve
22	7031231	7031231	Lever – Intermediate Choke
23	7038269	7038269	Rod – Choke
24	7036963	7036880	Choke Housing Assembly
25	7038282	7038282	Inter. Choke Shaft & Lever Assy.
–	KIT ONLY	KIT ONLY	Seal – Inter. Choke Shaft
–	KIT ONLY	KIT ONLY	Seal – Choke Hsg. to Bowl
26	7038285	7038285	Lever – Stat Coil
27	7019709	7019709	Screw – Coil Lever
28	7038808	7038808	Screw – Choke Hsg. to Bowl
29	7038301	7038301	Lever – Choke
30	7029866	7029866	Screw – Choke Lever
31	7000614	7000614	Retainer – Stat Cover
32	7011270	7011270	Screw – Stat Cover
FLOAT BOWL PARTS			
33	7036879(B)	7041844	Float Bowl Assembly
34	7031970(C)	7031970	Jet – Primary
35	7002117	7002117	Ball – Pump Discharge
36	7029849	7029849	Retainer – Pump Discharge Ball
37	7035142	7035142	Needle & Seat Assy.
38	KIT ONLY	KIT ONLY	Gasket – Needle Seat
39	7033751	7033751	Pull Clip – Float Needle
40	7034454	7034454	Float Assembly
41	7029856	7029856	Hinge Pin – Float Assembly
42	7034903	7034903	Power Piston Assembly
43	7036019	7036019	Spring – Power Piston
44	7034849	7034849	Metering Rod – Primary
45	7029862	7029862	Spring – Metering Rod – Primary
46	7040957	7040957	Filter Nut – Fuel Inlet
47	7032508	7032508	Gasket – Filter Nut
48	5650906	5650906	Filter – Fuel Inlet
49	7032732	7032732	Spring Fuel Filter
50	7035906	7035906	Idle Compensator Assembly
51	KIT ONLY	KIT ONLY	Gasket – Idle Compensator
52	7035049	7035049	Cover – Idle Compensator
53	7020926	7020926	Screw – Cover Attaching
54	7003176	7003176	Spring – Idle Stop Screw
55	7002121	7002121	Screw – Idle Stop
56	7034361	7034361	Insert – Float Bowl
57	7031365	7031365	Baffle – Float Bowl
58	7043600	7043600	Spring – Pump Return
59	7035031	7035031	Pump Assembly
60	7026138	7026138	Rod Assembly
THROTTLE BODY PARTS			
61	7041714	7041800(D)	Throttle Body Assembly
62	KIT ONLY	KIT ONLY	Gasket – Throttle Body
63	7035790	7035790	Screw – Throttle Body
64	7048532	7042457	Idle Needle & Limiter Kit
65	7011479	7011479	Spring – Idle Needle
–	7042801	7042801	Limiter Cap – Idle Needle
66	7038298	7038298	Lever – Cam Follower
67	7035772	7035772	Spring – Cam Lever
68	7035998	7035998	Fast Idle Lever
69	7035523	7035523	Screw – Fast Idle Lever
70	7044794	7044794	Screw – Fast Idle Adjusting
71	7029900	7029900	Spring – Fast Idle Screw
72	412501	412501	Gasket – Flange

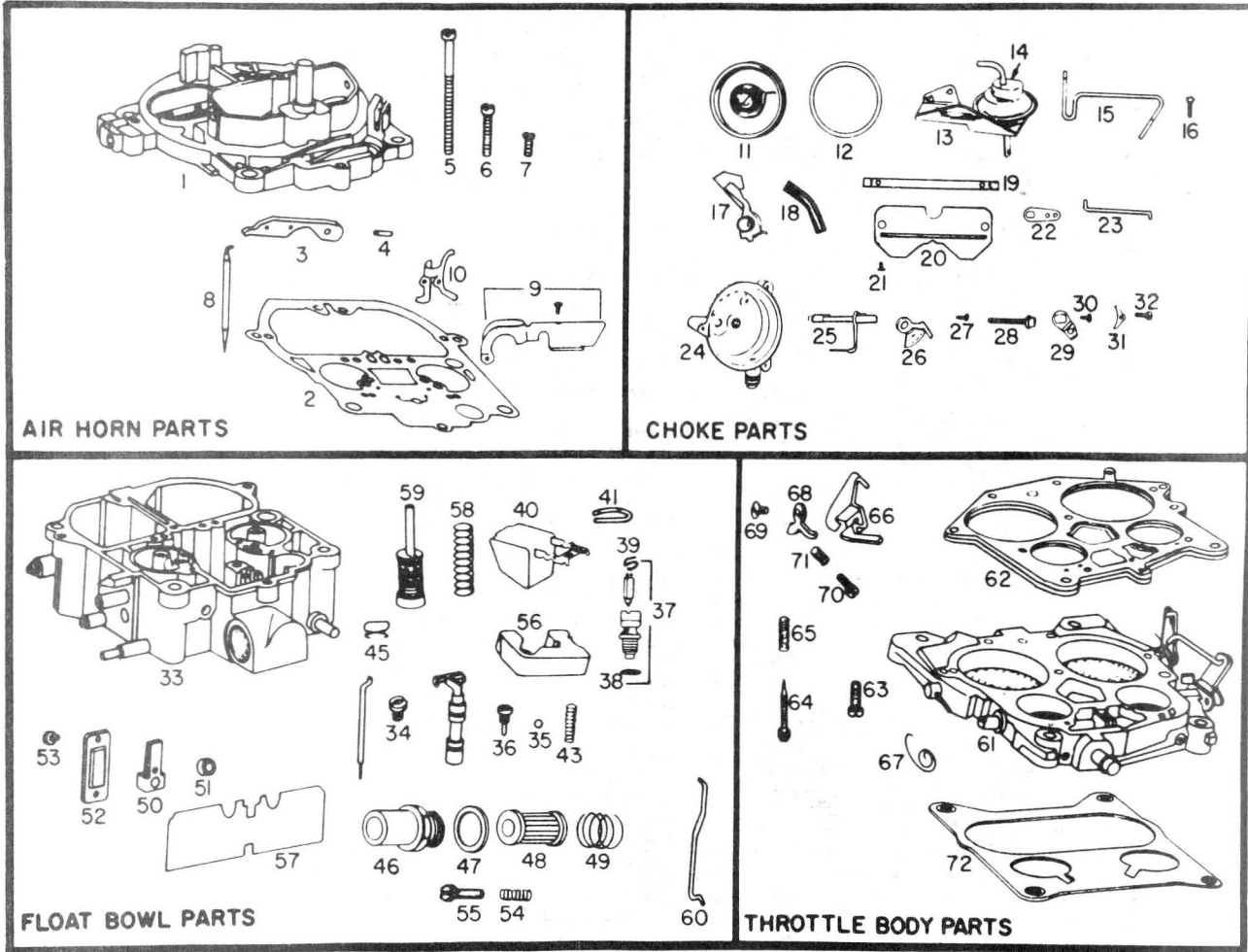
- NOTES: A. Used on 1st Type Valve Stamped 38669. For 2nd Type Stamped 45665 Use 7045665.
 B. Use With AT Trans. For ST Trans. Use 7041332.
 C. Use With AT Trans. For ST Trans. Use 7031969.
 D. For 344 Series Use 7041759.

ACCESSORIES

7028131	Vapor Canister
7026014	Canister Filter Assembly
7026014	Filter Element



344 WITH 455 ENGINE WITH 4BC
1971 ROCHESTER CARBURETOR MODEL 4MC



PARTS SHOWN ARE FOR IDENTIFICATION ONLY. CONSULT PARTS LIST FOR CORRECT PART NAME AND NUMBER

	MAN. TRANS.	AUTO. TRANS.	APPLICATION
	7041253	7041257	CARBURETOR No.
	7047153	7047157	REPLACEMENT PACKAGE No.
	7041723	7041723	OVERHAUL KIT
	7039258	7039258	POWER CARBURETOR KIT
	7046640	7046640	GASKET SET
Illus. No.	AIR HORN PARTS		
1	7038164	7040910	Air Horn Assembly
2	7029087	7029087	Gasket - Air Horn
3	7048028	7048028	Lever - Pump Actuating
4	9428787	9428787	Roll Pin - Pump & Lockout Lever Hinge
5	7029912	7029912	Screw - Air Horn
6	7014699	7014699	Screw - Air Horn
7	7031105	7031105	Screw - Air Horn
8	7033655	7033658	Metering Rod - Secondary
9	7034522	7034522	Secondary Metering Rod Holder Kit
10	7037968	7037968	Lever - Air Valve Lockout
-	7035344	7035344	Air Valve Spring & Cam Kit
	CHOKE PARTS		
11	7036948	7036881	Stat Cover, Coil & Gasket Assembly
12	7002760	7002760	Gasket - Stat Cover
13	7044901	7044901	Vacuum Break Control & Bracket Assembly
14	7043732	7043732	Vacuum Break Control Assembly
15	7038305	7038305	Rod - Vacuum

344 WITH 455 ENGINE WITH 4BC
1971 ROCHESTER CARBURETOR MODEL 4MC - CONT'D.

	7041253	7041257	CARBURETOR No.
	CHOKE PARTS (Continued)		
Illus. No.			
16	7038581	7038581	Screw - Control Attaching
17	17051019	17051019	Cam - Fast Idle
18	7026339	7026339	Hose - Vacuum
19	7038259	7038259	Choke Shaft
20	7038669	7038669	Choke Valve
21	7029866	7029866	Screw - Choke Valve
22	7031231	7031231	Lever - Intermediate Choke
23	7038269	7038269	Rod - Choke
24	7036963	7036880	Choke Housing Assembly
25	7038282	7038282	Intermediate Choke Shaft & Lever Assembly
-	KIT ONLY	KIT ONLY	Seal - Intermediate Choke Shaft
-	KIT ONLY	KIT ONLY	Seal - Choke Housing to Bowl
26	7038285	7038285	Lever - Stat Coil
27	7019709	7019709	Screw - Coil Lever
28	7038808	7038808	Screw - Choke Housing to Bowl
29	7038301	7038301	Lever - Choke
30	7029866	7029866	Screw - Choke Lever
31	7000614	7000614	Retainer - Stat Cover
32	7011270	7011270	Screw - Stat Cover
	FLOAT BOWL PARTS		
33	7041332	7041329	Float Bowl Assembly
34	7031969	7031969	Jet - Primary
35	7002117	7002117	Ball - Pump Discharge
36	7029849	7029849	Retainer - Pump Discharge Ball
37	7035142	7035142	Needle & Seat Assembly
38	KIT ONLY	KIT ONLY	Gasket - Needle Seat
39	7033751	7033751	Pull Clip - Float Needle
40	7034454	7034454	Float Assembly
41	7029856	7029856	Hinge Pin - Float Assembly
42	7034903	7034903	Power Piston Assembly
43	7036019	7036019	Spring - Power Piston
44	7034849	7034849	Metering Rod - Primary
45	7029862	7029862	Spring - Metering Rod - Primary
46	7040957	7040957	Filter Nut - Fuel Inlet
47	7032508	7032508	Gasket - Filter Nut
48	5650906	5650906	Filter - Fuel Inlet
49	7032732	7032732	Spring Fuel Filter
50	7035906	7035906	Idle Compensator Assembly
51	KIT ONLY	KIT ONLY	Gasket - Idle Compensator
52	7035049	7035049	Cover - Idle Compensator
53	7020926	7020926	Screw - Cover Attaching
54	7003176	7003176	Spring - Idle Stop Screw
55	7002121	7002121	Screw - Idle Stop
56	7034361	7034361	Insert - Float Bowl
57	7031365	7031365	Baffle - Float Bowl
58	7043600	7043600	Spring - Pump Return
59	7035031	7035031	Pump Assembly
60	7026138	7026138	Rod
	THROTTLE BODY PARTS		
61	7041720	7044771	Throttle Body Assembly
62	KIT ONLY	KIT ONLY	Gasket - Throttle Body
63	7035790	7035790	Screw - Throttle Body
64	7048532	7042457	Idle Needle & Limiter Kit
65	7011479	7011479	Spring - Idle Needle
-	7042801	7042801	Limiter Cap - Idle Needle
66	7038298	7038298	Lever - Cam Follower
67	7035772	7035772	Spring - Cam Lever
68	7035998	7035998	Fast Idle Lever
69	7035523	7035523	Screw - Fast Idle Lever
70	7044794	7044794	Screw - Fast Idle Adjusting
71	7029900	7029900	Spring - Fast Idle Screw
72	412501	412501	Gasket - Flange

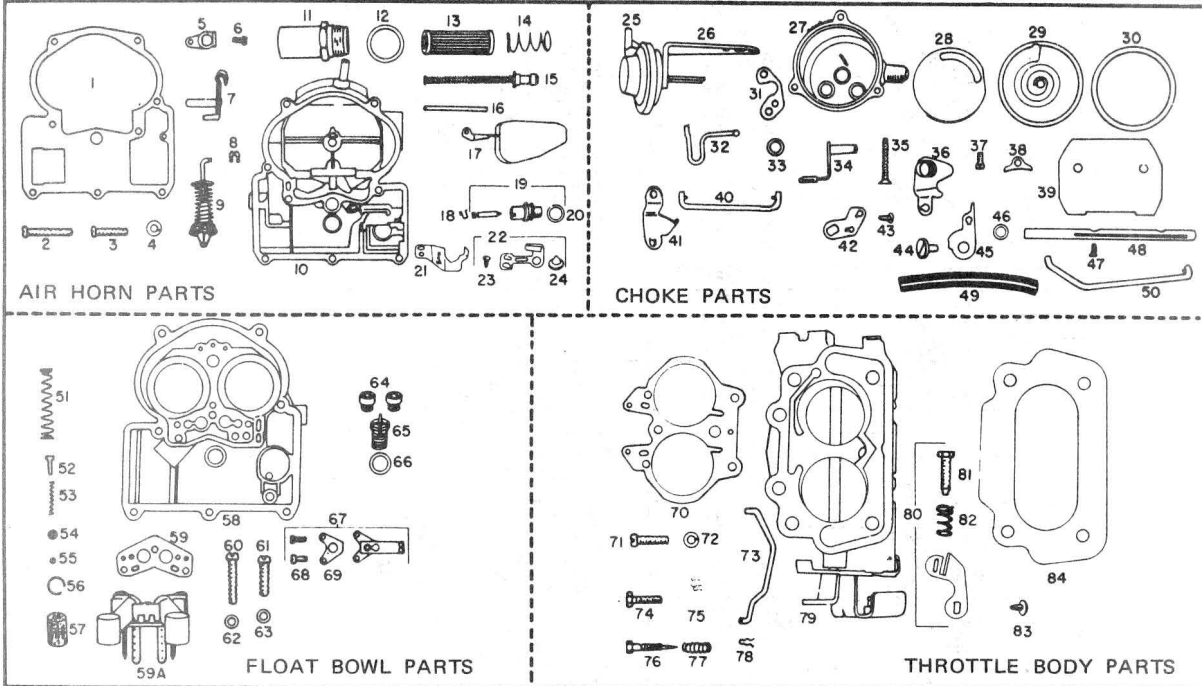
ACCESSORIES

7028131	Vapor Canister
7026014	Canister Filter Assembly
7026014	Filter Element

350 ENGINE WITH 2BC

**1972 ROCHESTER CARBURETOR MODEL 2GC
1972 OLDSMOBILE**

PARTS SHOWN ARE FOR IDENTIFICATION ONLY. CONSULT PARTS LIST FOR CORRECT PART NAME AND NUMBER.



PARTS IN ALL COLUMNS SAME – EXCEPT WHERE INDICATED

	MAN. TRANS.	AUTO. TRANS.	APPLICATION
	7042155	7042156	CARBURETOR No.
	7047255	17054634	REPLACEMENT PACKAGE No.
	7041710		OVERHAUL KIT
	7039206		POWER CARBURETOR KIT (STEEL)
	7041711		GASKET SET
Illus. No.	AIR HORN PARTS		
1	7042766		Gasket – Air Horn
2	7010432		Screw – Air Horn –Long
3	7006119		Screw – Air Horn –Short
4	726254		Lockwasher – Air Horn Screw
5	NSS		Pump Lever – Inside
6	7011270		Screw – Pump Lever
7	7036764		Pump Shaft & Lever Kit
–	7019568		Washer – Pump Shaft
8	–		Clip – Pump
9	7037562		Pump Assembly
10	7046618	7041773	Air Horn Assembly
11	7040957		Filter Nut – Fuel Inlet
12	7032508		Gasket – Filter Nut
13	5650906		Filter – Fuel Inlet
14	7032732		Spring – Fuel Inlet Filter
15	7009718		Power Piston Assembly
16	7010037		Pin – Float Hinge
17	7037512		Float Assembly
18	–		Pull Clip – Float Needle
19	7035386		Needle and Seat Assembly – Steel
20	KIT ONLY		Gasket – Needle Seat
21	–		Shield – Idle Vent

NSS – Not Serviced Separately



Illus. No.	7042155	7042156	CARBURETOR No.
		AIR HORN PARTS	(Continued)
22	—		Idle Vent Valve Kit
23	—		Screw — Idle Vent Valve
24	—		Idle Vent Valve
		CHOKE PARTS	
25	—		Vacuum Break Control Assembly
26	7046047		Vacuum Break Control & Bracket Assy.
—	7037570		Screw — Control Attaching
27	7045919		Choke Housing
28	7037239		Baffle Plate
29	7041709		Stat Cover, Coil & Gasket Assy.
30	7002760		Gasket — Stat Cover
31	7037796		Gasket — Choke Housing
32	17050502		Link — Vacuum Break
33	7037569		Dust Seal — Inter. Choke Shaft & Choke Shaft
34	7037227		Intermediate Choke Shaft Assy.
35	7013704		Screw — Choke Housing
36	7038978		Cam Lever & Bushing Assembly
37	7011270		Screw — Stat Cover
38	7000614		Retainer — Stat Cover
39	7033443		Choke Valve
40	7038981		Intermediate Choke Rod
41	7037904		Intermediate Choke Lever
42	17050502		Choke Lever
43	7019709		Screw — Choke Levers
44	7003561		Screw — Cam Attaching
45	7043646		Cam — Fast Idle
46	7038660		Washer — Cam
47	7007627		Screw — Choke Valve
48	17050502		Choke Shaft
49	7026339		Hose — Vacuum
50	7037241		Choke Rod
		FLOAT BOWL PARTS	
51	7043600		Spring — Pump Return
52	7000286		Guide — Pump Discharge
53	7002118		Spring — Pump Discharge
54	7002117		Ball — Pump Discharge
55	7002120		Ball — Pump Inlet Check
56	7034609		Retainer — Check Ball
57	7004557		Strainer — Pump Inlet
58	7041987	7046572	Float Bowl Assembly
59	KIT ONLY		Gasket — Venturi Cluster
59A	7046074	7046170	Venturi Cluster Assembly
60	7045762		Screw — Cluster — Outer
61	7009077		Screw — Cluster — Center
62	726254		Lockwasher — Outer Screw
63	KIT ONLY		Gasket — Center Screw
64	7002654	7002651	Jet — Standard
65	7011989		Power Valve Assembly
66	KIT ONLY		Gasket — Power Valve
67	—		Idle Compensator Assembly
68	7015127		Screw — Idle Compensator Cover
69	KIT ONLY		Gasket — Idle Compensator Cover
—	7027068		Cover — Idle Compensator Hole
—	7030735		Solenoid — Idle Stop
—	7030616		Bracket & Washer — Solenoid
—	7042653		Locking Washer — Retaining Nut
—	7042654		Nut — Solenoid Retaining
—	7043682		Screw — Bracket Attaching
		THROTTLE BODY PARTS	
70	KIT ONLY		Spacer — Throttle Body
71	7043731		Screw — Throttle Body
72	—		Lockwasher — Throttle Body
73	7036807		Pump Rod Kit
74	7002121		Idle Stop Screw
75	7009728		Spring — Idle Stop Screw
76	7044723		Idle Needle & Limiter Kit
77	7011479		Spring — Idle Needle
—	7043684		Limiter — Idle Needle
78	7018186		Clip — Pump Rod
79	7046534		Throttle Body Assembly
80	7037222		Fast Idle Lever Assy.
81	7029427		Screw — Fast Idle
82	7029428		Spring — Fast Idle Screw
83	7010435		Screw — Lever Attaching
84	578912		Flange Gasket

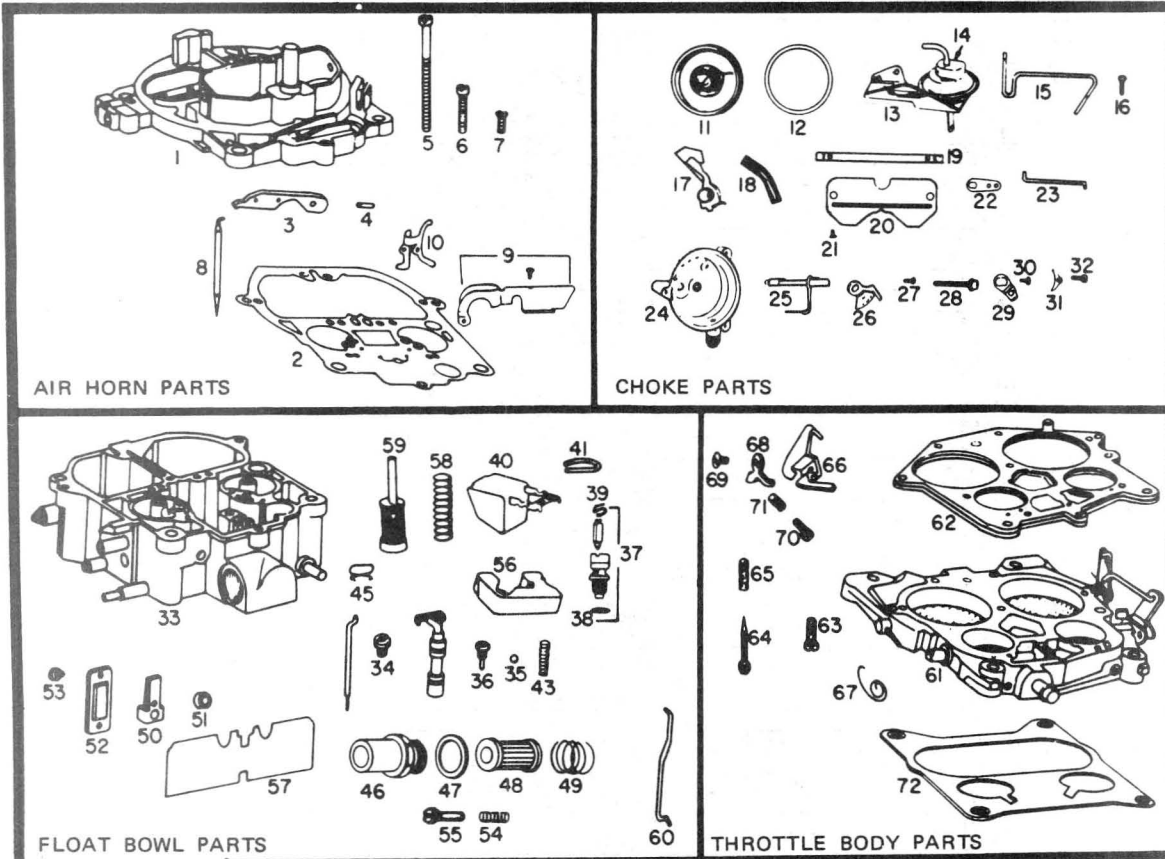
ACCESSORIES

7028131	Vapor Canister
7026014	Canister Filter Assembly
7026014	Filter Element

350 & 455 ENGINE WITH 4BC

**1972 ROCHESTER CARBURETOR MODEL 4MC
1972 OLDSMOBILE**

PARTS SHOWN ARE FOR IDENTIFICATION ONLY. CONSULT PARTS LIST FOR CORRECT PART NAME AND NUMBER.



PARTS IN ALL COLUMNS SAME - EXCEPT WHERE INDICATED

	ALL 350 CU. IN.	OLDSMOBILE 455 CU. IN.	4-4-2 455 CU. IN.	APPLICATION
	7042250	7042251	7042953	CARBURETOR No.
	17054801	17054801	7047253	REPLACEMENT PACKAGE No.
	7046765			OVERHAUL KIT
	7039258			POWER CARBURETOR KIT
	7046640			GASKET SET
AIR HORN PARTS				
Illus. No.	7045662			Air Horn Assembly
1	7029087			Gasket - Air Horn
2	7048028			Lever - Pump Actuating
3	9428787			Roll Pin - Pump & Lockout Lever Hinge
4	7029912			Screw - Air Horn
5	7014699			Screw - Air Horn
6	7031105			Screw - Air Horn
7	7045778	7045779		Metering Rod - Secondary
8	7034522			Sec. Metering Rod Holder Kit
9	7037968			Lever - Air Valve Lockout
10	7035344			Air Valve Spring & Cam Kit
-	7030753			Air Valve Stop
CHOKE PARTS				
11	7036948	7036881	7036948	Stat Cover, Coil & Gasket Assy.
12	7002760			Gasket - Stat Cover
13	7044817	7044901	7044901	Vacuum Break Control & Brkt. Assy.
14	7024218	7043732	7043732	Vacuum Break Control Assy.
15	7038305			Rod - Vacuum

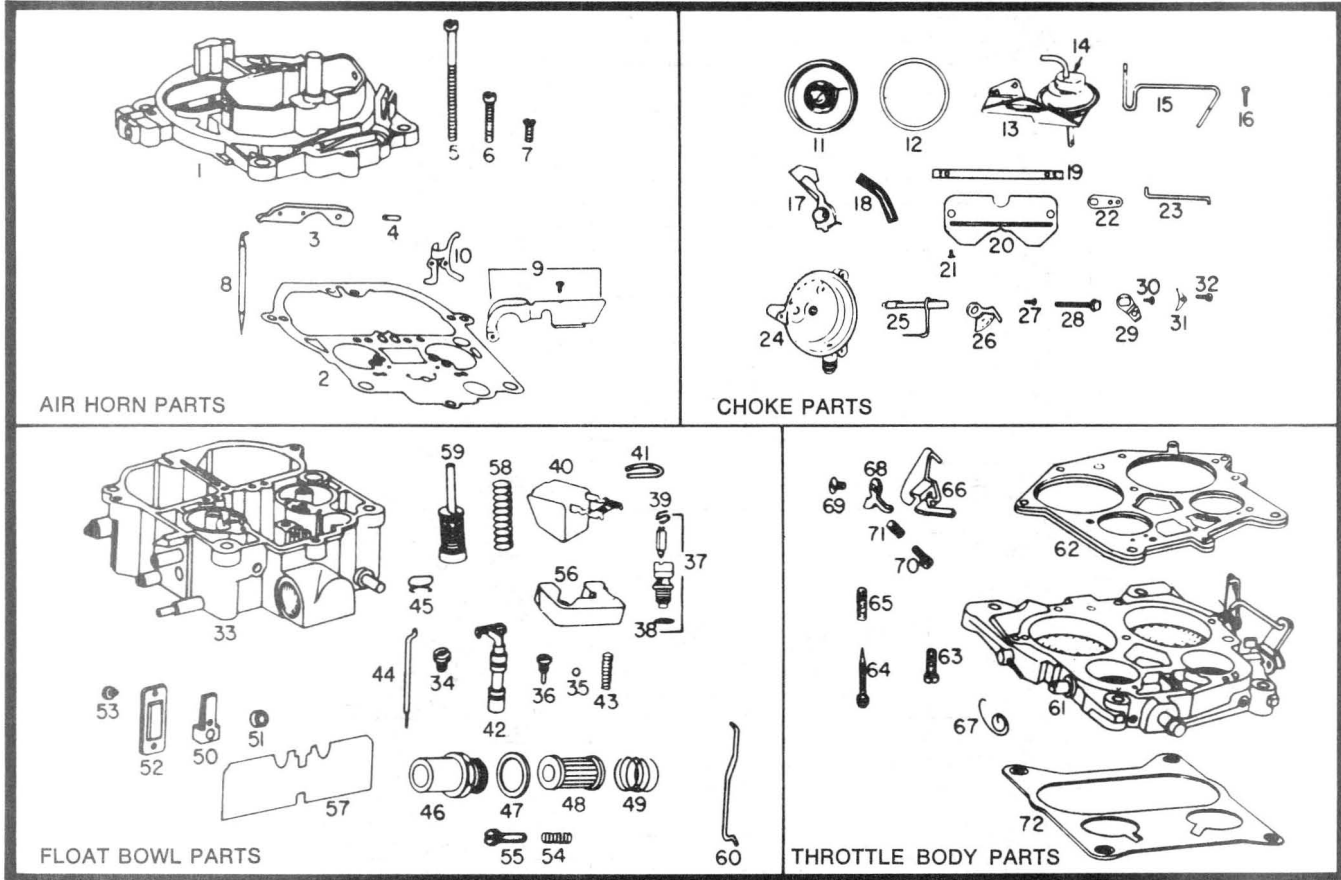
Illus. No.	7042250	7042251	7042953	CARBURETOR No.
CHOKE PARTS (Continued)				
16	7038581			Screw – Control Attaching
17	17051019			Cam – Fast Idle
18	7026339			Hose – Vacuum
19	7038259			Choke Shaft
20	7045665			Choke Valve
21	7029866			Screw – Choke Valve
22	7031231			Lever – Intermediate Choke
23	7038269			Rod – Choke
24	7036963	7036880	7036963	Choke Housing Assembly
25	7038282			Inter. Choke Shaft & Lever Assy.
–	7037569			Seal – Inter. Choke Shaft
–	7030662			Seal – Choke Hsg. to Bowl
26	7038285			Lever – Stat Coil
27	7019709			Screw – Coil Lever
28	7038808			Screw – Choke Hsg. to Bowl
29	7038301			Lever – Choke
30	7029866			Screw – Choke Lever
31	7000614			Retainer – Stat Cover
32	7011270			Screw – Stat Cover
FLOAT BOWL PARTS				
33	7041991	7041991	7041998	Float Bowl Assembly
34	7031969			Jet – Primary
35	7002117			Ball – Pump Discharge
36	7029849			Retainer – Pump Discharge Ball
37	7035142			Needle & Seat Assy.
38	KIT ONLY			Gasket – Needle Seat
39	7033751			Pull Clip – Float Needle
40	7034454			Float Assembly
41	7029856			Hinge Pin – Float Assembly
42	7034903			Power Piston Assembly
43	7036019	7036019	7037851	Spring – Power Piston
44	7034847			Metering Rod – Primary
45	7029862			Spring – Metering Rod – Primary
46	7045878			Filter Nut – Fuel Inlet.
47	7024281			Gasket – Filter Nut
48	5650906			Filter – Fuel Inlet
49	7032732			Spring Fuel Filter
50	7035906			Idle Compensator Assembly
51	KIT ONLY			Gasket – Idle Compensator
52	7035049			Cover – Idle Compensator
53	7020926			Screw – Cover Attaching
54	7003176			Spring – Idle Stop Screw
55	7002121			Screw – Idle Stop
56	7034361			Insert – Float Bowl
57	7031365			Baffle – Float Bowl
58	7043600			Spring – Pump Return
59	7035031			Pump Assembly
60	7026138			Rod Assembly
–	7030735			Solenoid – Idle Stop
–	7030602			Bracket & Washer – Solenoid
–	7042653			Locking Washer – Retainer Nut
–	7042654			Nut – Solenoid Retaining
–	7030567			Screw – Bracket Attaching
THROTTLE BODY PARTS				
61	7041993	7041993	7046500	Throttle Body Assembly
62	KIT ONLY			Gasket – Throttle Body
63	7035790			Screw – Throttle Body
64	7048532			Idle Needle & Limiter Kit
65	7011479			Spring – Idle Needle
–	7042801			Limiter Cap – Idle Needle
66	7038298			Lever – Cam Follower
67	7035772			Spring – Cam Lever
68	7035998			Fast Idle Lever
69	7035523			Screw – Fast Idle Lever
70	7044794			Screw – Fast Idle Adjusting
71	7029900			Spring – Fast Idle Screw
72	412501			Gasket – Flange

ACCESSORIES

7028131	Vapor Canister
7026014	Canister Filter Assembly
7026014	Filter Element

350 ENGINE WITH 4 BC
1973 ROCHESTER CARBURETOR MODEL 4MC
1973 OLDSMOBILE CUTLASS

PARTS SHOWN ARE FOR IDENTIFICATION ONLY. CONSULT PARTS LIST FOR CORRECT PART NAME AND NUMBER.



PARTS IN ALL COLUMNS SAME — EXCEPT WHERE INDICATED

	CUTLASS EXC. WAGONS AUTO. TRANS	CUTLASS WAGONS AUTO. TRANS	CUTLASS MAN. TRANS.	APPLICATION
	7043250	7043256	7043257	CARBURETOR No.
	17054803	17054803	7046889	REPLACEMENT PACKAGE No.
	7046764	7046764	7046812	OVERHAUL KIT
	7039258			POWER CARBURETOR KIT
	7046766			GASKET SET
Illus. No.	AIR HORN PARTS			
1	7046890			Air Horn Assembly
2	7029087			Gasket—Air Horn
3	7048169			Lever—Pump Actuating
4	9428787			Roll Pin—Pump & Lockout Lever Hinge
5	7029912			Screw—Air Horn
6	7014699			Screw—Air Horn
7	7031105			Screw—Air Horn
8	7045778	7045778	7045781	Metering Rod—Secondary
9	7034522			Sec. Metering Rod Holder Kit
10	7037968			Lever—Air Valve Lockout
—	7035344			Air Valve Spring & Cam Kit
—	7030753			Air Valve Stop
	CHOKE PARTS			
11	7036948			Stat Cover, Coil & Gasket Assy.
12	7002760			Gasket—Stat Cover

Illus. No.	7043250	7043256	7043257	CARBURETOR No.
CHOKE PARTS (Continued)				
13	7047493			Vacuum Break Control & Brkt. Assy.
14	7040100			Vacuum Break Control Assy.
15	7038305			Rod-Vacuum
16	7038581			Screw-Control Attaching
17	7035199			Cam-Fast Idle
18	7026339			Hose-Vacuum
19	7038259			Choke Shaft
20	7045665			Choke Valve
21	7029866			Screw-Choke Valve
22	7031231			Lever-Intermediate Choke
23	7038269			Rod-Choke
24	7036880			Choke Housing Assembly
25	7038282			Inter. Choke Shaft & Lever Assy.
-	7037569			Seal-Inter. Choke Shaft
-	7030662			Seal-Choke Hsg. to Bowl
26	7038285			Lever-Stat Coil
27	7019709			Screw-Coil Lever
28	7038808			Screw-Choke Hsg. to Bowl
29	7038301			Lever-Choke
30	7029866			Screw-Choke Lever
31	7000614			Retainer-Stat Cover
32	7011270			Screw-Stat Cover
FLOAT BOWL PARTS				
33	7046757			Float Bowl Assembly
34	7031969	7031969	7031970	Jet-Primary
35	7002117			Ball-Pump Discharge
36	7029849			Retainer-Pump Discharge Ball
37	7035142			Needle & Seat Assy.
38	KIT ONLY			Gasket-Needle Seat
39	7033751			Pull Clip-Float Needle
40	7034454			Float Assembly
41	7029856			Hinge Pin-Float Assembly
42	7040163			Power Piston Assembly
43	7040498			Spring-Power Piston-Primary
-	7040162	7040162	-	Spring-Power Piston-Secondary
44	7047907	7047907	7046338	Metering Rod-Primary
45	7029862			Spring-Metering Rod-Primary
46	7045878			Filter Nut-Fuel Inlet
47	7024281			Gasket-Filter Nut
48	5650906			Filter-Fuel Inlet
49	7032732			Spring-Fuel Filter
50	7035906			Idle Compensator Assembly
51	KIT ONLY			Gasket-Idle Compensator
52	7035049			Cover-Idle Compensator
53	7020926			Screw-Cover Attaching
54	7003176			Spring-Idle Stop Screw
55	7002121			Screw-Idle Stop
56	7034361			Insert-Float Bowl
57	7031365			Baffle-Float Bowl
58	7043600			Spring-Pump Return
59	7035031			Pump Assembly
60	7026138			Rod Assembly
-	7030735			Solenoid-Idle Stop
-	7030602			Bracket & Washer-Solenoid
-	7042653			Locking Washer-Retainer Nut
-	7042654			Nut-Solenoid Retaining
-	7030567			Screw-Bracket Attaching
THROTTLE BODY PARTS				
61	7046761	7046761	7046761	Throttle Body Assembly
62	KIT ONLY			Gasket-Throttle Body
63	7035790			Screw-Throttle Body
64	7048532			Idle Needle & Limiter Kit
65	7011479			Spring-Idle Needle
-	7042801			Limiter Cap-Idle Needle
66	7038298			Lever-Cam Follower
67	7035772			Spring-Cam Lever
68	7035998			Fast Idle Lever
69	7035523			Screw-Fast Idle Lever
70	7044794			Screw-Fast Idle Adjusting
71	7029900			Spring-Fast Idle Screw
72	412501			Gasket-Flange
ACCESSORIES				
-	7028131			Vapor Canister
-	7026014			Filter Element-Canister
-	7026014			Canister Filter Assembly
-	7040452	7040452	7040350	EGR Valve (Except Vista Cruiser)
-	-	7040452	7040528	EGR Valve (Vista Cruiser) & Omega M/T

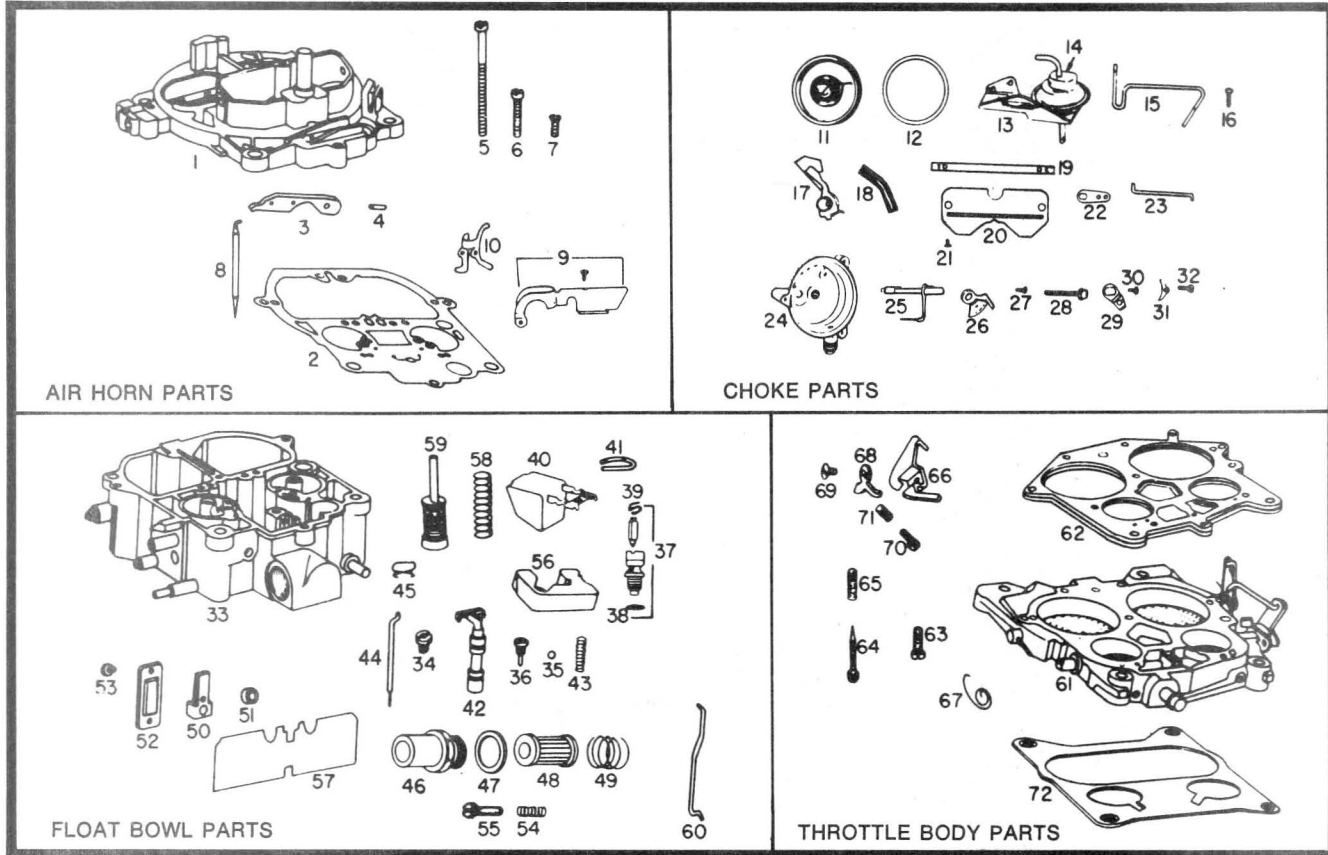


455 ENGINE WITH 4 BC

1973 ROCHESTER CARBURETOR MODEL 4MC

1973 OLDSMOBILE CUTLASS

PARTS SHOWN ARE FOR IDENTIFICATION ONLY. CONSULT PARTS LIST FOR CORRECT PART NAME AND NUMBER.



PARTS IN ALL COLUMNS SAME — EXCEPT WHERE INDICATED

	CUTLASS AUTO. TRANS.	CUTLASS MAN. TRANS.	APPLICATION
	7043251	7043253	CARBURETOR No.
	17054803	17054806	REPLACEMENT PACKAGE No.
	7046764	7046765	OVERHAUL KIT
	7039258		POWER CARBURETOR KIT
	7046766		GASKET SET
Illus. No.			
1	7046890	7046890	Air Horn Assembly
2	7029087		Gasket—Air Horn
3	7048169		Lever—Pump Actuating
4	9428787		Roll Pin—Pump & Lockout Lever Hinge
5	7029912		Screw—Air Horn
6	7014699		Screw—Air Horn
7	7031105		Screw—Air Horn
8	7045779	7045781	Metering Rod—Secondary
9	7034522		Sec. Metering Rod Holder Kit
10	7037968		Lever—Air Valve Lockout
—	7035344		Air Valve Spring & Cam Kit
—	7030753		Air Valve Stop
11	7036881	7036948	Stat Cover, Coil & Gasket Assy.
12	7002760		Gasket—Stat Cover
13	7047499		Vacuum Break Control & Brkt. Assy.
14	7040031		Vacuum Break Control Assy.
15	7038305		Rod—Vacuum

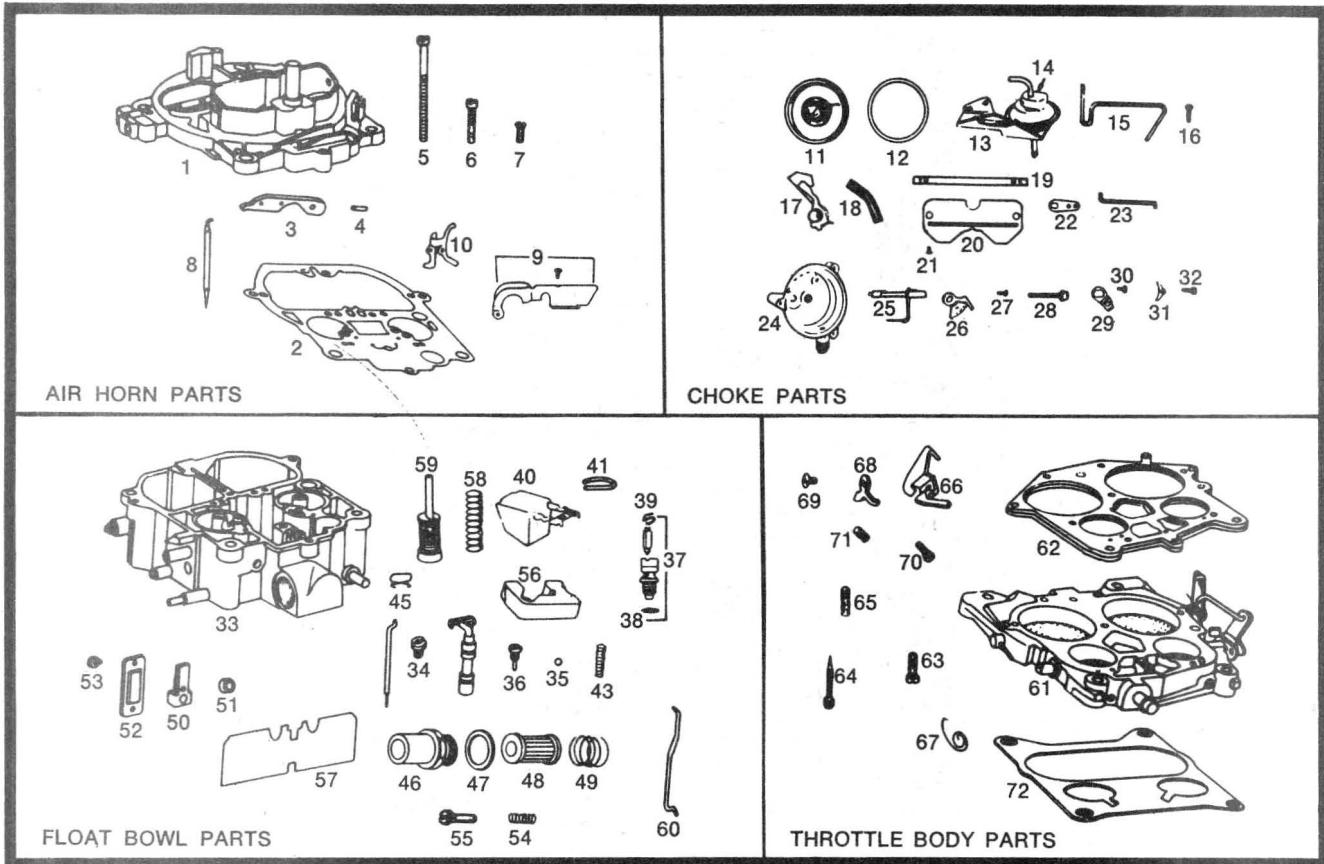
Illus. No.	7043251	7043253	CARBURETOR No.
CHOKE PARTS (Continued)			
16	7038581		Screw—Control Attaching
17	7035199		Cam—Fast Idle
18	7026339		Hose—Vacuum
19	7038259		Choke Shaft
20	7045665		Choke Valve
21	7029866		Screw—Choke Valve
22	7031231		Lever—Intermediate Choke
23	7038269		Rod—Choke
24	7046760	7036963	Choke Housing Assembly
25	7038282		Inter. Choke Shaft & Lever Assy.
—	7037569		Seal—Inter. Choke Shaft
—	7030662		Seal—Choke Hsg. to Bowl
26	7038285		Lever—Stat Coil
27	7019709		Screw—Coil Lever
28	7038808		Screw—Choke Hsg. to Bowl
29	7038301		Lever—Choke
30	7029866		Screw—Choke Lever
31	7000614		Retainer—Stat Cover
32	7011270		Screw—Stat Cover
FLOAT BOWL PARTS			
33	7046757	7046759	Float Bowl Assembly
34	7031969	7031971	Jet—Primary
35	7002117		Ball—Pump Discharge
36	7029849		Retainer—Pump Discharge Ball
37	7035142		Needle & Seat Assy.
38	KIT ONLY		Gasket—Needle Seat
39	7033751		Pull Clip—Float Needle
40	7034454		Float Assembly
41	7029856		Hinge Pin—Float Assembly
42	7040163	7034903	Power Piston Assembly
43	7040498	7040498	Spring—Power Piston—Primary
—	7040162	—	Spring—Power Piston—Secondary
44	7047907	7034850	Metering Rod—Primary
45	7029862		Spring—Metering Rod—Primary
46	7045878		Filter Nut—Fuel Inlet
47	7024281		Gasket—Filter Nut
48	5650906		Filter—Fuel Inlet
49	7032732		Spring—Fuel Filter
50	—		Idle Compensator Assembly
51	—		Gasket—Idle Compensator
52	—		Cover—Idle Compensator
53	—		Screw—Cover Attaching
54	7003176		Spring—Idle Stop Screw
55	7002121		Screw—Idle Stop
56	7034361		Insert—Float Bowl
57	7031365		Baffle—Float Bowl
58	7043600		Spring—Pump Return
59	7035031		Pump Assembly
60	7026138		Rod Assembly
—	7030735	7030735	Solenoid—Idle Stop
—	7030602	7030602	Bracket & Washer—Solenoid
—	7042653	7042653	Locking Washer—Retainer Nut
—	7042654	7042654	Nut—Solenoid Retaining
—	7030567	7030567	Screw—Bracket Attaching
THROTTLE BODY PARTS			
61	7046761	7046763	Throttle Body Assembly
62	KIT ONLY		Gasket—Throttle Body
63	7035790		Screw—Throttle Body
64	7041716		Idle Needle & Limiter Kit
65	7011479		Spring—Idle Needle
—	7042801		Limiter Cap—Idle Needle
66	7038298		Lever—Cam Follower
67	7035772		Spring—Cam Lever
68	7035998		Fast Idle Lever
69	7035523		Screw—Fast Idle Lever
70	7044794		Screw—Fast Idle Adjusting
71	7029900		Spring—Fast Idle Screw
72	412501		Gasket—Flange
ACCESSORIES			
—	7028131		Vapor Canister
—	7026014		Filter Element—Canister
—	7026014		Canister Filter Assembly
—	7040452	7040350	EGR Valve

350 ENGINE WITH 4 BC

1974 ROCHESTER CARBURETOR MODEL 4MC

1974 OLDS, CUTLASS & OMEGA

PARTS SHOWN ARE FOR IDENTIFICATION ONLY. CONSULT PARTS LIST FOR CORRECT PART NAME AND NUMBER.



PARTS IN ALL COLUMNS SAME — EXCEPT WHERE INDICATED

	1974	1974	YEAR	
	CUTLASS A/T	OLDS & VISTA CRSR. A/T	OMEGA ALL	APPLICATION
	7043250	7043256	7043255	CARBURETOR No.
	17054803	17054803	7047357	REPLACEMENT PACKAGE No.
	7046764	7046764	7046764	OVERHAUL KIT
	7039258			POWER CARBURETOR KIT
	7046766			GASKET SET
Illus. No.	AIR HORN PARTS			
1	7046890			Air Horn Assembly
2	7029087			Gasket—Air Horn
3	7048169			Lever—Pump Actuating
4	9428787			Roll Pin—Pump & Lockout Lever Hinge
5	7029912			Screw—Air Horn
6	7014699			Screw—Air Horn
7	7031105			Screw—Air Horn
8	7045778	7045781	7045778	Metering Rod—Secondary
9	7034522			Sec. Metering Rod Holder
10	7037968			Lever—Air Valve Lockout
-	7035344			Air Valve Spring & Cam Kit
-	7030753			Air Valve Stop
	CHOKE PARTS			
11	7036948			Stat Cover, Coil & Gasket Assy.
12	7002760			Gasket—Stat Cover

illus. No.	7043250	7043256	7043255	CARBURETOR No.
CHOKE PARTS (Continued)				
13	7047493			Vacuum Break Control & Brkt. Assy.
14	7040100			Vacuum Break Control Assy.
15	7038305			Rod—Vacuum
16	7038581			Screw—Control Attaching
17	7035199			Cam—Fast Idle
18	7026339			Hose—Vacuum
19	7038259			Choke Shaft
20	7045665			Choke Valve
21	7029866			Screw—Choke Valve
22	7031231			Lever—Intermediate Choke
23	7038269			Rod—Choke
24	7036880			Choke Housing Assembly
25	7038282			Inter. Choke Shaft & Lever Assy.
—	7037569			Seal—Inter. Choke Shaft
—	7030662			Seal—Choke Hsg. to Bowl
26	7038285			Lever—Stat Coil
27	7019709			Screw—Coil Lever
28	7038808			Screw—Choke Hsg. to Bowl
29	7038301			Lever—Choke
30	7029866			Screw—Choke Lever
31	7000614			Retainer—Stat Cover
32	7011270			Screw—Stat Cover
FLOAT BOWL PARTS				
33	7046757			Float Bowl Assembly
34	7031969	7031969	7031969	Jet—Primary
35	7002117			Ball—Pump Discharge
36	7029849			Retainer—Pump Discharge Ball
37	7035142			Needle & Seat Assy.
38	KIT ONLY			Gasket—Needle Seat
39	7033751			Pull Clip—Float Needle
40	7034454			Float Assembly
41	7029856			Hinge Pin—Float Assembly
42	7040163			Power Piston Assembly
43	7040498			Spring—Power Piston—Primary
—	7040162	7040162	7040162	Spring—Power Piston—Secondary
44	7047907	7047907	7047907	Metering Rod—Primary
45	7029862			Spring—Metering Rod—Primary
46	7045878			Filter Nut—Fuel Inlet
47	7024281			Gasket—Filter Nut
48	5650906			Filter—Fuel Inlet
49	7032732			Spring Fuel Filter
50	7035906			Idle Compensator Assembly
51	KIT ONLY			Gasket—Idle Compensator
52	7035049			Cover—Idle Compensator
53	7020926			Screw—Cover Attaching
54	7003176			Spring—Idle Stop Screw
55	7002121			Screw—Idle Stop
56	7034361			Insert—Float Bowl
57	7031365			Baffle—Float Bowl
58	7043600			Spring—Pump Return
59	7035031			Pump Assembly
60	7026138			Rod Assembly
—	7030735			Solenoid—Idle Stop
—	7030602			Bracket & Washer—Solenoid
—	7042653			Locking Washer—Retainer Nut
—	7042654			Nut—Solenoid Retaining
—	7030567			Screw—Bracket Attaching
THROTTLE BODY PARTS				
61	7046761	7046761	7046813	Throttle Body Assembly
62	KIT ONLY			Gasket—Throttle Body
63	7035790			Screw—Throttle Body
64	7048532			Idle Needle
65	7011479			Spring—Idle Needle
66	7038298			Lever—Cam Follower
67	7035772			Spring—Cam Lever
68	7035998			Fast Idle Lever
69	7036523			Screw—Fast Idle Lever
70	7044794			Screw—Fast Idle Adjusting
71	7029900			Spring—Fast Idle Screw
72	412501			Gasket—Flange

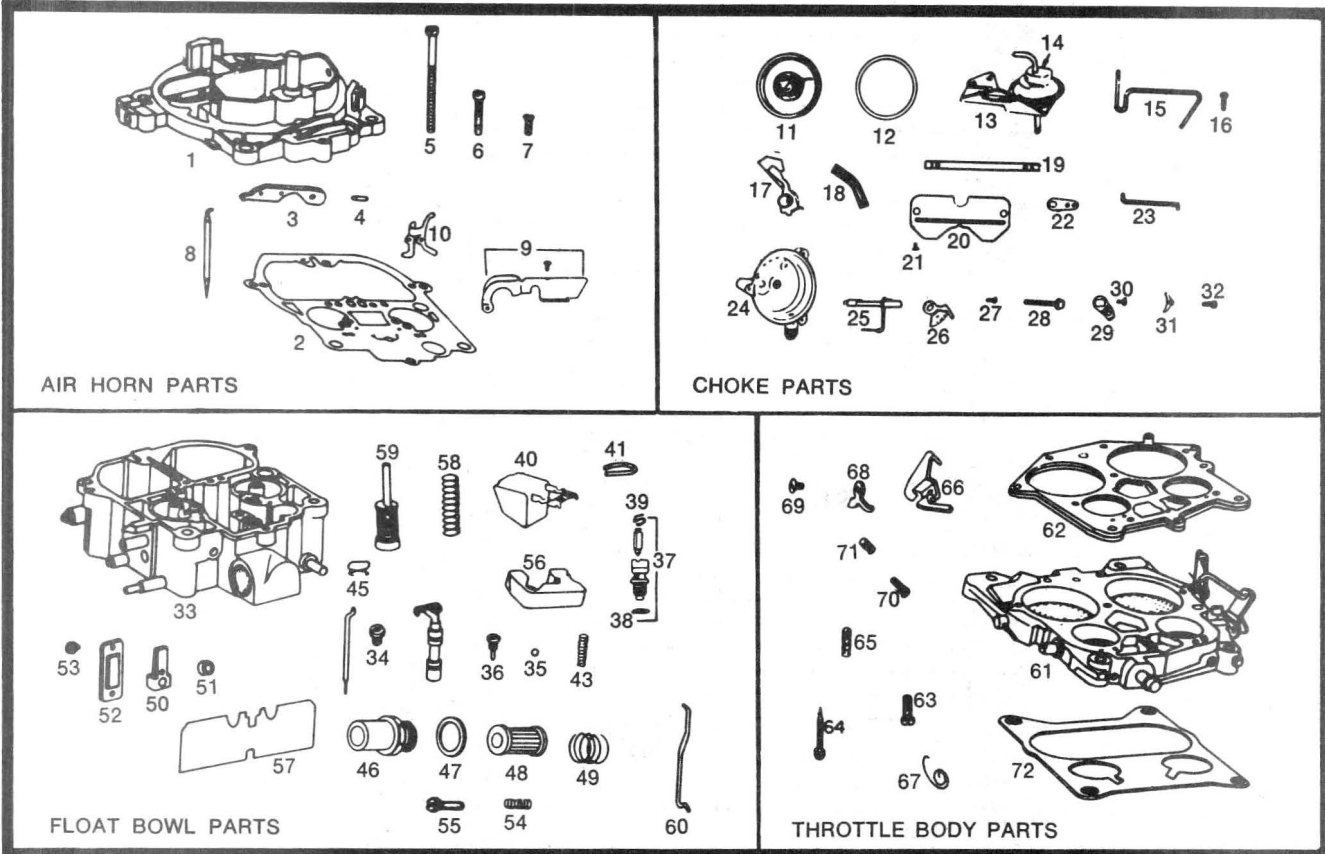


455 ENGINE WITH 4 BC

1974 ROCHESTER CARBURETOR MODEL 4MC QUADRAJET

1974 OLDSMOBILE

PARTS SHOWN ARE FOR IDENTIFICATION ONLY. CONSULT PARTS LIST FOR CORRECT PART NAME AND NUMBER.



PARTS IN ALL COLUMNS SAME — EXCEPT WHERE INDICATED

	OLDS & CUTLASS	CUTLASS HI PERF. ALL	APPLICATION
	7043251	7044559	CARBURETOR No.
	17054803	7047454	REPLACEMENT PACKAGE No.
	7046764	17050686	OVERHAUL KIT
	7039258		POWER CARBURETOR KIT
Illus. No.	7046766		GASKET SET
	AIR HORN PARTS		
1	7046890		Air Horn Assembly
2	7029087		Gasket—Air Horn
3	7048169		Lever—Pump Actuating
4	9428787		Roll Pin—Pump & Lockout Lever Hinge
5	7029912		Screw—Air Horn
6	7014699		Screw—Air Horn
7	7031105		Screw—Air Horn
8	7045779	7045781	Metering Rod—Secondary
9	7034522		Sec. Metering Rod Holder Kit
10	7037968		Lever—Air Valve Lockout
—	7035344		Air Valve Spring & Cam Kit
—	7030753		Air Valve Stop
	CHOKE PARTS		
11	7036881	7036948	Stat Cover, Coil & Gasket Assy.
12	7002760		Gasket—Start Cover
13	7047499	7047499	Vacuum Break Control & Brkt. Assy.
14	7040031	7040031	Vacuum Break Control Assy.
15	7038305		Rod—Vacuum

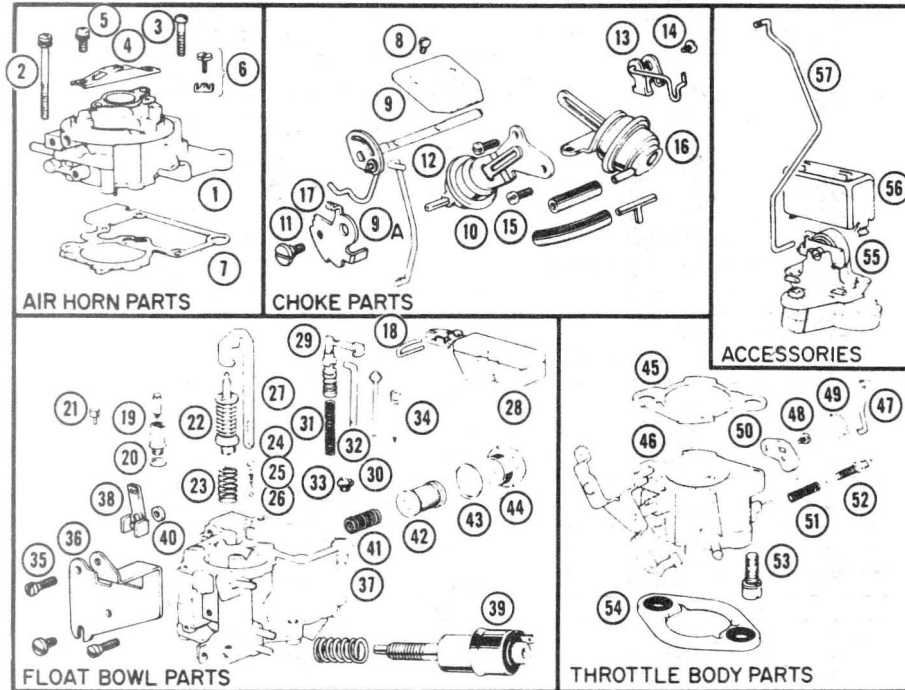


	7043251	7044559	CARBURETOR No.
Illus. No.	CHOKE PARTS (Continued)		
16	7038581		Screw—Control Attaching
17	7035199		Cam—Fast Idle
18	7026339		Hose—Vacuum
19	7038259		Choke Shaft
20	7045665		Choke Valve
21	7029866		Screw—Choke Valve
22	7031231		Lever—Intermediate Choke
23	7038269		Rod—Choke
24	7046760	7036963	Choke Housing Assembly
25	7038282		Inter. Choke Shaft & Lever Assy.
—	7037569		Seal—Inter. Choke Shaft
—	7030662		Seal—Choke Hsg. to Bowl
26	7038285		Lever—Stat Coil
27	7019709		Screw—Coil Lever
28	7038808		Screw—Choke Hsg. to Bowl
29	7038301		Lever—Choke
30	7029866		Screw—Choke Lever
31	7000614		Retainer—Stat Cover
32	7011270		Screw—Stat Cover
	FLOAT BOWL PARTS		
33	7046757	7046759	Float Bowl Assembly
34	7031969	7031969	Jet—Primary
35	7002117		Ball—Pump Discharge
36	7029849		Retainer—Pump Discharge Ball
37	7035142		Needle & Seat Assy.
38	KIT ONLY		Gasket—Needle Seat
39	7033751		Pull Clip—Float Needle
40	7034454		Float Assembly
41	7029856		Hinge Pin—Float Assembly
42	7040163	7034903	Power Piston Assembly
43	7040498	7040162	Spring—Power Piston—Primary
—	7040162	—	Spring—Power Piston—Secondary
44	7047907	7034849	Metering Rod—Primary
45	7029862		Spring—Metering Rod—Primary
46	7045878		Filter Nut—Fuel Inlet
47	7024281		Gasket—Filter Nut
48	5650906		Filter—Fuel Inlet
49	7032732		Spring Fuel Filter
50	—		Idle Compensator Assembly
51	—		Gasket—Idle Compensator
52	—		Cover—Idle Compensator
53	—		Screw—Cover Attaching
54	7003176		Spring—Idle Stop Screw
55	7002121		Screw—Idle Stop
56	7034361		Insert—Float Bowl
57	7031365		Baffle—Float Bowl
58	7041169		Spring—Pump Return
59	7035031		Pump Assembly
60	7026138		Rod Assembly
—	7030735		Solenoid—Idle Stop
—	7030602		Bracket & Washer—Solenoid
—	7042653		Locking Washer—Retainer Nut
—	7042654		Nut—Solenoid Retaining
—	7030567		Screw—Bracket Attaching
	THROTTLE BODY PARTS		
61	7046761	7046763	Throttle Body Assembly
62	KIT ONLY		Gasket—Throttle Body
63	7035790		Screw—Throttle Body
64	7048532		Idle Needle
65	7011479		Spring—Idle Needle
66	7038298		Lever—Cam Follower
67	7035772		Spring—Cam Lever
68	7035998		Fast Idle Lever
69	7035523		Screw—Fast Idle Lever
70	7044794		Screw—Fast Idle Adjusting
71	7029900		Spring—Fast Idle Screw
72	412501		Gasket—Flange



250 ENGINE WITH 1BC
1975 ROCHESTER CARBURETOR MODEL MV MONOJET
1975 OLDSMOBILE CUTLASS

PARTS SHOWN ARE FOR IDENTIFICATION ONLY. CONSULT PARTS LIST FOR CORRECT PART NAME AND NUMBER



PARTS IN ALL COLUMNS SAME — EXCEPT WHERE INDICATED

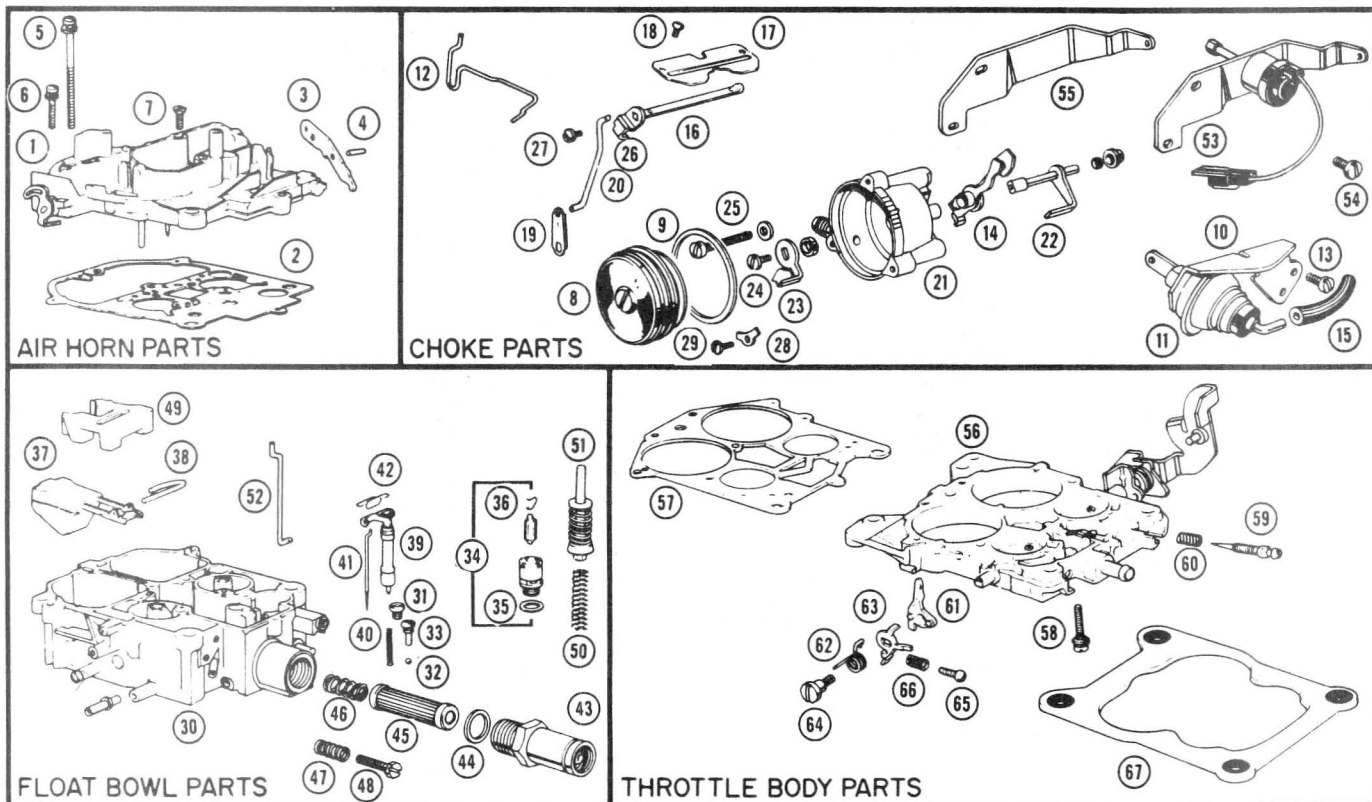
	AUTOMATIC TRANS.	MANUAL TRANS.	APPLICATION
	7045012	7045013	CARBURETOR No.
	17054291	7047523	REPLACEMENT PACKAGE No.
	17051892	17051891	OVERHAUL KIT
	7039248		POWER CARBURETOR KIT
	7046679		GASKET SET
Illus. No.	AIR HORN PARTS		
1	17050834		Air Horn Assembly
2	7043089		Screw—Air Horn (Long)
3	7030917		Screw—Air Horn (Short)
4	7043588		Bracket—Air Cleaner Stud
5	7042813		Screw—Bracket Attaching
6	—		Idle Vent Valve Kit
7	7035166		Gasket—Air Horn
	CHOKE PARTS		
8	7020926		Screw—Choke Valve
9	17052251		Choke Valve
9A	7043122		Link—Vacuum Break—Sec.
10	7043127		Vac. Break Control—Sec.
11	7003561		Screw—Cam Attaching
12	7043099		Choke Shaft, Lever & Link
13	17051769		Choke Lever & Link
14	7019709		Screw—Choke Lever
15	7043095		Screw—Vac. Break Bracket
16	17052250		Vacuum Break Control Assembly—Pri.
—	7026339		Hose—Vac. Break
17	17052358		Cam—Fast Idle

	7045012	7045013	CARBURETOR No.
Illus. No.	FLOAT BOWL PARTS		
18	7034032		Hinge Pin—Float
19	7035133		Needle and Seat Assembly
20	KIT ONLY		Gasket—Needle Seat
21	—		Power Valve
22	7037597		Pump Assembly
23	7041176		Spring—Pump Return
24	7003838		Guide—Pump Discharge
25	7002118		Spring—Pump Discharge
26	7002117		Ball—Pump Discharge
27	7042670		Lever—Pump Actuating
28	7037022		Float Assembly
29	7037804		Power Piston Assembly
30	17052051		Metering Rod & Spring Assembly
31	7034360	7036280	Spring—Power Piston
32	7024215		Rod—Power Piston
33	7034206		Jet—Main Metering
34	17051328	17052340	Idle Tube Assembly
35	7041287		Screw—Bracket (2)
—	17050024		Screw—Bracket (1)
36	17050025		Bracket—Throttle Return Spring
37	17050697	17052727	Float Bowl Assembly
38	7035870		Idle Compensator Assembly
39	7043575		Solenoid—Idle Stop
40	7027970		Gasket—Idle Compensator
41	7032732		Spring—Fuel Filter
42	5651393		Filter—Fuel Inlet
43	7032508		Gasket—Filter Nut
44	7038946		Filter Nut—Fuel Inlet
	THROTTLE BODY PARTS		
45	KIT ONLY		Gasket—Throttle Body
46	17052059		Throttle Body Assembly
47	7037855		Link—Pump Lever
48	7030917		Screw—Lever Attaching
49	7024214		Link—Power Piston Rod
50	7024216		Lever—Pump and Power Rods
51	7038989		Spring—Idle Needle
52	7048964		Idle Needle
53	7043087		Screw—Throttle Body
54	333977		Insulator—Flange
	ACCESSORIES		
55	17052651		Manifold Stat Coil Assembly
56	17051424		Cover—Manifold Stat Coil
57	7043516		Link—Manifold Stat Coil



260 ENGINE WITH 2BC
1975 ROCHESTER CARBURETOR MODEL 2MC
1975 OLDSMOBILE CUTLASS

PARTS SHOWN ARE FOR IDENTIFICATION ONLY. CONSULT PARTS LIST FOR CORRECT PART NAME AND NUMBER



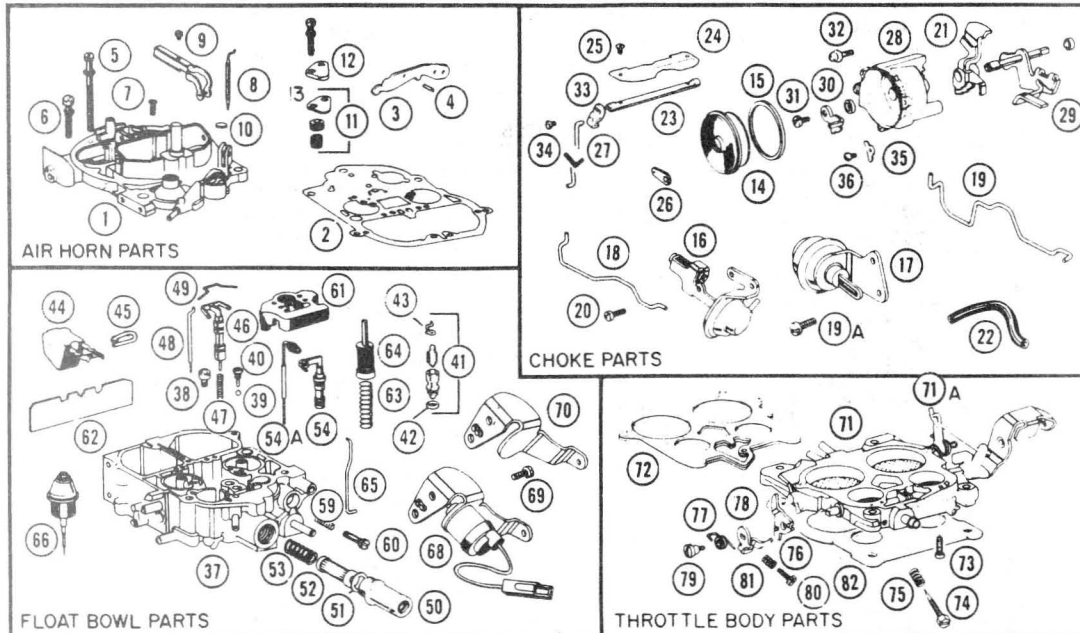
PARTS IN ALL COLUMNS SAME — EXCEPT WHERE INDICATED

	AIR COND.	NON AIR COND.	NON AIR COND.	
	AUTO. TRANS.	MAN. TRANS.	AUTO. TRANS.	
				APPLICATION
	7045156	7045297	7045298	CARBURETOR No.
	17054644	17054646	17054644	REPLACEMENT PACKAGE No.
	17050698	17050698	17050698	OVERHAUL KIT
	7039270			POWER CARBURETOR KIT
	17051893			GASKET SET
Illus. No	AIR HORN PARTS			
1	17052186			Air Horn Assembly
2	7029087			Gasket—Air Horn
3	7048169			Lever—Pump Actuating
4	9428787			Roll Pin—Pump & Lockout Lever Hinge
5	7029912			Screw—Air Horn
6	7014699			Screw—Air Horn
7	7031105			Screw—Air Horn
	CHOKE PARTS			
8	17052585			Stat Cover, Coil & Gasket Assy.
9	17050961			Gasket—Start Cover
10	7046468	17051027		Vacuum Break Control & Brkt. Assy.
11	17052191	17051025		Vacuum Break Control Assy.
12	7038305			Rod—Vacuum

	7045156	7045297	7045298	CARBURETOR No.
	CHOKE PARTS (Continued)			
13	7038581			Screw—Control Attaching
14	17051019			Cam—Fast Idle
15	7026339			Hose—Vacuum
16	7038259			Choke Shaft
17	7045665			Choke Valve
18	7029866			Screw—Choke Valve
19	7031231			Lever—Intermediate Choke
20	7038269			Rod—Choke
21	7036880		17052500	Choke Housing Kit
22	7038282			Inter. Choke Shaft & Lever Assy.
—	7037569			Seal—Inter. Choke Shaft
—	7043367			Seal—Choke Hsg. to Bowl
23	7038285			Lever—Stat Coil
24	7019709			Screw—Coil Lever
25	7038808			Screw—Choke Hsg. to Bowl
26	7038301			Lever—Choke
27	7029866			Screw—Choke Lever
28	7000614			Retainer—Stat Cover
29	7011270			Screw—Stat Cover
	FLOAT BOWL PARTS			
30	17051895			Float Bowl Assembly
31	7031969	7031961		Jet—Primary
32	7002117			Ball—Pump Discharge
33	7029849			Retainer—Pump Discharge Ball
34	7035142			Needle & Seat Assy.
35	KIT ONLY			Gasket—Needle Seat
36	7033751			Pull Clip—Float Needle
37	7046301			Float Assembly
38	7029856			Hinge Pin—Float Assembly
39	7040163			Power Piston Assembly
40	17051705			Spring—Power Piston—Primary
41	7048742	7034834		Metering Rod—Primary
42	7029862			Spring—Metering Rod—Primary
43	7045878			Filter Nut—Fuel Inlet
44	7024281			Gasket—Filter Nut
45	5650906			Filter—Fuel Inlet
46	7032732			Spring Fuel Filter
47	7003176			Spring—Idle Stop Screw
48	3960392			Screw—Idle Stop
49	7034361			Insert—Float Bowl
50	7041169			Spring—Pump Return
51	17051563	17053044		Pump Assembly
52	7026138			Rod Pump
53	7043625	NONE	NONE	Solenoid & Bracket Assy.
54	7030567			Screw—Bracket Attaching
55	NONE	7043624	7043624	Bracket—Throttle Return
	THROTTLE BODY PARTS			
56	17051896			Throttle Body Assembly
57	KIT ONLY			Gasket—Throttle Body
58	7035790			Screw—Throttle Body
59	7048532			Idle Needle
60	7011479			Spring—Idle Needle
61	7038298			Lever—Cam Follower
62	7035772			Spring—Cam Lever
63	7035998			Fast Idle Lever
64	7035523			Screw—Fast Idle Lever
65	7044794			Screw—Fast Idle Adjusting
66	7029900			Spring—Fast Idle Screw
67	419047			Gasket—Flange

350 ENGINE WITH 4BC
1975 ROCHESTER CARBURETOR MODEL M4MCA
1975 OLDSMOBILE CUTLASS

PARTS SHOWN ARE FOR IDENTIFICATION ONLY. CONSULT PARTS LIST FOR CORRECT PART NAME AND NUMBER



PARTS IN ALL COLUMNS SAME — EXCEPT WHERE INDICATED

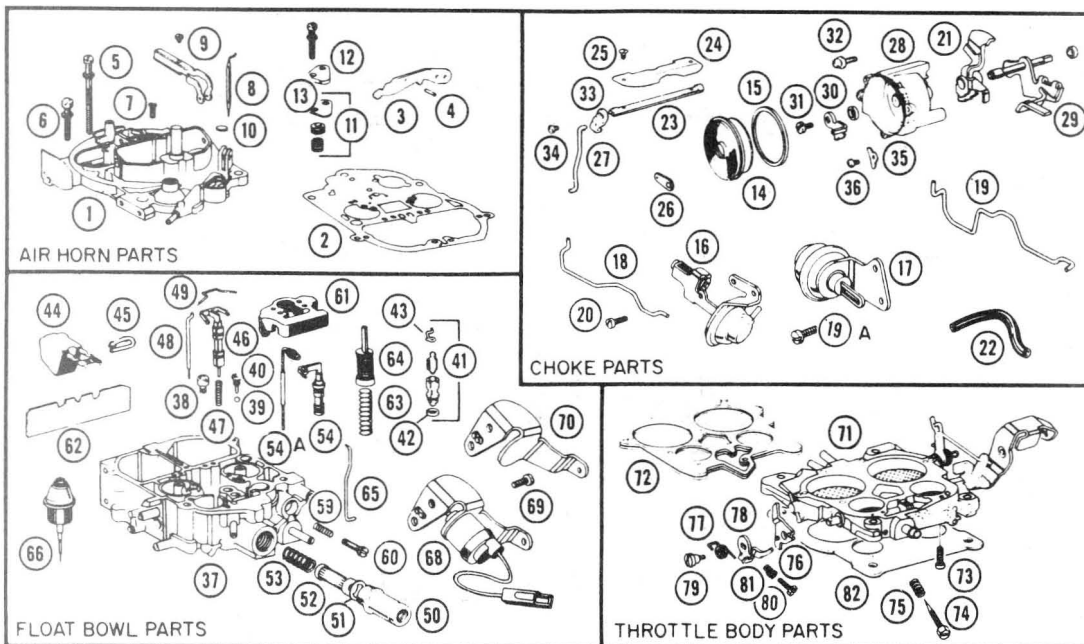
	CUTLASS DELTA A/T AIR CON. WITH CATALYTIC CON.	CUTLASS DELTA A/T NON A/C WITH CATALYTIC CON.	OMEGA AUTO. TRANS.	CUTLASS DELTA A/T AIR CON. EXC. CATALYTIC CON.	CUTLASS DELTA A/T NON A/C EXC. CATALYTIC CON.	APPLICATION
	7045183	7045250	7045246	7045483	7045550	CARBURETOR No.
	17054808	7047550	7047546	7047509	7047553	REPLACEMENT PACKAGE No.
	17051905	17051905	17051968	17051954	17051954	OVERHAUL KIT
	7039271	7039271	7039275	7039271	7039271	POWER CARBURETOR KIT
	17051904	17051904	17051967	17051904	17051904	GASKET SET
Illus. No.	AIR HORN PARTS					
1	17051957	17051957	7043002	17051957	17051957	Air Horn Assembly
2	7043363					Gasket—Air Horn
3	7048169					Lever—Pump Actuating
4	9428787					Roll Pin—Pump & Lockout Lever Hinge
5	7029912					Screw—Air Horn
6	7014699					Screw—Air Horn
7	7031105					Screw—Air Horn
8	7045984	7045779	7045986	7045984	7045984	Metering Rod—Secondary
9	7034522					Sec. Metering Rod Holder Kit
—	7035344					Air Valve Spring & Cam Kit
10	7037801					Plug—Idle Vent
11	17052760	17052760	NONE	17052760	17052760	Idle—Vent Valve Kit
12	7041538	7041538	NONE	7041538	7041538	Cover—Idle Vent
13	7041539	7041539	NONE	7041539	7041539	Gasket—Idle Vent Cover
	CHOKE PARTS					
14	17051956	17051956	17051964	17051956	17051956	Stat Cover, Coil & Gasket Assy.
15	17050961					Gasket—Start Cover
16	7043469	7043469	17051261	7043469	7043469	Vacuum Break Control & Brkt. Assy.
17	17050733	17050733	17050742	17050733	17050733	Aux—Vacuum Break Control, Brkt. Assy.
18	7041527					Rod—Vacuum Break
19	7043466	7043466	17050738	7043466	7043466	Link—Aux. Vac. Break
19A	7043682					Screw—Aux. Vac. Brk. Mounting



	7045183	7045250	7045246	7045483	7045550	CARBURETOR No.
	CHOKE PARTS (Continued)					
Illus. No.						
20	17050732					Screw—Control Attaching
21	7041484	7041484	17052371	17051458	17051458	Cam—Fast Idle
22	7026339					Hose—Vacuum
23	7038259					Choke Shaft
24	7048904					Choke Valve
25	7029866					Screw—Choke Valve
26	7031231					Lever—Intermediate Choke
27	7041472					Rod—Choke
28	17051955	17051955	17051970	17051955	17051955	Choke Housing Kit
29	7041492	7041492	17050754	7041492	7041492	Inter. Choke Shaft & Lever Assy.
—	7037569					Seal—Inter. Choke Shaft
—	7043367					Seal—Choke Hsg. to Bowl
30	7043368					Lever—Stat Coil
31	7019709					Screw—Coil Lever
32	7038808					Screw—Choke Hsg. to Bowl
33	7041542					Lever—Choke
34	7029866					Screw—Choke Lever
35	7000614					Retainer—Stat Cover
36	7011270					Screw—Stat Cover
	FLOAT BOWL PARTS					
37	17051953	17051953	17051965	17051902	17051902	Float Bowl Assembly
38	7031967	7031970	7031970	7031970	7031970	Jet—Primary
39	7002117					Ball—Pump Discharge
40	7029849					Retainer—Pump Discharge Ball
41	7035134	7035134	7035150	7035134	7035134	Needle & Seat Assy.
42	KIT ONLY					Gasket—Needle Seat
43	7033751					Pull Clip—Float Needle
44	7046300	7041468	7041468	7046300	7041468	Float Assembly
45	7041469					Hinge Pin—Float Assembly
46	7041460					Power Piston Assembly
47	7040498	7041459	7041477	7041477	7041477	Spring—Power Piston—Primary
—	7037298	7037298	7029529	7029922	7029922	Spring—Power Piston—Aux.
48	7043541	7043542	7043543	7043545	7043545	Metering Rod—Primary
49	7041459	7041459	7041459	7041459	7043536	Spring—Metering Rod—Primary
50	7044951					Filter Nut—Fuel Inlet
51	7024281					Gasket—Filter Nut
52	5650906					Filter—Fuel Inlet
53	7032732	7032732	7034356	7032732	7032732	Spring Fuel Filter
54	7041474					Aux. Power Piston Assy.
54-A	—					Aux. Met Rod & Spring Assy.
55	—					Idle Compensator Assembly
56	—					Gasket—Idle Compensator
57	—					Cover—Idle Compensator
58	—					Screw—Cover Attaching
59	7003176					Spring—Idle Stop Screw
60	3960392					Screw—Idle Stop
61	7041471					Insert—Float Bowl
62	7031365					Baffle—Float Bowl
63	7042979					Spring Pump Return
64	7048867	7048867	17051117	7048867	7048867	Pump Assembly
65	7026138					Rod—Pump
66	17053048	17053048	17053047	17053048	17053048	A. P. T. Rod Assembly
67	—					Aneroid Assembly
68	7043619	NONE	NONE	7043619	NONE	Solenoid & Bracket Assy.
69	7043682	7043682	NONE	7043682	7043682	Screw—Bracket Attaching
70	NONE	7043617	NONE	NONE	7043617	Bracket—Throttle Return Spring
	THROTTLE BODY PARTS					
71	17051487	17051487	17052121	17052139	17052139	Throttle Body Assembly
71A	NONE	7041473	NONE	NONE	NONE	Lockout Lever—Secondary
72	KIT ONLY					Gasket—Throttle Body
73	7035790					Screw—Throttle Body
74	7048532			7048532	7048532	Idle Needle
75	7011479					Spring—Idle Needle
76	7041497					Lever—Cam Follower
77	17051494					Spring—Cam Lever
78	7041498					Fast Idle Lever
79	7036079	7036079	7030917	7036079	7036079	Screw—Fast Idle Lever
80	7044794					Screw—Fast Idle Adjusting
81	7029900					Spring—Fast Idle Screw
82	419047	419047	1248516	419047	419047	Gasket—Flange

455 ENGINE WITH 4BC
1975 ROCHESTER CARBURETOR MODEL M4MC
1975 CUTLASS

PARTS SHOWN ARE FOR IDENTIFICATION ONLY, CONSULT PARTS LIST FOR CORRECT PART NAME AND NUMBER



PARTS IN ALL COLUMNS SAME — EXCEPT WHERE INDICATED

	455. CU. IN. TORONADO	455 CU. IN. A/T NON A/C WITH CATALYTIC CON.	455 CU. IN. A/T AIR COND. WITH CATALYTIC CON.	455 CU. IN. A/T NON A/C EXC CATALYTIC CON.	400 CU. IN. A/T AIR COND. EXC. CATALYTIC CON.	APPLICATION
	7045185	7045251	7045184	7045551	7045484	CARBURETOR No.
	7047508	7047551	17054808	7047557	7047515	REPLACEMENT PACKAGE NO.
	17051905	17051905	17051905	17051954	17051905	OVERHAUL KIT
	7039271					POWER CARBURETOR KIT
	17051904					GASKET SET
Illus.No.	AIR HORN PARTS					
1	17051952	17051952	17051952	17051899	17051899	Air Horn Assembly
2	7043363					Gasket—Air Horn
3	7048169					Lever—Pump Actuating
4	9428787					Roll Pin—Pump & Lockout Lever Hinge
5	7029912					Screw—Air Horn
6	7014699					Screw—Air Horn
7	7031105					Screw—Air Horn
8	7045779					Metering Rod—Secondary
9	7034522					Sec. Metering Rod Holder Kit
-	7035344					Air Valve Spring & Cam Kit
10	7037801	7037801	7037801	7037801	NONE	Plug—Idle Vent
11	17052760					Idle—Vent Valve Kit
12	7041538					Cover—Idle Vent
13	7041539					Gasket—Idle Vent Cover
	CHOKE PARTS					
14	17051900					Stat Cover, Coil & Gasket Assy.
15	17050961					Gasket—Start Cover
16	7043469					Vacuum Break Control & Brkt. Assy.
17	17050733					Aux. Vac. Brk. Control & Brkt. Assy.
18	7041527					Rod—Vacuum Break
19	7043466					Link—Aux. Vac. Break
19A	7043682					Screw—Aux. Vac. Brk. Mounting



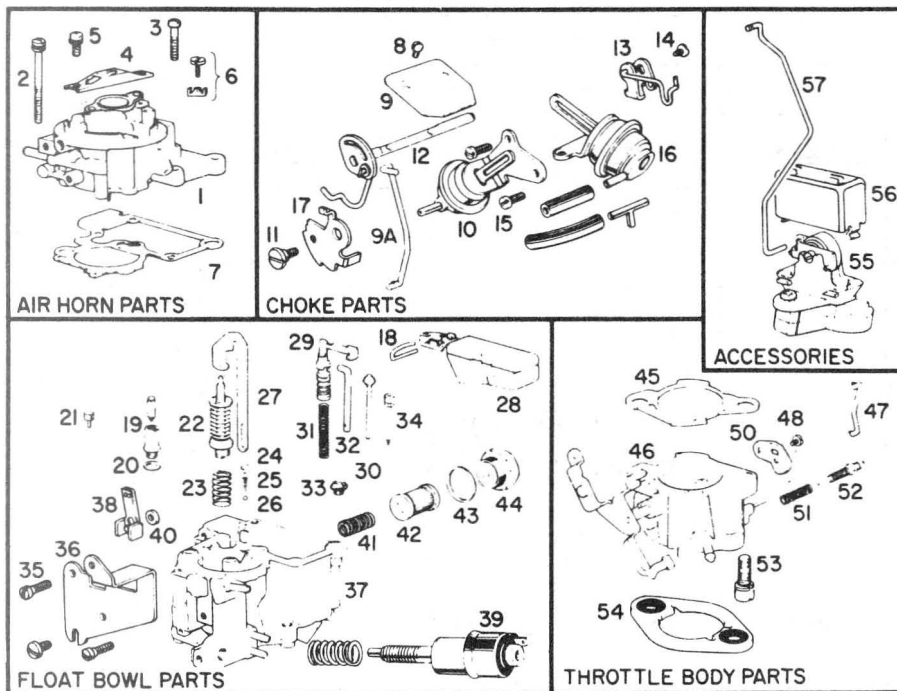
Illus. No.	7045185	7045251	7045184	7045551	7045484	CARBURETOR No.
CHOKE PARTS CONT.						
20	17050732					Screw—Control Attaching
21	17051244	17051244	17051244	17051458	17051458	Cam—Fast Idle
22	7026339					Hose—Vacuum
23	7038259					Choke—Shaft
24	7048904					Choke—Valve
25	7029866					Screw—Choke Valve
26	7031231					Lever—Intermediate Choke
27	7041472					Rod—Choke
28	17051903	17051901	17051901	17051901	17051903	Choke—Housing Kit
29	7041492					Inter. Choke Shaft & Lever Assy.
—	7037569					Seal—Inter. Choke Shaft
—	7043367					Seal—Choke Hsg. to Bowl
30	7043368					Lever—Stat Coil
31	7019709					Screw—Coil Lever
32	7038808					Screw—Choke Hsg. to Bowl
33	7041542					Lever—Choke
34	7029866					Screw—Choke Lever
35	7000614					Retainer—Stat Cover
36	7011270					Screw—Stat Cover
FLOAT BOWL PARTS						
37	17051953	17051953	17051953	17051902	17051902	Float Bowl Assembly
38	7031970	7031970	7031966	7031970	7031970	Jet—Primary
39	7002117					Ball—Pump Discharge
40	7029849					Retainer—Pump Discharge Ball
41	7035134					Needle & Seat Assy.
42	KIT ONLY					Gasket—Needle Seat
43	7033751					Pull Clip—Float Needle
44	7046300	7041468	7046300	7041468	7046300	Float Assembly
45	7041469					Hinge Pin—Float Assembly
46	7041460					Power Piston Assembly
47	7041477	7040498	7040498	7041477	7041477	Spring—Power Piston—Primary
—	7036019	7037298	7037298	7029922	7029922	Spring—Power Piston—Aux.
48	7043543	7043542	7043541	7043544	7043544	Metering Rod—Primary
49	7041459					Spring—Metering Rod—Primary
50	7044951					Filter Nut—Fuel Inlet
51	7024281					Gasket—Filter Nut
52	5650906					Filter—Fuel Inlet
53	7032732					Spring—Fuel Filter
54	7041474					Aux. Power Piston Assy.
54-A	—					Aux. Met Rod & Spring Assy.
55	—					Idle Compensator Assembly
56	—					Gasket—Idle Compensator
57	—					Cover—Idle Compensator
58	—					Screw—Cover Attaching
59	7003176					Spring—Idle Stop Screw
60	3960392					Screw—Idle Stop
61	7041471					Insert—Float Bowl
62	7031365					Baffle—Float Bowl
63	7042979					Spring—Pump Return
64	7048867					Pump Assembly
65	7026138					Rod—Pump
66	7049892	17053048	17053048	17053048	17053048	A.P.T. Rod Assembly
67	—	—	—	—	—	Aneroid Assembly
68	7043620	NONE	7043619	NONE	7043619	Solenoid & Bracket Assy.
69	7043682					Screw Bracket Attaching
70	NONE	7043617	NONE	7043617	NONE	Bracket—Throttle Return Spring
THROTTLE BODY PARTS						
71	7043008	17052045	17052045	17052151	17052151	Throttle Body Assembly
72	KIT ONLY					Gasket—Throttle Body
73	7035790					Screw—Throttle Body
74	7048532					Idle Needle
75	7011479					Spring—Idle Needle
76	7041497					Lever—Cam Follower
77	17051494					Spring—Cam Lever
78	7041498					Fast Idle Lever
79	7036079					Screw—Fast Idle Lever Attaching
80	7044794					Screw—Fast Idle Adjusting
81	7029900					Spring—Fast Idle Screw
82	419047					Gasket—Flange



250 ENGINE

1976 ROCHESTER CARBURETOR MODEL MV

PARTS SHOWN ARE FOR IDENTIFICATION ONLY. CONSULT PARTS LIST FOR CORRECT PART NAME AND NUMBER



PARTS IN ALL COLUMNS SAME - EXCEPT WHERE INDICATED

	AUTOMATIC TRANS. EXC. AIR COND.	MANUAL TRANS. WITH AIR COND.	MANUAL TRANS. EXC. AIR COND.	AUTO TRANS. WITH AIR COND.	APPLICATION
	17056012	17056015	17056013	17056018	CARBURETOR No.
	17054290	17054201	17052913	17054290	REPLACEMENT PACKAGE No.
	17052899	17052970	17052898	17052899	OVERHAUL KIT
	7039296				POWER CARBURETOR KIT
	17052889				GASKET SET
Illus. No.	AIR HORN PARTS				
1	17053407				Air Horn Assembly
2	7043089				Screw—Air Horn (Long)
3	7030917				Screw—Air Horn (Short)
4	7043588				Bracket—Air Cleaner Stud
5	7042813				Screw—Bracket Attaching
6	—				Idle Vent Valve Kit
7	7035166				Gasket—Air Horn
	CHOKE PARTS				
8	7020926				Screw—Choke Valve
9	17052251				Choke Valve
9A	7043131				Choke Rod
10	7043127				Vac. Break Control—Sec.
11	7003561				Screw—Cam Attaching
12	7043099				Choke Shaft, Lever & Link
13	17051769				Choke Lever & Link
14	7019709				Screw—Choke Lever
15	7043095				Screw—Vac. Break Bracket
16	17052250				Vacuum Break Control Assembly—Pri.
—	7026339				Hose—Vac. Break
17	17052358				Cam—Fast Idle



250 ENGINE

1976 ROCHESTER CARBURETOR MODEL MV

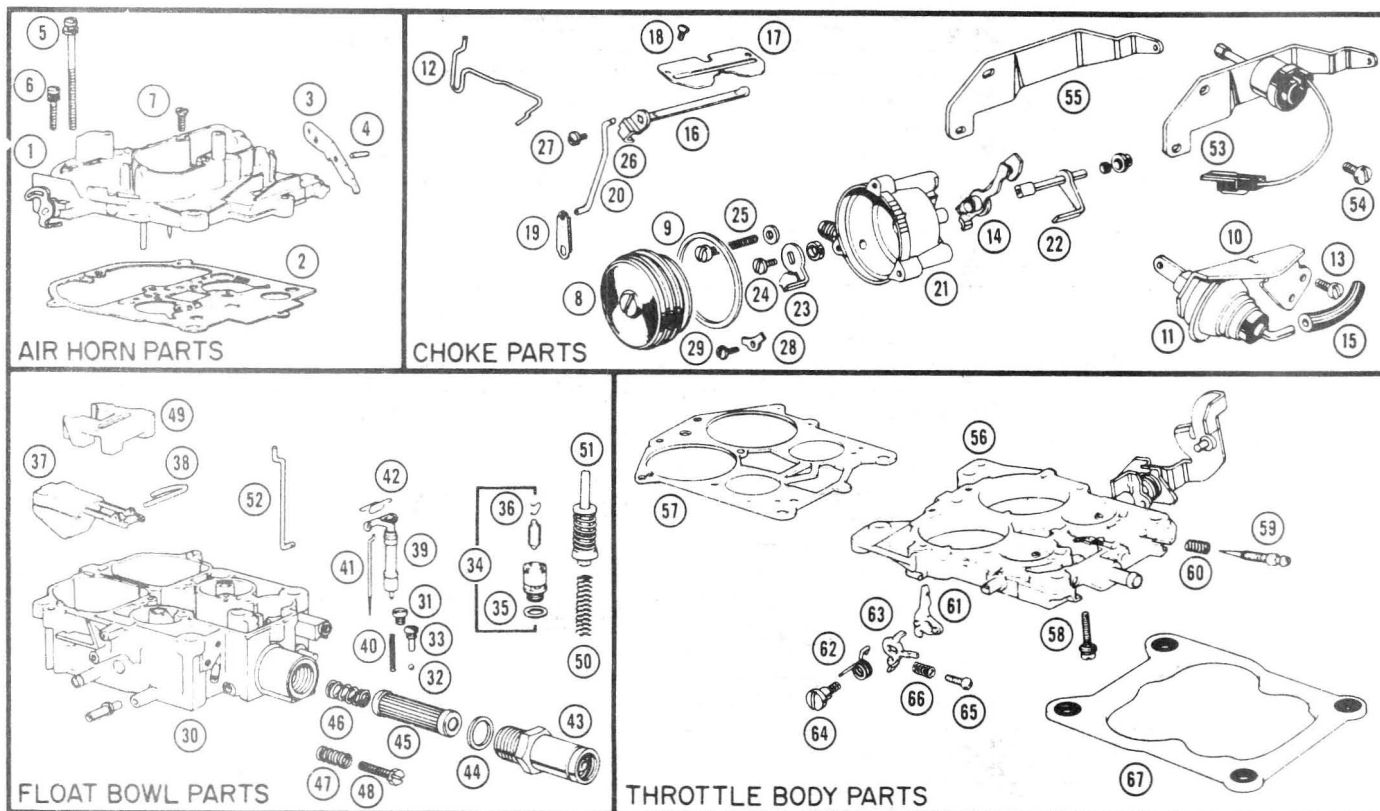
	17056012	17056015	17056013	17056018	CARBURETOR No.
Illus. No.			FLOAT BOWL PARTS		
18	7034032				Hinge Pin—Float
19	7035133				Needle and Seat Assembly
20	KIT ONLY				Gasket—Needle Seat
21	—				Power Valve
22	7037595				Pump Assembly
23	7041176				Spring—Pump Return
24	7003838				Guide—Pump Discharge
25	7002118				Spring—Pump Discharge
26	7002117				Ball—Pump Discharge
27	7042670				Lever—Pump Actuating
28	7037022				Float Assembly
29	7035889	7037804	7037804	7037804	Power Piston Assembly
30	17052052	17053016	7043775	17052052	Metering Rod & Spring Assemb
31	7034360	7036280	7034360	7036280	Spring—Power Piston
32	7024215				Rod—Power Piston
33	7034203	7034202	7034203	7034203	Jet—Main Metering
34	17052347	17052338	17052338	17052347	Idle Tube Assembly
35	7041287				Screw—Bracket (2)
—	17050024				Screw—Bracket (1)
36	17050025				Bracket—Throttle Return Sprin
37	17053909	17053910	17052896	17054017	Float Bowl Assembly
38	—	7035870	—	7035870	Idle Compensator Assembly
39	7043575				Solenoid—Idle Stop
40	KIT ONLY	7027970	—	KIT ONLY	Gasket—Idle Compensator
41	7032732				Spring—Fuel Filter
42	5651802				Filter—Fuel Inlet
43	7032508				Gasket—Filter Nut
44	7038946				Filter Nut—Fuel Inlet
			THROTTLE BODY PARTS		
45	KIT ONLY				Gasket—Throttle Body
46	17053529				Throttle Body Assembly
47	7035267				Link—Pump Lever
48	7010435				Screw—Lever Attaching
—	—	7024214	—	7024214	Link, Power Rod
50	7024216				Lever—Pump and Power Rods
51	7038989				Spring—Idle Needle
52	7048964				Idle Needle
53	7043087				Screw—Throttle Body
54	333977				Insulator—Flange
			ACCESSORIES		
55	17052651				Manifold Stat Coil Assembly
56	17051424				Cover—Manifold Stat Coil
57	7043516				Link—Manifold Stat Coil



260 ENGINE WITH 2BC

1976 ROCHESTER CARBURETOR MODEL 2MC
 1976 OLDSMOBILE CUTLASS

PARTS SHOWN ARE FOR IDENTIFICATION ONLY. CONSULT PARTS LIST FOR CORRECT PART NAME AND NUMBER



PARTS IN ALL COLUMNS SAME EXCEPT WHERE INDICATED

	AIR COND.	NON AIR COND.	NON AIR COND.	
	AUTO. TRANS.	MAN. TRANS.	AUTO. TRANS.	
	17056156	17056157	17056158	CARBURETOR No.
	17053870	17054646	17053870	REPLACEMENT PACKAGE No.
	17052857	17052858	17052857	OVERHAUL KIT
	7039292	7039291	7039292	POWER CARBURETOR KIT
	17052856			GASKET SET
Illus. No	AIR HORN PARTS			
1	17052186			Air Horn Assembly
2	7029087			Gasket—Air Horn
3	7048169			Lever—Pump Actuating
4	9428787			Roll Pin—Pump & Lockout Lever Hinge
5	7029912			Screw—Air Horn
6	7014699			Screw—Air Horn
7	7031105			Screw—Air Horn
	CHOKE PARTS			
8	17052585			Stat Cover, Coil & Gasket Assy.
9	17050961			Gasket—Start Cover
10	7046468	17051027	7046468	Vacuum Break Control & Brkt. Assy.
11	17052191	17051025	17052191	Vacuum Break Control Assy.
12	7038305			Rod—Vacuum

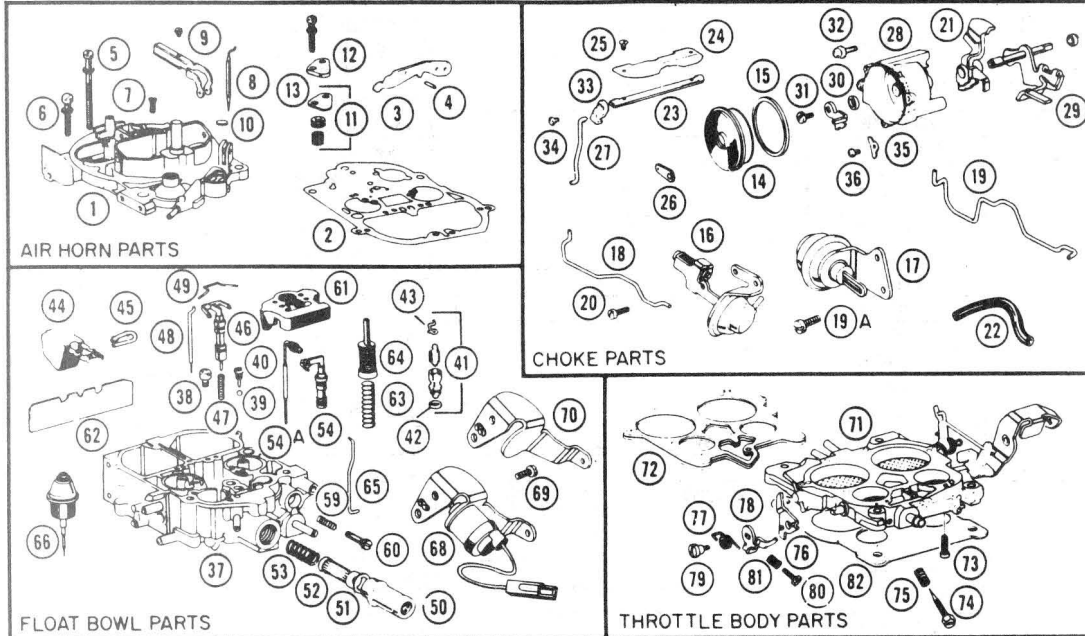


	17056156	17056157	1706158	CARBURETOR No.
CHOKE PARTS (Continued)				
Illus. No.				
13	7038581			Screw—Control Attaching
14	17051019			Cam—Fast Idle
15	7026339			Hose—Vacuum
16	7038259			Choke Shaft
17	7045665			Choke Valve
18	7029866			Screw—Choke Valve
19	7031231			Lever—Intermediate Choke
20	7038269			Rod—Choke
21	17052500			Choke Housing Kit
22	7038282			Inter. Choke Shaft & Lever Assy.
—	7037569			Seal—Inter. Choke Shaft
—	7043367			Seal—Choke Hsg. to Bowl
23	7038285			Lever—Stat Coil
24	7019709			Screw—Coil Lever
25	7038808			Screw—Choke Hsg. to Bowl
26	7038301			Lever—Choke
27	7029866			Screw—Choke Lever
28	7000614			Retainer—Stat Cover
29	7011270			Screw—Stat Cover
FLOAT BOWL PARTS				
30	17052831			Float Bowl Assembly
31	7031965	7031961	7031965	Jet—Primary
32	7002117			Ball—Pump Discharge
33	7029849			Retainer—Pump Discharge Ball
34	7035142			Needle & Seat Assy.
35	KIT ONLY			Gasket—Needle Seat
36	7033751			Pull Clip—Float Needle
37	7046301			Float Assembly
38	7029856			Hinge Pin—Float Assembly
39	7040163			Power Piston Assembly
40	17051705			Spring—Power Piston—Primary
41	7048742	7034834	7048742	Metering Rod—Primary
42	7029862			Spring—Metering Rod—Primary
43	7045878			Filter Nut—Fuel Inlet
44	7024281			Gasket—Filter Nut
45	5651803			Filter—Fuel Inlet
46	7032732			Spring Fuel Filter
47	7003176			Spring—Idle Stop Screw
48	7002121			Screw—Idle Stop
49	7034361			Insert—Float Bowl
50	7042979			Spring—Pump Return
51	7048867	7048874	7048867	Pump Assembly
52	7026138			Rod Pump
53	7043625	NONE	NONE	Solenoid & Bracket Assy.
54	7030567			Screw—Bracket Attaching
55	NONE	NONE	7043624	Bracket—Throttle Return
THROTTLE BODY PARTS				
56	17053901			Throttle Body Assembly
57	KIT ONLY			Gasket—Throttle Body
58	7035790			Screw—Throttle Body
59	7048532			Idle Needle
60	7011479			Spring—Idle Needle
61	7038298			Lever—Cam Follower
62	7035772			Spring—Cam Lever
63	7035998			Fast Idle Lever
64	7035523			Screw—Fast Idle Lever
65	7044794			Screw—Fast Idle Adjusting
66	7029900			Spring—Fast Idle Screw
67	419047			Gasket—Flange

350 ENGINE WITH 4BC

1976 ROCHESTER CARBURETOR MODEL M4MCA
1976 OLDSMOBILE CUTLASS

PARTS SHOWN ARE FOR IDENTIFICATION ONLY. CONSULT PARTS LIST FOR CORRECT PART NAME AND NUMBER



PARTS IN ALL COLUMNS SAME — EXCEPT WHERE INDICATED

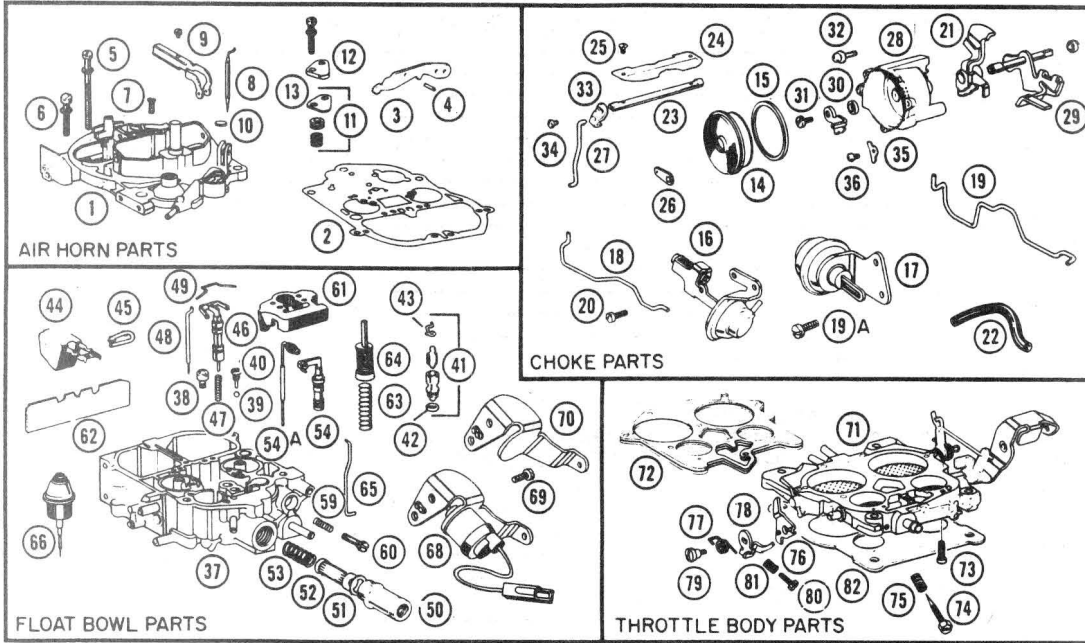
	CUTLASS DELTA A T AIR COND. WITH CATALYTIC CONVERTER EXC. 2.41 REAR AXLE	CUTLASS DELTA A T NON A C WITH CATALYTIC CONVERTER	CUTLASS DELTA A T AIR COND. EXC. CATALYTIC CONVERTER	CUTLASS DELTA A T NON A C EXC. CATALYTIC CONVERTER OR 2.41 REAR AXLE	2.41 REAR AXLE EXC. AIR COND.	2.41 REAR AXLE WITH AIR COND.	APPLICATION
	17056253	17056250	17056553	17056550	17056258	17056259	CARBURETOR No.
	17053874	17053874	17053875	17053875	17054316	17054316	REPLACEMENT PACKAGE No.
	17052866	17052866	17052867	17052867	17052866	17052866	OVERHAUL KIT
	7039293						POWER CARBURETOR KIT
	17052865						GASKET SET
Illus. No.	AIR HORN PARTS						
1	17051952	17051952	17053043	17053043	17054247	17054247	Air Horn Assembly
2	7043363						Gasket—Air Horn
3	7048169						Lever—Pump Actuating
4	9428787						Roll Pin—Pump & Lockout Lever Hinge
5	7029912						Screw—Air Horn
6	7014699						Screw—Air Horn
7	7031105						Screw—Air Horn
8	7045984						Metering Rod—Secondary
9	7034522						Sec. Metering Rod Holder Kit
—	7035344						Air Valve Spring & Cam Kit
10	NONE	NONE	7037801	7037801	7037801	7037801	Plug—Idle Vent
11	NONE	NONE	17052760	17052760	17052760	17052760	Idle—Vent Valve Kit
12	NONE	NONE	7041538	7041538	7041538	7041538	Cover—Idle Vent
13	NONE	NONE	7041539	7041539	7041539	7041539	Gasket—Idle Vent Cover
	CHOKE PARTS						
14	17051956	17051956	17051956	17051956	17054309	17051956	Stat Cover, Coil & Gasket Assy.
15	17050961						Gasket—Stat Cover
16	7043469						Vacuum Break Control & Brkt. Assy.
17	17050733						Aux—Vacuum Break Control, Brkt. Assy.
18	7041527						Rod—Vacuum Break
19	7043466						Link—Aux. Vac. Break
19A	7043682						Screw—Aux. Vac. Brk. Mounting

	17056253	17056250	17056553	17056550	17056258	17056259	CARBURETOR No.	
	CHOKE PARTS (Continued)							
Illus. No.	17050732						Screw—Control Attaching	
20	7041484	7041484	17051244	17051244	7041484	7041484	Cam—Fast Idle	
21	7026339						Hose—Vacuum	
22	7038259						Choke Shaft	
23	7048904						Choke Valve	
24	7029866						Screw—Choke Valve	
25	7031231						Lever—Intermediate Choke	
26	7041472						Rod—Choke	
27	17051955						Choke Housing Kit	
28	7041492						Inter. Choke Shaft & Lever Assy.	
29	7037569						Seal—Inter. Choke Shaft	
—	7043367						Seal—Choke Hsg. to Bowl	
30	7043368						Lever—Stat Coil	
31	7019709						Screw—Coil Lever	
32	7038808						Screw—Choke Hsg. to Bowl	
33	7041542						Lever—Choke	
34	7029866						Screw—Choke Lever	
35	7000614						Retainer—Stat Cover	
36	7011270						Screw—Stat Cover	
	FLOAT BOWL PARTS							
37	17051953	17051953	17051902	17051902	17051953	17051953	Float Bowl Assembly	
38	7031967	7031967	7031970	7031970	7031967	7031967	Jet—Primary	
39	7002117						Ball—Pump Discharge	
40	7029849						Retainer—Pump Discharge Ball	
41	7035134						Needle & Seat Assy.	
42	KIT ONLY						Gasket—Needle Seat	
43	7033751						Pull Clip—Float Needle	
44	7046300	7041468	7046300	7041468	7046300	7043600	Float Assembly	
45	7041469						Hinge Pin—Float Assembly	
46	7041460						Power Piston Assembly	
47	7040498	7040498	7041477	7041477	7040498	7040498	Spring—Power Piston—Primary	
—	7037298	7037298	7029922	7029922	7037298	7037298	Spring—Power Piston—Aux.	
48	7043541	7043541	7043545	7043545	7043541	7043541	Metering Rod—Primary	
49	7041459	7041459	7041459	7043536	7041459	7041459	Spring—Metering Rod—Primary	
50	7044951						Filter Nut—Fuel Inlet	
51	7024281						Gasket—Filter Nut	
52	5651803						Filter—Fuel Inlet	
53	7032732						Spring Fuel Filter	
54	7041474						Aux. Power Piston Assy.	
54-A	—	17052816	—	17052816	17052816	17052816	Aux. Met Rod & Spring Assy.	
55	—						Idle Compensator Assembly	
56	—						Gasket—Idle Compensator	
57	—						Cover—Idle Compensator	
58	—						Screw—Cover Attaching	
59	7003176						Spring—Idle Stop Screw	
60	7002121						Screw—Idle Stop	
61	7041471						Insert—Float Bowl	
62	7031365						Baffle—Float Bowl	
63	7042979						Spring Pump Return	
64	7048867						Pump Assembly	
65	7026138						Rod—Pump	
66	17053048						A. P. T. Rod Assembly	
67	—						Aneroid Assembly	
68	7043619	NONE	7043619	NONE	NONE	7043619	Solenoid & Bracket Assy.	
69	7043682						Screw—Bracket Attaching	
70	NONE	7043617	NONE	7043617	7043617	NONE	Bracket—Throttle Return Spring	
	THROTTLE BODY PARTS							
71	17051487	17051487	17052139	17052139	17052045	17052045	Throttle Body Assembly	
71A	NONE	7041473	NONE	NONE			Lockout Lever—Secondary	
72	KIT ONLY						Gasket—Throttle Body	
73	7035790						Screw—Throttle Body	
74	7048532		7048532	7048532			Idle Needle	
75	7011479						Spring—Idle Needle	
76	7041497						Lever—Cam Follower	
77	17051494						Spring—Cam Lever	
78	7041498						Fast Idle Lever	
79	7036079						Screw—Fast Idle Lever	
80	7044794						Screw—Fast Idle Adjusting	
81	7029900						Spring—Fast Idle Screw	
82	419047						Gasket—Flange	

455 ENGINE WITH 4BC

1976 ROCHESTER CARBURETOR MODEL M4MC
1976 CUTLASS

PARTS SHOWN ARE FOR IDENTIFICATION ONLY, CONSULT PARTS LIST FOR CORRECT PART NAME AND NUMBER



PARTS IN ALL COLUMNS SAME – EXCEPT WHERE INDICATED

	455 CU. IN. EXC. CATALYTIC CONVERTER OR AC	455 CU. IN. EXC. CATALYTIC CONVERTER OR AC	
	17056251	17056551	CARBURETOR No.
	17054808	17053879	REPLACEMENT PACKAGE No.
	17052866	17052867	OVERHAUL KIT
	7039293		POWER CARBURETOR KIT
	17052865		GASKET SET
AIR HORN PARTS			
1	17051952	17052153	Air Horn Assembly
2	7043363		Gasket—Air Horn
3	7048169		Lever—Pump Actuating
4	9428787		Roll Pin—Pump & Lockout Lever Hinge
5	7029912		Screw—Air Horn
6	7014699		Screw—Air Horn
7	7031105		Screw—Air Horn
8	7045983		Metering Rod—Secondary
9	7034522		Sec. Metering Rod Holder Kit
—	7035344		Air Valve Spring & Cam Kit
10	7037801	7037801	Plug—Idle Vent
11	NONE	17052760	Idle—Vent Valve Kit
12	7041538	7041538	Cover—Idle Vent
13	7041539	7041539	Gasket—Idle Vent Cover
CHOKE PARTS			
14	17051900		Stat. Cover, Coil & Gasket Assy.
15	17050961		Gasket—Start Cover
16	7043469		Vacuum Break Control & Brkt. Assy.
17	17050733		Aux. Vac. Brk. Control & Brkt. Assy.
18	7041527		Rod—Vacuum Break
19	7043466		Link—Aux. Vac. Break
19A	7043682		Screw—Aux. Vac. Brk. Mounting

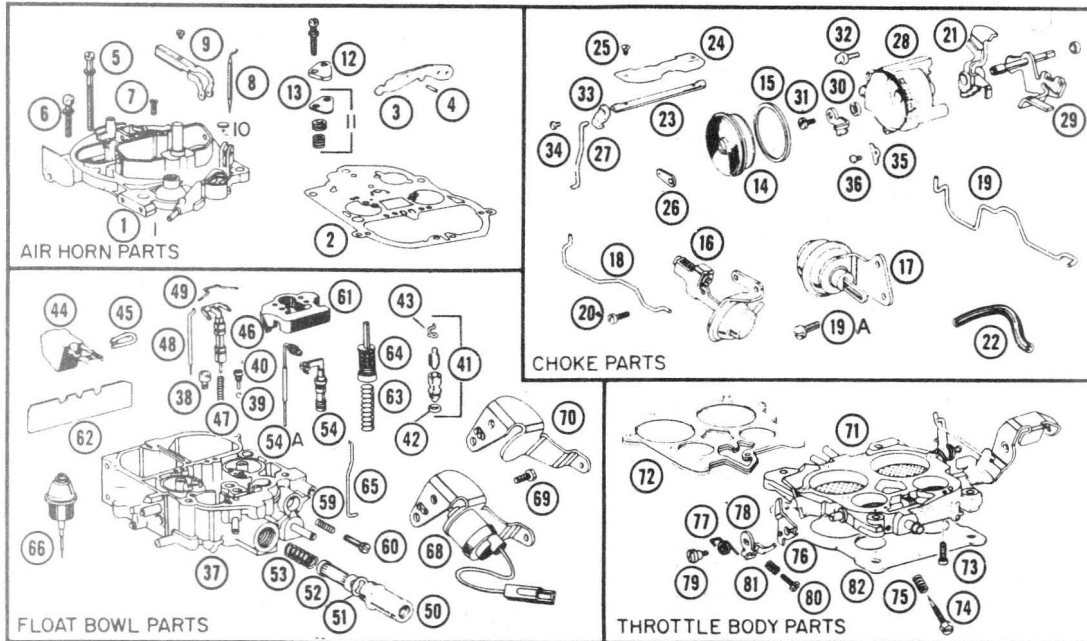
Illus. No.	17056251	17056551	CARBURETOR No.
CHOKE PARTS CONT.			
20	17050732		Screw—Control Attaching
21	17051244		Cam—Fast Idle
22	7026339		Hose—Vacuum
23	7038259		Choke—Shaft
24	7048904		Choke—Valve
25	7029866		Screw—Choke Valve
26	7031231		Lever—Intermediate Choke
27	7041472		Rod—Choke
28	17051901		Choke—Housing Kit
29	7041492		Inter. Choke Shaft & Lever Assy
—	7037569		Seal—Inter. Choke Shaft
—	7043367		Seal—Choke Hsg. to Bowl
30	7043368		Lever—Stat Coil
31	7019709		Screw—Coil Lever
32	7038808		Screw—Choke Hsg. to Bowl
33	7041542		Lever—Choke
34	7029866		Screw—Choke Lever
35	7000614		Retainer—Stat Cover
36	7011270		Screw—Stat Cover
FLOAT BOWL PARTS			
37	17051953	17053904	Float Bowl Assembly
38	7031970	7031969	Jet—Primary
39	7002117		Ball—Pump Discharge
40	7029849		Retainer—Pump Discharge Ball
41	7035134		Needle & Seat Assy.
42	KIT ONLY		Gasket—Needle Seat
43	7033751		Pull Clip—Float Needle
44	7046300		Float Assembly
45	7041469		Hinge Pin—Float Assembly
46	7041460		Power Piston Assembly
47	7040498	7041477	Spring—Power Piston—Primary
—	7037298	7029922	Spring—Power Piston—Aux.
48	7043542	7043545	Metering Rod—Primary
49	7041459		Spring—Metering Rod—Primary
50	7044951		Filter Nut—Fuel Inlet
51	7024281		Gasket—Filter Nut
52	5651803		Filter—Fuel Inlet
53	7032732		Spring—Fuel Filter
54	7041474		Aux. Power Piston Assy.
54A	17052816		Aux. Met Rod & Spring Assy.
55	—		Idle Compensator Assembly
56	—		Gasket—Idle Compensator
57	—		Cover—Idle Compensator
58	—		Screw—Cover Attaching
59	7003176		Spring—Idle Stop Screw
60	3960332		Screw—Idle Stop
61	7041471		Insert—Float Bowl
62	7031365		Baffle—Float Bowl
63	7042979		Spring—Pump Return
64	7048867		Pump Assembly
65	7026138		Rod—Pump
66	17053048		A.P.T. Rod Assembly
67	—		Aneroid Assembly
68	NONE	NONE	Solenoid & Bracket Assy.
69	7043682		Screw Bracket Attaching
70	7043617		Bracket—Throttle Return Spring
THROTTLE BODY PARTS			
71	17052045	17052151	Throttle Body Assembly
72	KIT ONLY		Gasket—Throttle Body
73	7035790		Screw—Throttle Body
74	7048532		Idle Needle
75	7011479		Spring—Idle Needle
76	7041497		Lever—Cam Follower
77	17051494		Spring—Cam Lever
78	7041498		Fast Idle Lever
79	7036079		Screw—Fast Idle Lever Attaching
80	7044794		Screw—Fast Idle Adjusting
81	7029900		Spring—Fast Idle Screw
82	419047		Gasket—Flange



455 ENGINE WITH 4BC

1976 ROCHESTER CARBURETOR MODEL M4MC
 1976 CUTLASS

PARTS SHOWN ARE FOR IDENTIFICATION ONLY, CONSULT PARTS LIST FOR CORRECT PART NAME AND NUMBER



PARTS IN ALL COLUMNS SAME — EXCEPT WHERE INDICATED

Illus. No.	455 CU. IN. w/AC AND CATALYTIC CONVERTER	455 CU. IN. — w/AC, EXC. CATALYTIC CONVERTER	APPLICATION
	17056256	17056556	CARBURETOR No.
	17054808	17053879	REPLACEMENT PACKAGE No.
	17052866	17052867	OVERHAUL KIT
	7039293		POWER CARBURETOR KIT
17052865		GASKET SET	
	AIR HORN PARTS		
1	17051952	17052153	Air Horn Assembly
2	7043363		Gasket—Air Horn
3	7048169		Lever—Pump Actuating
4	9428787		Roll Pin—Pump & Lockout Lever Hinge
5	7029912		Screw—Air Horn
6	7014699		Screw—Air Horn
7	7031105		Screw—Air Horn
8	7045983		Metering Rod—Secondary
9	7034522		Sec. Metering Rod Holder Kit
—	7035344		Air Valve Spring & Cam Kit
10	NONE	7037801	Plug—Idle Vent
11	NONE	17052760	Idle—Vent Valve Kit
12	NONE	7041538	Cover—Idle Vent
13	NONE	7041539	Gasket—Idle Vent Cover
	CHOKE PARTS		
14	17051900		Stat. Cover, Coil & Gasket Assy.
15	17050961		Gasket—Start Cover
16	7043469		Vacuum Break Control & Brkt. Assy.
17	17050733		Aux. Vac. Brk. Control & Brkt. Assy.
18	7041527		Rod—Vacuum Break
19	7043466		Link—Aux. Vac. Break
19A	7043682		Screw—Aux. Vac. Brk. Mounting

	17056256	17056556	CARBURETOR No.
	CHOKE PARTS CONT.		
Illus.No.			
20	17050732		Screw—Control Attaching
21	17051244	17051458	Cam—Fast Idle
22	7026339		Hose—Vacuum
23	7038259		Choke—Shaft
24	7048904		Choke—Valve
25	7029866		Screw—Choke Valve
26	7031231		Lever—Intermediate Choke
27	7041472		Rod—Choke
28	17051901	17051901	Choke—Housing Kit
29	7041492		Inter. Choke Shaft & Lever Assy
—	7037569		Seal—Inter. Choke Shaft
—	7043367		Seal—Choke Hsg. to Bowl
30	7043368		Lever—Stat Coil
31	7019709		Screw—Coil Lever
32	7038808		Screw—Choke Hsg. to Bowl
33	7041542		Lever—Choke
34	7029866		Screw—Choke Lever
35	7000614		Retainer—Stat Cover
36	7011270		Screw—Stat Cover
	FLOAT BOWL PARTS		
37	17051953	17053904	Float Bowl Assembly
38	7031970	7031969	Jet—Primary
39	7002117		Ball—Pump Discharge
40	7029849		Retainer—Pump Discharge Ball
41	7035134		Needle & Seat Assy.
42	KIT ONLY		Gasket—Needle Seat
43	7033751		Pull Clip—Float Needle
44	7046300		Float Assembly
45	7041469		Hinge Pin—Float Assembly
46	7041460		Power Piston Assembly
47	7040498	7041477	Spring—Power Piston—Primary
—	7037298	7029922	Spring—Power Piston—Aux.
48	7043542	7043545	Metering Rod—Primary
49	7041459		Spring—Metering Rod—Primary
50	7044951		Filter Nut—Fuel Inlet
51	7024281		Gasket—Filter Nut
52	5651803		Filter—Fuel Inlet
53	7032732		Spring—Fuel Filter
54	7041474		Aux. Power Piston Assy.
54A	17052816		Aux. Met Rod & Spring Assy.
55	—		Idle Compensator Assembly
56	—		Gasket—Idle Compensator
57	—		Cover—Idle Compensator
58	—		Screw—Cover Attaching
59	7003176		Spring—Idle Stop Screw
60	7002121		Screw—Idle Stop
61	7041471		Insert—Float Bowl
62	7031365		Baffle—Float Bowl
63	7042979		Spring—Pump Return
64	7048867		Pump Assembly
65	7026138		Rod—Pump
66	17053048		A.P.T. Rod Assembly
67	—		Aneroid Assembly
68	7043619		Solenoid & Bracket Assy.
69	7043682		Screw Bracket Attaching
70	NONE	NONE	Bracket—Throttle Return Spring
	THROTTLE BODY PARTS		
71	17052045	17052151	Throttle Body Assembly
72	KIT ONLY		Gasket—Throttle Body
73	7035790		Screw—Throttle Body
74	7048532		Idle Needle
75	7011479		Spring—Idle Needle
76	7041497		Lever—Cam Follower
77	17051494		Spring—Cam Lever
78	7041498		Fast Idle Lever
79	7036079		Screw—Fast Idle Lever Attaching
80	7044794		Screw—Fast Idle Adjusting
81	7029900		Spring—Fast Idle Screw
82	419047		Gasket—Flange